



# FC40R Return Grille Filter

## SPECIFICATION DATA



- **Exclusive frame design nests properly into place.**
- **Low pressure drop reduces strain on equipment, provides a comfortable air flow, and maintains equipment efficiency longer than standard filters.**

## SPECIFICATIONS

### IMPORTANT

*The specifications in this publication do not include normal manufacturing tolerances; therefore, this unit may not exactly match the listed specifications. Also, this product is tested and calibrated under closely controlled conditions, and some minor differences in performance can be expected if those conditions are changed.*

### Efficiency:

(Efficiency Ratings Based on ASHRAE Standard 52.2-1999.)

FC40R Minimum Efficiency Reporting Value (MERV): 10 at 295 fpm.

Initial Efficiency: 31% (0.3-1.0 micron particles).

Initial Efficiency: 86% (3.0-10.0 micron particles).

### Initial Pressure Drop:

FC40R: 0.12 in. wc at 2 cfm per sq. in.

**Temperature Rating:** -40° to 140°F (-40° to 60°C).

**Approvals:** Underwriters Laboratories, Inc.: Listed to UL900, Class 2.

**Accessories:** W8600A AIRWATCH® Indicator (optional).

### Replacement Schedule:

Replace FC40R every 12 months or more often if filter appears dirty enough to block airflow through heating/cooling system.

### Typical Installations:

Installs easily in most brands of return filter grilles. See Fig. 1 for typical installation.

**Dimensions:** See Fig. 2 and Table 1.

## APPLICATION

The Return Grille Filter is a high-efficiency, long-life replacement for return grille applications. It captures a significant amount of the airborne particles in the air that circulate through the filter.

(Resideo recommends allowing a depth of four to seven inches behind the grille to provide space for the deeper filter and airflow through the filter.)

## FEATURES

- **Mounts in most third-party return filter grilles.**
- **Provides high-efficiency alternative to one-inch filter.**
- **Captures particles as small as 0.3 micron.**
- **Pleated filter for greater media capacity.**
- **Easy installation. Pre-assembled filter easily inserts into and out of existing return grille.**



FC40R RETURN GRILLE FILTER

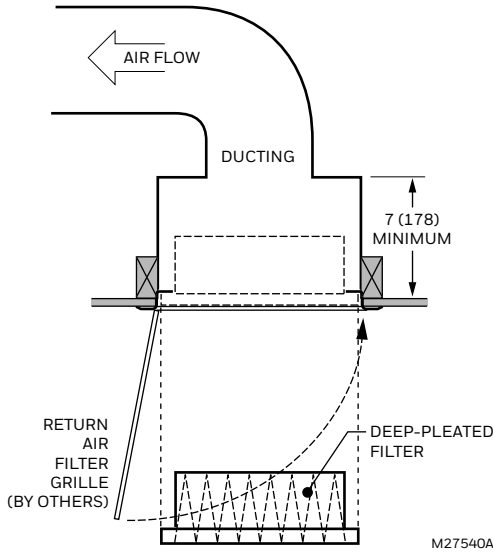


Fig. 1. Typical ceiling installation.

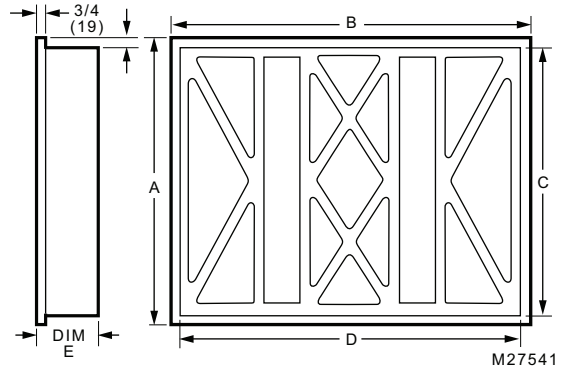


Fig. 2. Dimensions in in. (mm) (see Table 1).

Table 1. FC40R Dimensions (See Fig. 2).

Model Number	Nominal Dimensions in in. (mm)	Dim A in in. (mm)	Dim B in in. (mm)	Dim C in in. (mm)	Dim D in in. (mm)	Dim E in in. (mm)
FC40R1003	20 X 20 (508 x 508)	19-3/4 (502)	19-3/4 (502)	18-1/2 (470)	18-1/2 (470)	3 (76)
FC40R1011	20 X 25 (508 x 635)	19-3/4 (502)	24-3/4 (629)	18-1/2 (470)	23-1/2 (597)	3 (76)
FC40R1029	20 X 30 (508 x 762)	19-3/4 (502)	29-3/4 (756)	18-1/2 (470)	28-1/2 (724)	3 (76)
FC40R1037	12 X 24 (305 X 610)	11-3/4 (298)	23-3/4 (603)	10-1/2 (266)	22-1/2 (571)	3 (76)
FC40R1045	14 X 25 (356 X 635)	13-3/4 (349)	24-3/4 (629)	12-1/2 (317)	23-1/2 (596)	3 (76)
FC40R1052	16 X 20 (406 X 508)	15-3/4 (400)	19-3/4 (502)	14-1/2 (368)	18-1/2 (470)	3 (76)
FC40R1060	16 X 25 (406 X 635)	15-3/4 (400)	24-3/4 (629)	14-1/2 (368)	23-1/2 (596)	3 (76)
FC40R1078	24 X 24 (610 X 610)	23-3/4 (603)	23-3/4 (603)	22-1/2 (571)	22-1/2 (571)	3 (76)
FC40R1094	12 X 12 (305 X 305)	11-3/4 (298)	11-3/4 (298)	10-1/2 (266)	10-1/2 (266)	3 (76)
FC40R1102	14 X 14 (356 X 356)	13-3/4 (349)	13-3/4 (349)	12-1/2 (317)	12-1/2 (317)	3 (76)
FC40R1110	14 X 20 (356 X 508)	13-3/4 (349)	19-3/4 (502)	10-1/2 (266)	18-1/2 (470)	3 (76)
FC40R1128	14 X 24 (356 x 610)	13-3/4 (349)	23-3/4 (603)	12-1/2 (317)	22-1/2 (571)	3 (76)
FC40R1136	18 X 24 (457 x 610)	17-3/4 (451)	23-3/4 (603)	16-1/2 (419)	22-1/2 (571)	3 (76)
FC40R1144	20 X 24 (508 x 610)	19-3/4 (502)	23-3/4 (603)	18-1/2 (470)	22-1/2 (571)	3 (76)
FC40R1169	14 X 30 (356 X 762)	13-3/4 (349)	29-3/4 (756)	12-1/2 (317)	28-1/2 (724)	3 (76)
FC40R1177	24 X 30 (610 X 762)	23-3/4 (603)	29-3/4 (756)	22-1/2 (571)	28-1/2 (724)	3 (76)
FC40R1185	18 X 18 (457 X 457)	17-3/4 (451)	17-3/4 (451)	16-1/2 (419)	16-1/2 (419)	3 (76)
FC40R1830	18 X 30 (457 X 762)	17-3/4 (451)	29-3/4 (756)	16-1/2 (419)	28-1/2 (724)	3 (76)