



Buy it for looks. Buy it for life.®

Specifications

FAUCET DESCRIPTION

- Metal spray face and shell with various finishes identified by suffix
- Brass swivel ball assembly

OPERATION

- Self pressurizing design provides strong performance regardless of line pressure
- Single spray function

FLOW

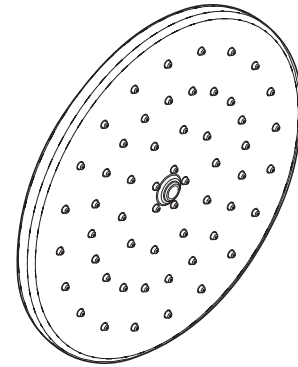
- Showerhead designed to deliver 2.5 gpm (9.5 L/min) at 80 psi
- EP suffix models are limited to 2.0 gpm (7.76 L/min) at 80 psi

STANDARDS

- Third party certified to meet ASME A112.18.1/ CSA B125.1 and all applicable requirements referenced therein
- EP suffix models are IAPMO Green listed and third party certified to WaterSense®

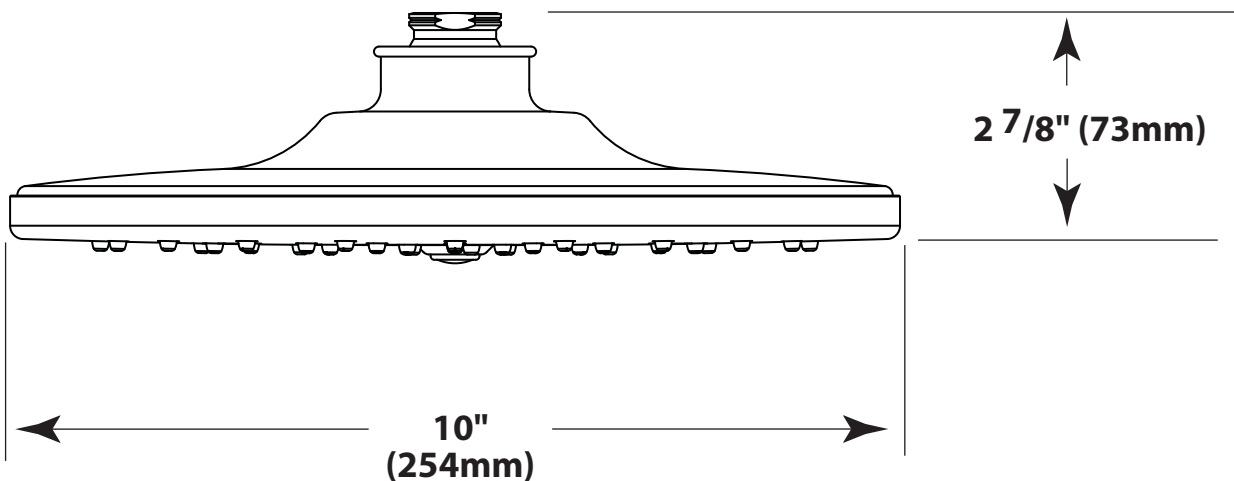
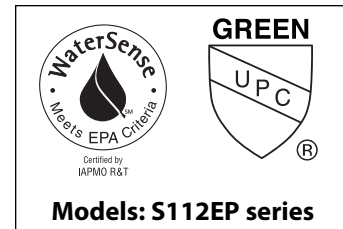
WARRANTY

- Lifetime limited warranty against leaks, drips and finish defects to the original consumer purchaser
- 5 year warranty if used in commercial installations



WATERHILL™
10" Rainfall Showerhead

Models: S112 series



CRITICAL DIMENSIONS

(DO NOT SCALE)