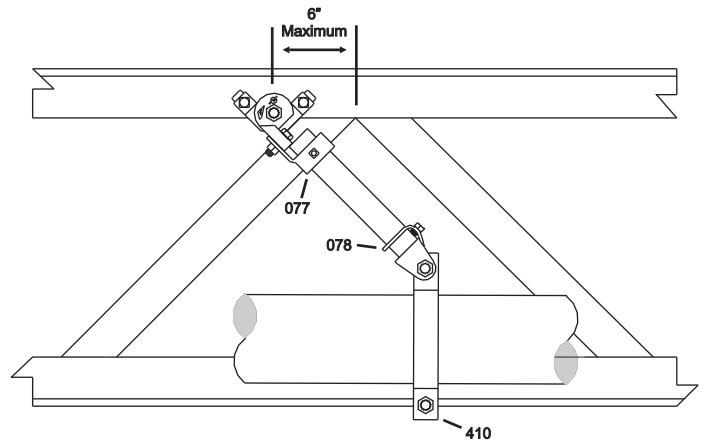
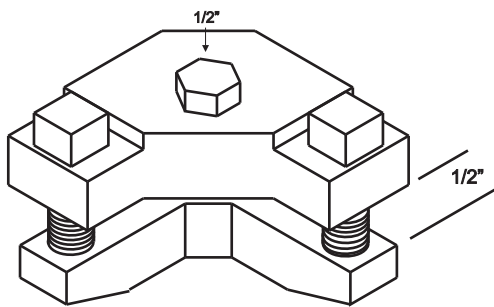




P.O. Box 3365 South El Monte, CA 91733 626.444.0541 Fax 626.444.3887 www.Afcon.org

087

SWAY BRACE ADAPTER



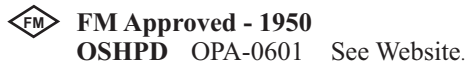
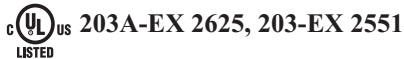
SIZE - 1/2" bolt.

MATERIAL - Carbon Steel or Ductile (Pictured).

FINISH - Plain or E.G.

PATENT - No. 6,629,678.

LISTING/APPROVAL -



FUNCTION - Sway brace adapter for an *AFCON* sway brace assembly.

Designed to attach to the vertical or horizontal flange of a steel structural member.

Sway brace assemblies are intended to be installed in accordance with NFPA 13 and the manufacturer's installation instructions.

Additionally listed as an 6" hanger attachment.

INSTALLATION - Per NFPA 13 and these instructions.

Load rating - see chart.

Combine with proper *AFCON* components- see disclaimer below.

The structural members design will dictate specific attachment criteria.

ASSEMBLY - See drawing.

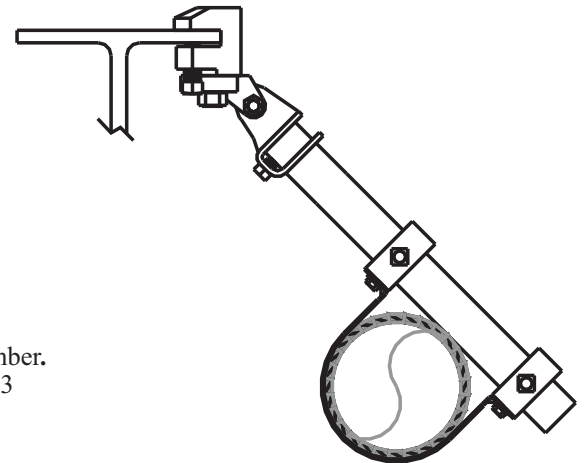
Install set bolts finger tight, then additionally tighten 1/2 turn or torque to 125 inch pounds. Attach *AFCON* sway brace assembly with 1/2" bolt.

FEATURES

* Design conforms to angular geometry at panel point.

* Fits 1/2" max. flange thickness.

ORDERING - Part # and finish.



087D Horizontal Load Ratings	UL LISTED	FM
Parallel 30° thru 90°	2765	3250
Perpendicular 30° thru 90°	2765	4500

087S Horizontal Load Ratings	UL LISTED
Parallel 30° thru 90°	2015
Perpendicular 30° thru 90°	2015

Specific *AFCON* products are exclusively designed to be compatible **ONLY** with other *AFCON* products including parts and fasteners, resulting in a listed sway brace, restrainer or hanger assembly. **Be advised** the following warranty restriction will apply. **DISCLAIMER** - *AFCON* will **NOT** warrant against the failure of its products when used in combination with other products, parts or systems not manufactured or sold by *AFCON*. *AFCON* shall **NOT** be liable under any circumstances whatsoever for any direct or indirect, incidental or consequential damages of any kind, including but not limited to loss of business or profit, when non-*AFCON* products have been, or are used.

