



# Brass Flare Fittings

**Use:** For use with fuel, oil, liquefied petroleum (LP), and natural gas lines. Designed for use with aluminum, copper, brass, and welded steel tubing that can be flared.

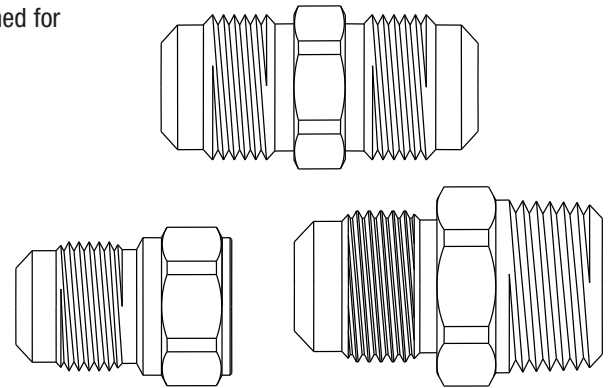
## Design Features

- Recommended for higher pressures than those covered by compression fittings
- Resist mechanical pull out
- Compatible with SAEJ512 or SAEJ513

## Operating Specifications

**Temperature:** -65° – 250° F at maximum operating pressures  
**Working Pressure:** See chart below  
**Vibration:** Good vibration resistance\*

\*Recommend long flare nuts when greater vibration resistance is required



Fitting Material Specifications	
Body	Brass

SKU	Description
PFFCB	Cap 1/4" OD Tube
PFFCD	Cap 1/2" OD Tube
PFFCE	Cap 5/8" OD Tube
PFFPD	Plug 1/2" OD Tube
PFFTD	Tee 1/2" OD Tube x 1/2" OD Tube x 1/2" OD Tube
PFMFECB	Male Reducing Elbow Adaptor 3/8" OD Tube x 1/4" MIP
PFMFECC	Male Elbow 3/8" OD Tube x 3/8" MIP
PFMFEDC	Male Reducing Elbow Adaptor 1/2" OD Tube x 3/8" MIP
PFMFEED	Male Reducing Elbow Adaptor 5/8" OD Tube x 1/2" MIP
PFFUB	Union 1/4" OD Tube x 1/4" OD Tube
PFMFUBB	Male Adaptor 1/4" OD Tube x 1/4" MIP
PFMFUBD	Male Reducing Adaptor 1/4" OD Tube x 1/2" MIP
PFMFUCA	Male Reducing Adaptor 3/8" OD Tube x 1/8" MIP
PFMFUCB	Male Reducing Adaptor 3/8" OD Tube x 1/4" MIP
PFMFUCC	Male Adaptor 3/8" OD Tube x 3/8" MIP
PFMFUCD	Male Reducing Adaptor 3/8" OD Tube x 1/2" MIP
PFMFUCF	Male Reducing Adaptor 3/8" OD Tube x 3/4" MIP
PFMFUDB	Male Reducing Adaptor 1/2" OD Tube x 1/4" MIP
PFFFUDD	Female Adaptor 1/2" OD Tube x 1/2" FIP
PFMUSTLD	Steel Adaptor 1/2" OD Tube x 1/2" MIP
PFMFUDF	Male Reducing Adaptor 1/2" OD Tube x 3/4" MIP

SKU	Description
PFFCC	Cap 3/8" OD Tube
PFFCEFT	Cap 5/8" OD (15/16-16 Thread)
PFFPC	Plug 3/8" OD Tube
PFFTC	Tee 3/8" OD Tube x 3/8" OD Tube x 3/8" OD Tube
PFMFEBB	Male Elbow Adaptor 1/4" OD Tube x 1/4" MIP
PFMBRFECC	Male Elbow Adaptor 3/8" OD Tube x 3/8" MIP
PFMFECD	Male Reducing Elbow Adaptor 3/8" OD Tube x 1/2" MIP
PFMBRFEDD	Male Elbow Adaptor 1/2" OD Tube x 1/2" MIP
PFMFEFF	Male Elbow 3/4" OD Tube x 3/4" MIP
PFMFUBA	Male Reducing Adaptor 1/4" OD Tube x 1/8" MIP
PFMFUBC	Male Reducing Adaptor 1/4" OD Tube x 3/8" MIP
PFFUC	Union 3/8" OD Tube x 3/8" OD Tube
PFFFUCB	Female Reducing Adaptor 3/8" OD Tube x 1/4" FIP
PFFFUCC	Female Adaptor 3/8" OD Tube x 3/8" FIP
PFFFUCD	Female Reducing Adaptor 3/8" OD Tube x 1/2" FIP
PFFUCD	Reducing Union 1/2" OD Tube x 3/8" OD Tube
PFFUD	Union 1/2" OD Tube x 1/2" OD Tube
PFMFUDC	Male Reducing Adaptor 1/2" OD Tube x 3/8" MIP
PFMFUDD	Male Adaptor 1/2" OD Tube x 1/2" MIP
PFFFUDF	Female Reducing Adaptor 1/2" OD Tube x 3/4" FIP
PFFFU516B	Female Reducing Adaptor 5/16" OD Tube x 1/4" FIP



# Brass Flare Fittings

<b>PFFUE</b>	Union 5/8" OD Tube x 5/8" OD Tube
<b>PFOMFUED</b>	Male Reducing Adaptor 5/8" OD Tube x 1/2" MIP
<b>PFOMFUEF</b>	Male Reducing Adaptor 5/8" OD Tube x 3/4" MIP
<b>PFMFU78F</b>	Male Reducing Adaptor 7/8" OD Tube x 3/4" MIP
<b>PFSFNC</b>	Short Nut 3/8" OD Tube
<b>PFSFNE</b>	Short Nut 5/8" OD Tube
<b>PFSFN78</b>	Short Nut 7/8" OD Tube
<b>PFSNVCD</b>	Swivel Nut Valve Connector 1/2" OD Tube x 1/2" OD Tube
<b>PFSRFNFC</b>	Short Refrigeration Flare Nut Forged 3/8" OD Tube
<b>PFSRFNFE</b>	Short Refrigeration Flare Nut Forged 5/8" OD Tube

<b>PFOFFUED</b>	Female Reducing Adaptor 5/8" OD Tube x 1/2" FIP
<b>PFFUED</b>	Reducing Union 5/8" OD Tube x 1/2" OD Tube
<b>PFMFUFF</b>	Male Adaptor 3/4" OD Tube x 3/4" MIP
<b>PFSFNB</b>	Short Nut 1/4" OD Tube
<b>PFSFND</b>	Short Nut 1/2" OD Tube
<b>PFSFNF</b>	Short Nut 3/4" OD Tube
<b>PFSNVCC</b>	Swivel Nut Valve Connector 3/8" OD Tube x 3/8" OD Tube
<b>PFSRFNB</b>	Short Refrigeration Flare Nut Forged 1/4" OD Tube
<b>PFSRFNFD</b>	Short Refrigeration Flare Nut Forged 1/2" OD Tube

## MAXIMUM WORKING PRESSURES

Service Conditions	Tube OD	Type of Tubing and Wall Thickness (Inches)									
		Copper – Dead Soft (Seamless)					Copper – Half Hard (Seamless)				
		.030"	.032"	.035"	.049"	.065"	.032"	.035"	.042"	.049"	.065"
Safety Factor 4-1	1/8	4300		5000			5000				
	3/16	2850		3300			3400				
	1/4	2100	2250	2500			2500				
	5/16		1800	2000			2000				
	3/8		1500	1650			1700	1850			
	1/2		1100	1250		2000	1250	1400			2600
	5/8			1000	1400	1800	1000			1500	2000
	3/4			850	1150	1500			1100		1700
	7/8									1100	1500
Safety Factor 6-1	1/8	2800		3350			3400				
	3/16	1900		2200			2250				
	1/4	1430	1500	1650			1700				
	5/16		1200	1300			1350				
	3/8		100	1100			1100	1200			
	1/2		750	825		1550	850	925			1750
	5/8			650	930	1200	675			1000	1350
	3/4			550	775	1000			725		1100
	7/8									750	1000