

## Series 749 FireLock® Auto Drain

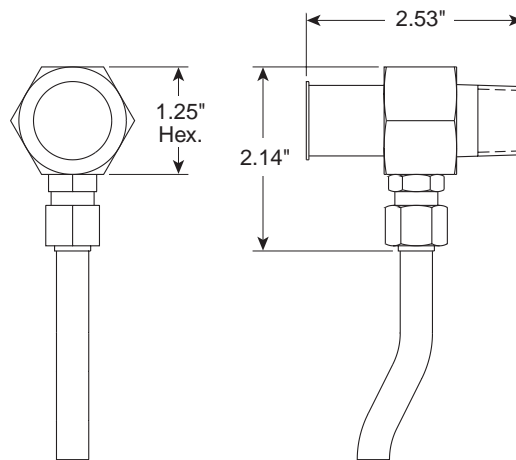
### PRODUCT DESCRIPTION



The Victaulic® Series 749 Auto Drain is used in Series 756 Dry and Series 758 Actuated valves that have either a Series 753/753-A Dry Actuator or a Normally Closed solenoid valve. Once tripped, the Auto Drain constantly drains the piston charge line, preventing the piston from repressurizing. The Auto Drain remains open until it is manually reset during the valve resetting procedure.



### DIMENSIONS



### OPERATION

The Series 749 Auto Drain is located in the trim, on the piston charge line between the restricted orifice and the actuating device (either a Series 753/753-A Dry Actuator or a Normally Closed Solenoid Valve). In the Auto Drain's set condition, water pressure in the piston charge line holds the Auto Drain's seal in the closed position. When a Series 756 Dry or 758 Actuated Valve operates, water pressure in the piston charge line is released. When the pressure in the piston charge line decays to less than 5 PSI, the Auto Drain opens, completely draining the piston. The Auto Drain is designed to not automatically reset when used with water pressures between 5 and 300 PSI. The Auto Drain needs to be manually reset while pressurizing the piston charge line.

**MATERIAL SPECIFICATIONS**

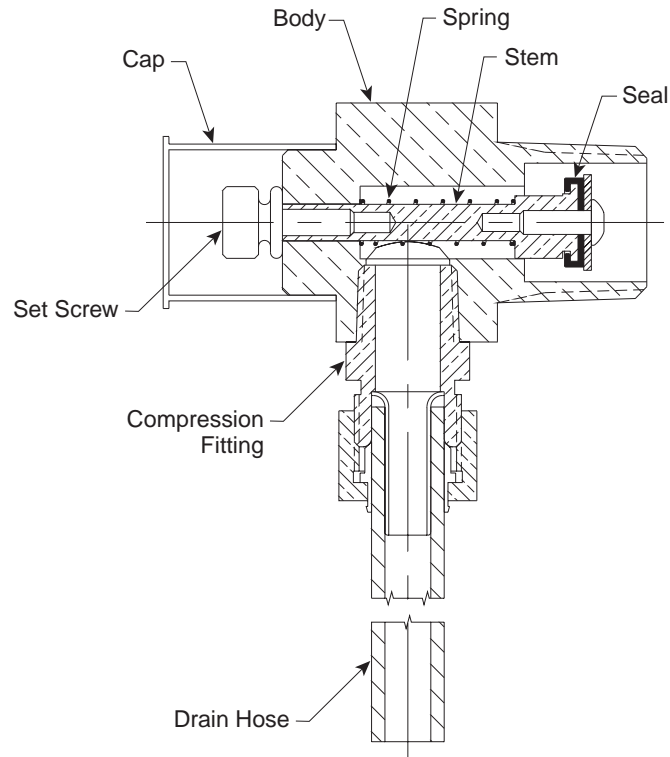
**Body, Stem, Compression Fitting, Seal Retainer, Set Screw:** Brass

**Seal:** EPDM

**Spring and Fasteners:** Stainless steel

**Protective Cap:** Low density polyethylene

**Drain Hose:** PVC



This product shall be manufactured by Victaulic Company. All products to be installed in accordance with current Victaulic installation/assembly instructions. Victaulic reserves the right to change product specifications, designs and standard equipment without notice and without incurring obligations.