

For Commercial Applications

Job Name _____

Contractor _____

Job Location _____

Approval _____

Engineer _____

Contractor's P.O. No. _____

Approval _____

Representative _____

Tag _____

SS Series

Stainless Steel Shock Arrestors

Specification

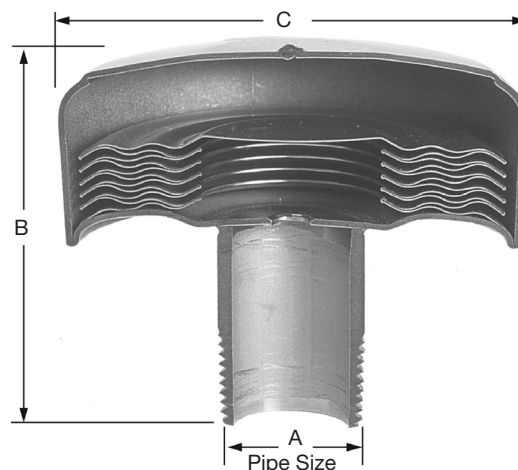
Watts SS Series pre-charged all stainless steel shock arrestor with stainless steel bellows, and male IPS threaded connection.

Operating Pressure: Designed to operate on all domestic and commercial lines up to 150 psi working pressure, 250 psi static pressure.

Temperature Range: 100°F to 300°F (-73°C to 149°C)

Installation

May be installed in new or existing plumbing systems with a standard pipe tee vertically, horizontally or at any angle. SS Series are factory air charged and permanently sealed. They may be installed in concealed locations without access panels and are not rechargeable in the field.



Pipe Size (Select One)		
Suffix	Description	
A	3/4"(19) Connection	<input type="checkbox"/>
B	1"(25) Connection	<input type="checkbox"/>
C	1"(25) Connection	<input type="checkbox"/>
D	1"(25) Connection	<input type="checkbox"/>
E	1"(25) Connection	<input type="checkbox"/>
F	1"(25) Connection	<input type="checkbox"/>

Description	Technical Date					
	SS-A	SS-B	SS-C	SS-D	SS-E	SS-F
Fixture Unit	1-11	12-32	33-60	61-113	114-154	155-330
"A" Connection	3/4"(19)	1"(25)	1"(25)	1"(25)	1"(25)	1"(25)
"B" Height	3 3/16"(81)	4"(102)	4 5/16"(110)	5 1/4"(133)	7"(178)	7"(178)
"C" Diameter	3 1/4"(83)	3 1/4"(83)	3 1/4"(83)	3 1/4"(83)	3 1/4"(83)	3 1/4"(83)

Note: Product is US Buy American Compliant

NOTICE

The information contained herein is not intended to replace the full product installation and safety information available or the experience of a trained product installer. You are required to thoroughly read all installation instructions and product safety information before beginning the installation of this product.

Approvals:



Note: Complies with PDI WH201

Watts product specifications in U.S. customary units and metric are approximate and are provided for reference only. For precise measurements, please contact Watts Technical Service. Watts reserves the right to change or modify product design, construction, specifications, or materials without prior notice and without incurring any obligation to make such changes and modifications on Watts products previously or subsequently sold.



USA: T: (800) 338-2581 • F: (828) 248-3929 • Watts.com

Canada: T: (888) 208-8927 • F: (888) 479-2887 • Watts.ca

Latin America: T: (52) 55-4122-0138 • Watts.com