

SUBMITTAL SHEET

JOB NAME		ITEM TAG
JOB LOCATION		PART NUMBER
CONTRACTOR	DATE	
ENGINEER APPROVAL	DATE	

CPVC COMPACT-PATTERN BALL VALVE WITH DRAIN FOR CPVC CTS BONE-COLORED TUBING

S-606

Constructed of heavy-duty, corrosion-proof, virgin CPVC resin.
 Full-port, solid-ball design minimizes pressure-drop.
 PTFE seats and EPDM stem O-ring assure maintenance-free operation and maximum service life.
 Compact-pattern molded-in-place bone-colored body and one-piece ball-stem design, provide exceptional resistance to wear and to tubing stress distortion.
 Designed and certified for installation onto Copper-Tube-Size (CTS) CPVC tubing, potable hot and cold water plumbing and commercial plumbing applications.
 Equipped with a drain port and plug, permitting line drain-down water removal for maintenance or winterization.
 Not suitable for use with petroleum-based medias or compressed-air service.
 Solvent-weld end connection types, available in Nominal Copper-Tube-Sizes 1/2" to 1".

Working Pressure, Non Shock (PSI)

Cold Working Pressure (CWP): 150 psi @ 73°F
 Working Steam Pressure (WSP): Not suitable for steam service
 Maximum service temperature: 180°F

DIMENSIONS - Inch						
Nominal CTS	A	B	C	D	E	F
1/2"	2.68	2.05	1.26	1.42	2.36	0.49
3/4"	3.27	2.56	1.57	1.77	2.76	0.72
1"	3.78	3.23	2.05	2.20	3.46	0.94

MATERIAL SPECIFICATION		
PART	MATERIAL	SPECIFICATION
1 One-piece body	CPVC resin	ASTM D1784, Class 23447
2 Seats (2)	PTFE elastomer	Commercial grade
3 One-piece ball-stem	CPVC resin	ASTM D1784, Class 23447
4 Stem O-ring	EPDM elastomer	Commercial grade
5 Handle	ABS resin	Impact grade
6 Handle retaining screw	Zinc-plated steel	ASME B18.6.7M
7 Screw cover	ABS resin	Impact grade
8 Waste plug	CPVC resin	ASTM D1784, Class 23447
9 Plug O-Ring (not shown)	EPDM elastomer	Commercial grade

Certifications/Listings:

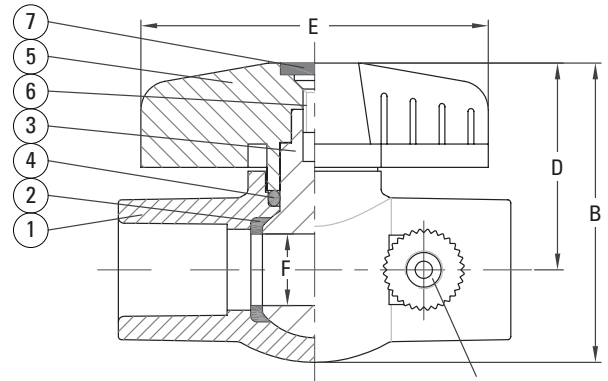
Third-party Certified
 NSF/ANSI 61: Drinking Water System Components - Health effects.
 NSF/ANSI 14: Plastic Piping System Components and Related Materials
 NSF/ANSI 372: Drinking Water System Components - Lead content

Standards:

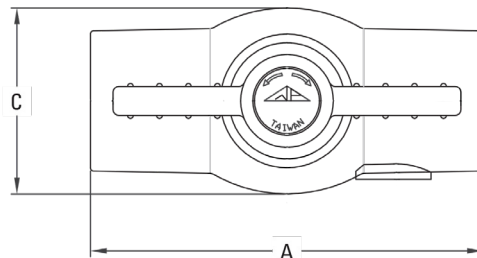
ASTM F1970: Standard Specification for Special Engineered Fittings, Appurtenances or Valves for use in Poly (Vinyl Chloride) (PVC) or Chlorinated Poly (Vinyl Chloride) (CPVC) Systems.
 ASTM D2846: Standard Specification for Chlorinated Poly(Vinyl Chloride) (CPVC) Plastic Hot- and Cold-Water Distribution Systems.
 ASTM D1784: Standard Specification for Rigid Poly (Vinyl Chloride) (PVC) Compounds and Chlorinated Poly (Vinyl Chloride) (CPVC) Compounds.



Pictured:
S-606



8 & 9 Pictured:
S-606, 1/2" - 1"
Cut-away view



Pictured:
S-606, 1/2" - 1"
Top view