



# RCHA

Parts List  
13-September-2016



*This parts list is current as of the above revision date.  
See <http://www.rheempartslists.net/92-42801-RCHA.pdf> for the current revision.*

Coils

# Table of Contents

Model Explanation.....	Page 3
<b>Parts Numbers</b>	
Replacement Parts .....	Page 4
Accessories .....	Page 5
<b>Drawings/Photographs</b>	
Exploded View .....	Page 6
Flow Check Piston Assembly .....	Page 6
Notes .....	Page 7

**MODEL NUMBER EXPLANATION**

<b>R</b>	<b>C</b>	<b>H</b>	<b>A</b>	<b>-</b>	<b>3</b>	<b>6</b>	<b>A</b>	<b>1</b>	<b>A</b>	<b>D</b>	<b>1</b>	<b>4</b>	<b>A</b>
<b>1</b>	<b>2</b>	<b>3</b>	<b>4</b>		<b>5</b>	<b>6</b>	<b>6</b>	<b>1</b>	<b>7</b>	<b>8</b>	<b>9</b>	<b>4</b>	<b>10</b>

<p><b>1 TRADEBRAND IDENTIFICATION</b></p> <p><b>2 MODEL</b> C - Coil</p> <p><b>3 TYPE</b> H = Type of Coil (H=Expansion Valve Heat Pump)</p> <p><b>4 DESIGN SERIES / VARIATION</b> A = First Design</p> <p><b>5 NOMINAL CAPACITY</b> 24 = 18,000-24,000 BTU/HR 36 = 30,000-36,000 BTU/HR 48 = 42,000 BTU/HR 60 = 60,000 BTU/HR</p> <p><b>6 METERING DEVICE</b> A1 or A2 = TX Valve</p> <p><b>7 REFRIGERANT CONNECTIONS</b> A = Side Connections G = Front Connections</p>	<p><b>8 AIRFLOW</b> <b>"A" CONNECTION (SIDE)</b> U = Upflow/Downflow - Left D = Upflow/Downflow - Right L = Horizontal - Left - Top R = Horizontal - Right - Top S = Upflow/Downflow - Left or Right <b>"G" CONNECTION (FRONT)</b> G = Upflow/Downflow H = Horizontal - Left Z = Horizontal - Right</p> <p><b>9 COIL CASING</b> 14 = 14.0" 17 = 17.5" 21 = 21.0" 24 = 24.5"</p> <p><b>10 VARIATION</b> Blank = None A = Filter/Filter Rack X = Unit has Insulation</p>
---	--

**SERIAL NUMBER EXPLANATION**

<b>F</b>	<b>2</b>	<b>6</b>	<b>0</b>	<b>2</b>	<b>0</b>	<b>0</b>	<b>0</b>	<b>0</b>	<b>1</b>
<b>1</b>	<b>2</b>	<b>3</b>	<b>4</b>						

<p><b>1</b></p> <p><b>2</b></p> <p><b>3</b></p> <p><b>4</b></p>	<p><b>PRODUCTION LOCATION</b> F = Fort Smith, AR M = Milledgeville, GA</p> <p><b>WEEK OF MANUFACTURE</b></p> <p><b>YEAR OF MANUFACTURE</b></p> <p><b>SEQUENTIAL PRODUCTION NUMBER</b></p>
---	---

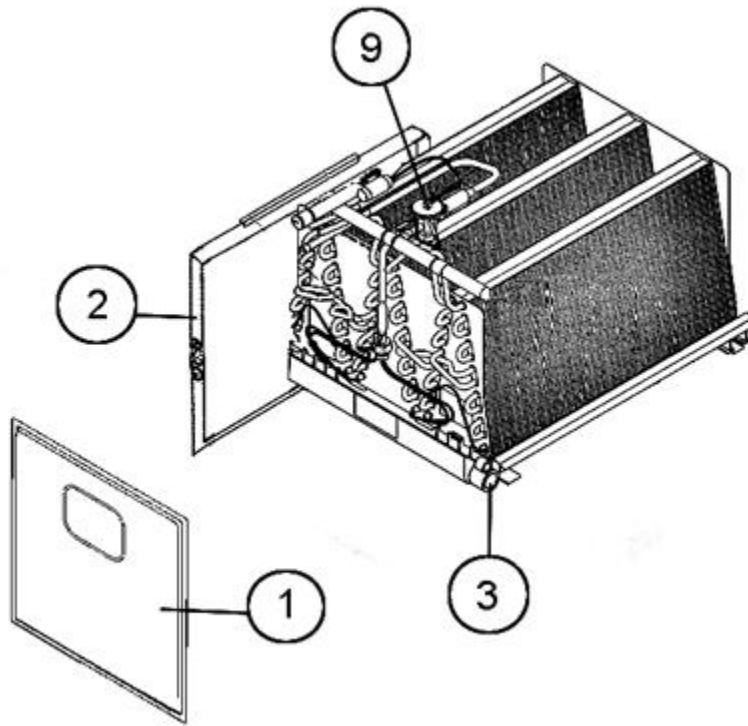
No.	Notes	MODEL NOMINAL CAPACITY REFRIGERANT CONNECTION	RCHA 24 A	RCHA 36 A	RCHA 48 A	RCHA 60 A
<b>DOOR, DRAIN PAN PARTS</b>						
1		Door Panel (14 In.)	AS-58380-01	N/A	N/A	N/A
1		Door Panel (17 In.)	N/A	AS-58380-04	N/A	N/A
1		Door Panel (21 In.)	N/A	AS-58380-08	AS-58380-08	N/A
1		Door Panel (24 In.)	N/A	N/A	N/A	AS-58380-13
2	Stk	New Vertical Drain Pan	68-101805-05	68-101805-06	68-101805-07	68-101805-08
		3/4 In. PVC Drain Connector	68-23534-04	68-23534-04	68-23534-04	68-23534-04
		3/4 In. PVC Street Elbow	68-23534-01	68-23534-01	68-23534-01	68-23534-01

No.	Notes	MODEL NOMINAL CAPACITY REFRIGERANT CONNECTION	RCHA 24 G	RCHA 36 G	RCHA 48 G	RCHA 60 G
<b>DOOR, DRAIN PAN PARTS</b>						
1		Door Panel (14 In.) - Before 7/01/01	AS-58380-18	N/A	N/A	N/A
1		Door Panel (14 In.) - 7/1/01 to 12/8/01	AE-59439-04	N/A	N/A	N/A
1		Door Panel (14 In.) - After 12/8/01	AE-100314-01	N/A	N/A	N/A
1		Door Panel (17 In.) - Before 7/01/01	AS-58380-19	AS-58380-19	N/A	N/A
1		Door Panel (17 In.) - 7/1/01 to 12/8/01	AE-59440-04	AE-59440-04	N/A	N/A
1		Door Panel (17 In.) - After 12/8/01	AE-100314-02	AE-100314-02	N/A	N/A
1		Door Panel (21 In.) - Before 7/01/01	AS-58380-20	AS-58380-20	AS-58380-20	N/A
1		Door Panel (21 In.) - 7/1/01 to 12/8/01	AE-59441-04	AE-59441-04	AE-59441-04	N/A
1		Door Panel (21 In.) - After 12/8/01	AE-100314-03	AE-100314-03	AE-100314-03	N/A
1		Door Panel (24 In.) - Before 7/01/01	N/A	N/A	AS-58380-21	AS-58380-21
1		Door Panel (24 In.) - 7/1/01 to 12/8/01	N/A	N/A	AE-59442-04	AE-59442-04
1		Door Panel (24 In.) - After 12/8/01	N/A	N/A	AE-100314-04	AE-100314-04
2	Stk	Vertical Drain Pan	68-101805-05	68-101805-06	68-101805-07	68-101805-08
		3/4 In. PVC Drain Connector	68-23534-04	68-23534-04	68-23534-04	68-23534-04
		3/4 In. PVC Street Elbow	68-23534-01	68-23534-01	68-23534-01	68-23534-01

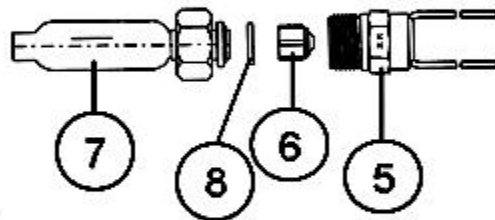
No.	Notes	MODEL NOMINAL CAPACITY REFRIGERANT CONNECTION	RCHA 24 A1A/A1G	RCHA 36 A1A/A1G	RCHA 48 A1A/A1G	RCHA 60 A1A/A1G
<b>METERING SECTION</b>						
4	Stk	Flowcheck/Piston Assembly	61-26104-09	61-26106-14	61-26108-14	61-26110-15
5		Distributor	61-27100-15	61-27100-29	61-27100-43	61-27100-58
6	Stk	Piston Kit	61-25414-09	61-25414-14	61-25414-14	61-25414-15
7		Strainer	83-26020-01	83-26020-01	83-26020-01	83-26020-01
8		TFE Washer	68-25024-01	68-25024-01	68-25024-01	68-25024-01
9	Stk,1	TXV - See Note 1 (Rotolock Inlet - 3/8 Sweat Outlet)	61-26190-01	61-26190-03	61-26190-05	61-26019-03
9	Stk,1	TXV - See Note 1 (Rotolock Inlet - 3/8 Sweat Outlet)	61-26018-06	61-26018-05	61-26018-19	61-26018-03
9	Stk,2	TXV - See Note 2 (3/8 Sweat O.D. Inlet/Outlet)	61-21922-34	61-21922-36	61-21922-37	61-21922-38

No.	Notes	MODEL NOMINAL CAPACITY REFRIGERANT CONNECTION	RCHA 24 A2A/A2G	RCHA 36 A2A/A2G		
<b>METERING SECTION</b>						
4	Stk	Flowcheck/Piston Assembly	61-26104-12	61-26106-14		
5		Distributor	61-27100-15	61-27100-29		
6	Stk	Piston Kit	61-25414-12	61-25414-14		
7		Strainer	83-26020-01	83-26020-01		
8		TFE Washer	68-25024-01	68-25024-01		
9	Stk,1	TXV - See Note 1 (Rotolock Inlet - 3/8 Sweat Outlet)	61-26190-02	61-26190-04		
9	Stk,1	TXV - See Note 1 (Rotolock Inlet - 3/8 Sweat Outlet)	61-26018-04	61-26018-21		
9	Stk,2	TXV - See Note 2 (3/8 Sweat O.D. Inlet/Outlet)	61-21922-35	N/A		

No.	Notes	MODEL NOMINAL CAPACITY	RCHA 24	RCHA 36	RCHA 48	RCHA 60
<b>ACCESSORIES</b>						
3		Horizontal Drain Pan	RXBD-CA	RXBD-CA	RXBD-CA	RXBD-CA
3		Horizontal Drain Pan w/Extension Assembly	RXBD-DA	RXBD-DA	RXBD-DA	RXBD-DA



Exploded View



Flow Check Piston Assembly

# NOTES

Stk It is recommended that stock be maintained for this part.

N/A Not Applicable

- 1 The valves specified for this unit may be interchanged in service. The valves are interchangeable for this specific model only.
- 2 Some early coils were supplied with 3/8 Sweat O.D. Inlet/Outlet fittings. Order accordingly.