

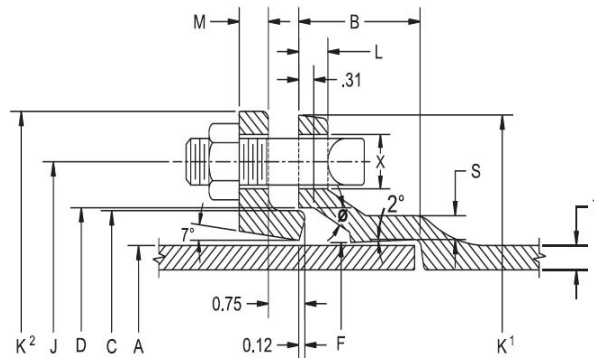
DOMESTIC

NON-DOMESTIC

SUBMITTAL: C153 MECHANICAL JOINT PRODUCT

(Current revisions for the noted Standards apply)

- SIZES:** 2" - 64" (2" not included in ANSI/AWWA C153 standard)
- STANDARDS:** ANSI/AWWA C153/A21.53, NFPA13/24, 3"-16" UL and 3"-10" FM listed & approved (File - Tyler Union)
- MATERIAL:** Cast of ASTM A536 qualified ductile iron. Date code is cast on and required for traceability.
- PRESSURE RATING:** *Flanged fittings rated at 250 psi. Mechanical joints 2" – 24" rated at 350 psi and 30" – 48" at 250 psi.
*Note: With rubber annular ring flange gasket, 2" – 24" Flanged fittings can be rated at 350 psi.
Note: Wyes over 12" are not pressure rated. Contact Tyler Union for rating in your application.
- DEFLECTION:** Joint deflection 5° max for 2"– 12" and 3° max for 14"– 48". Reduces by 50% at nominal pipe & fitting diameters
- NSF-61 & NSF372:** Meets all requirements including Annex G, Tyler Union's Underwriters Laboratory listing MH16439.
- ASPHALT COATING:** Per ANSI/AWWA C104/A21.4 and ANSI/AWWA C153/A21.53.
- CEMENT LINING:** Per ANSI/AWWA C104/A21.4, with double cement lining available upon request.
- EPOXY COATING:** Fusion bonded epoxy per ANSI/AWWA C116/A21.16. Additional coatings available upon request.
- BARE FITTINGS:** Available upon request.
- FASTNERS:** High strength low alloy weathering steel per ANSI/AWWA C111/A21.11 and ASTM A242
- INSTALLATION:** Install per AWWA C600/C651 using pipe conforming to ANSI/AWWA C151/A21.51 or AWWA C900/905.



NOMINAL JOINT DIMENSIONS IN INCHES

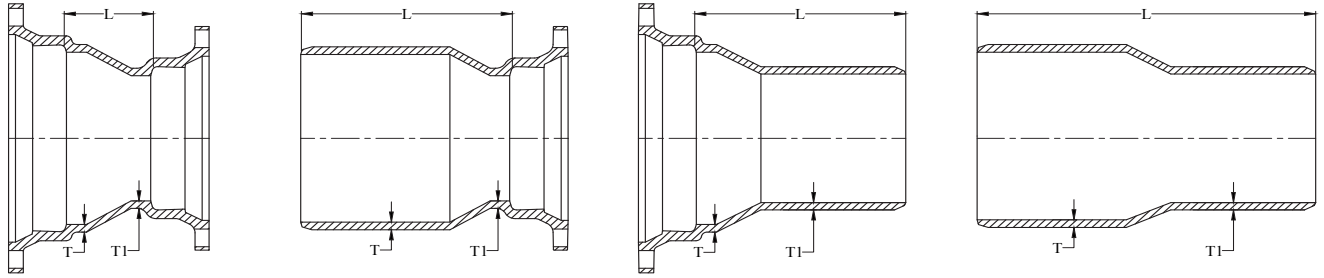
BOLTS

Size Inches	A Dia. DI Pipe	B Hub Depth	C Dia. GLAND	D Dia.	F Dia.	J Dia. GLAND	K ¹ Dia.	K ² Dia. GLAND	L	M GLAND	S	T	X	Size	Qty.
2	2.51	2.50	3.50	3.60	2.61	4.75	6.19	6.89	0.58	0.62	0.36	0.30	3/4	5/8x3	2
3	3.96	2.50	4.84	4.94	4.06	6.19	7.62	7.69	0.58	0.62	0.39	0.33	3/4	5/8x3	4
4	4.80	2.50	5.92	6.02	4.90	7.50	9.06	9.12	0.60	0.75	0.39	0.34	7/8	3/4x3-1/2	4
6	6.90	2.50	8.02	8.12	7.00	9.50	11.06	11.12	0.63	0.88	0.43	0.36	7/8	3/4x3-1/2	6
8	9.05	2.50	10.17	10.27	9.15	11.75	13.31	13.37	0.66	1.00	0.45	0.38	7/8	3/4x4	6
10	11.10	2.50	12.22	12.34	11.20	14.00	15.62	15.62	0.70	1.00	0.47	0.40	7/8	3/4x4	8
12	13.20	2.50	14.32	14.44	13.30	16.25	17.88	17.88	0.73	1.00	0.49	0.42	7/8	3/4x4	8
14	15.30	3.50	16.40	16.54	15.44	18.75	20.31	20.25	0.79	1.25	0.55	0.47	7/8	3/4x4-1/2	10
16	17.40	3.50	18.50	18.64	17.54	21.00	22.56	22.50	0.85	1.31	0.58	0.50	7/8	3/4x4-1/2	12
18	19.50	3.50	20.60	20.74	19.64	23.25	24.83	24.75	1.00	1.38	0.68	0.54	7/8	3/4x4-1/2	12
20	21.60	3.50	22.70	22.84	21.74	25.50	27.08	27.00	1.02	1.44	0.69	0.57	7/8	3/4x4-1/2	14
24	25.80	3.50	26.90	27.04	25.94	30.00	31.58	31.50	1.02	1.56	0.75	0.61	7/8	3/4x5	16
30	32.00	4.50	33.29	33.46	32.17	36.88	39.12	39.12	1.31	2.00	0.82	0.66	1-1/8	1x6	20
36	38.30	4.50	39.59	39.76	38.47	43.75	46.00	46.00	1.45	2.00	1.00	0.74	1-1/8	1x6	24
42	44.50	4.50	45.79	45.96	44.67	50.62	53.12	53.12	1.45	2.00	1.25	0.82	1-3/8	1-1/4x6-1/2	28
48	50.80	4.50	52.09	52.26	50.97	57.50	60.00	60.00	1.45	2.00	1.35	0.90	1-3/8	1-1/4x6-1/2	32
54	Available on Request														
60	Available on Request														
64	Available on Request														

Anniston: 1501 W 17th St. • Anniston, AL 36201 • (800) 226-7601
Corona: 1001 El Camino Ave. • Corona, CA 92879 • (866) 527-8471
Tyler: 11910 CR 492 • Tyler, Texas 75706 • (800) 527-8478
Dallas: 1201 Ave. S. Suite100 • Grande Prairie, TX 75050

Elmer: 701 Kenyon Ave. • Elmer, New Jersey 03318
New Lenox: 2200 West Haven • New Lenox, IL 60451
Portland: 15670 N. Lombard St. • Portland, OR 97203
Oxford: 1800 Greenbrier Dear Road • Anniston, AL 36207

C153 DUCTILE IRON COMPACT FITTINGS



MJxMJ			PExMJ-SEB								MJ-LEBxPE				PExPE											
Size			Domestic								Import															
			MJ				SEB				Weight				MJ		SEB		LEB		PE			Weight		
	T	T1	L	L	L	L	MJ	SEB	LEB	PE	T	T1	L	L	L	L	MJ	SEB	LEB	PE	MJ	SEB	LEB	PE		
4x3	0.35	0.34	3.00	8.50	8.50	14.00	18	17	17	18	0.34	0.33	3.00	8.50	8.50	14.00	18	17	18	14						
6x3	0.37	0.34	5.00	10.50	10.50	16.00	28	25	27	20	0.36	0.33	5.00	10.50	10.50	16.00	22	24	19	16						
6x4	0.37	0.35	4.00	9.50	9.50	15.00	28	26	27	26	0.36	0.34	4.00	9.50	9.50	15.00	24	25	25	22						
8x4	0.39	0.35	5.00	10.50	10.50	16.00	36	34	36	33	0.38	0.34	5.00	10.50	10.50	16.00	32	30	34	30						
8x6	0.39	0.37	4.00	9.50	9.50	15.00	39	38	39	30	0.38	0.36	4.00	9.50	9.50	15.00	36	35	32	30						
10x4	0.41	0.35	7.00	12.50	12.50	18.00	53	46	51	-	0.40	0.34	7.00	12.50	12.50	18.00	46	43	43	46						
10x6	0.41	0.37	5.00	10.50	10.50	16.00	59	48	52	49	0.40	0.36	5.00	10.50	10.50	16.00	47	46	42	46						
10x8	0.41	0.39	4.00	9.50	9.50	15.00	54	52	52	47	0.40	0.38	4.00	9.50	9.50	15.00	50	42	50	47						
12x4	0.43	0.35	9.00	14.50	14.50	20.00	67	61	68	60	0.42	0.34	9.00	14.50	14.50	20.00	58	60	60	58						
12x6	0.43	0.37	7.00	12.50	12.50	18.00	64	58	66	54	0.42	0.36	7.00	12.50	12.50	18.00	58	58	58	57						
12x8	0.43	0.39	5.00	10.50	10.50	16.00	57	62	65	60	0.42	0.38	5.00	10.50	10.50	16.00	57	54	55	54						
12x10	0.43	0.41	4.00	9.50	9.50	15.00	63	61	65	57	0.42	0.40	4.00	9.50	9.50	15.00	61	59	59	54						
14x6	0.51	0.44	9.00	17.00	14.50	22.50	104	107	112	-	0.47	0.36	9.00	16.90	14.50	22.30	100	100	104	93						
14x8	0.51	0.45	7.00	15.00	12.50	20.50	104	107	108	-	0.47	0.38	7.00	14.90	12.40	20.30	100	98	98	94						
14x10	0.51	0.46	5.00	13.00	10.50	18.50	100	102	100	-	0.47	0.40	5.00	12.90	10.40	18.30	100	94	92	90						
14x12	0.51	0.47	4.00	12.00	9.50	17.50	100	101	100	100	0.47	0.42	4.00	11.90	9.40	17.30	100	90	92	88						
16x6	0.52	0.45	11.00	19.00	16.50	24.50	132	131	141	128	0.50	0.36	11.00	18.90	16.50	24.30	124	125	136	93						
16x8	0.52	0.46	9.00	17.00	14.50	22.50	136	128	136	136	0.50	0.38	9.00	16.90	14.40	22.30	124	121	128	119						
16x10	0.52	0.47	7.00	15.00	12.50	20.50	128	124	128	123	0.50	0.40	7.00	15.00	12.50	20.50	124	105	123	119						
16x12	0.52	0.48	5.00	13.00	10.50	18.50	120	123	119	11	0.50	0.42	5.00	12.90	10.50	18.30	112	109	108	99						
16x14	0.52	0.51	4.00	12.00	12.00	20.00	140	139	138	133	0.50	0.47	4.00	12.00	12.00	19.70	140	126	132	129						
18x8	0.59	0.45	14.00	22.00	19.50	27.50	201	180	195	-	0.54	0.38	13.00	20.00	19.50	27.40	190	170	195	170						
18x10	0.59	0.47	12.00	20.00	17.50	25.50	196	180	185	-	0.54	0.40	10.00	18.00	17.40	25.50	195	165	185	160						
18x12	0.59	0.49	10.00	18.00	15.50	23.50	175	170	190	-	0.54	0.42	7.00	15.50	14.00	19.50	180	150	175	150						
18x14	0.59	0.56	8.00	16.00	16.00	24.00	180	181	200	-	0.54	0.47	6.00	15.00	15.00	23.00	190	175	190	160						
18x16	0.59	0.57	7.00	15.00	15.00	23.00	194	180	190	-	0.54	0.50	5.00	12.50	12.50	18.00	195	170	190	145						
20x10	0.60	0.47	14.00	22.00	19.40	27.50	225	210	210	-	0.57	0.40	14.00	22.00	19.00	27.50	220	200	210	180						
20x12	0.60	0.49	12.00	20.00	17.50	25.50	214	208	210	-	0.57	0.42	12.00	17.50	16.00	21.50	205	170	205	190						
20x14	0.60	0.56	10.00	18.00	17.80	26.00	208	198	205	-	0.57	0.47	10.00	18.00	17.90	26.00	200	190	205	195						
20x16	0.60	0.57	8.00	16.00	15.80	24.00	225	215	222	-	0.57	0.50	7.00	13.50	13.50	19.00	200	200	185	170						
20x18	0.60	0.59	7.00	15.00	15.00	23.00	233	220	-	-	0.57	0.54	4.00	12.00	12.00	20.00	225	200	215	190						
24x12	0.62	0.49	16.00	24.00	21.40	29.50	320	302	300	-	0.61	0.42	16.00	21.50	21.00	22.50	305	275	290	240						
24x14	0.62	0.56	14.00	22.00	21.80	30.00	314	325	322	-	0.61	0.47	14.00	22.00	21.90	25.00	306	310	315	295						
24x16	0.62	0.57	12.00	20.00	19.80	28.00	325	319	340	-	0.61	0.50	12.00	17.50	17.50	23.00	320	285	285	285						
24x18	0.62	0.59	10.00	18.00	18.00	26.00	325	310	-	-	0.61	0.54	10.00	18.00	18.00	21.00	305	300	310	290						
24x20	0.62	0.60	8.00	16.00	16.00	24.00	315	305	-	-	0.61	0.57	7.00	13.50	13.50	14.00	300	270	275	240						
30x16	0.66	0.50	30.00	39.00	-	-	475	565	-	-	0.66	0.50	30.00	39.00	39.00	48.00	633	565	623	555						
30x18	0.66	0.54	28.00	37.00	-	-	495	590	-	-	0.66	0.54	28.00	37.00	37.00	46.00	658	590	635	567						
30x20	0.66	0.57	24.00	33.00	-	-	525	560	-	-	0.66	0.57	24.00	33.00	33.00	42.00	628	560	603	535						
30x24	0.66	0.61	10.00	24.50	-	-	478	495	-	-	0.66	0.61	10.00	24.50	24.50	33.50	478	495	526	458						
36x16	0.74	0.50	30.00	-	-	-	789	890	-	-	0.74	0.50	30.00	27.00	-	-	1016	595	-	-						
36x20	0.74	0.57	36.00	45.00	-	-	970	874	-	-	0.74	0.57	36.00	45.00	45.00	54.00	975	874	950	849						
36x24	0.74	0.61	19.00	33.00	-	-	770	746	-	-	0.74	0.61	19.00	33.00	33.00	42.00	770	746	810	709						
36x30	0.74	0.66	15.50	24.50	-	-	838	725	-	-	0.74	0.66	15.50	24.50	24.50	725.00	650	33.5	758	657						
42x30	0.82	0.74	20.00	-	-	-	1067	-	-	-	0.82	0.66	20.00	29.00	29.00	38.00	1083	931	1015	863						
42x36	0.82	0.74	15.50	-	-	-	1116	-	-	-	0.82	0.74	15.50	24.50	24.50	33.50	1114	962	1013	861						
48x30	0.90	0.66	40.00	-	-	-	1852	-	-	-	0.90	0.66	40.00	49.00	49.00	58.00	1779	1594	1711	1526						
48x36	0.90	0.74	28.00	-	-	-	1632	-	-	-	0.90	0.74	28.00	37.00	37.00	46.00	1641	1456	1540	1355						
48x42	0.90	0.82	15.50	-	-	-	1486	-	-	-	0.90	0.82	15.50	24.50	24.50	33.50	1426	1241	1274	1089						

Tyler Union does not recommend the use of wedge action restraints on plain end fittings