

2 PC FULL PORT 400 WOG PUMP ISOLATION VALVE

The FNW figure 470 (NPT connection) and 475 (Sweat end connection) pump isolation valve decreases installation time and the number of possible leak paths by its integral pump flange connection. Pump isolation valves make pump servicing easier by isolating the pump and providing ease of disconnect for pump removal.

Features:

- 400 WOG
- Full Port
- Flanged Pump Connection by:
 - Threaded End (Fig.470)
 - Sweat End (Fig. 495)
- Solid Integral Pump-Side Flange
- Blow-out Proof Stem
- Adjustable Packing
- Forged Brass Body & End Cap
- Includes T-handle, Gasket and Hardware

NOT RECOMMENDED FOR BURIED SERVICE



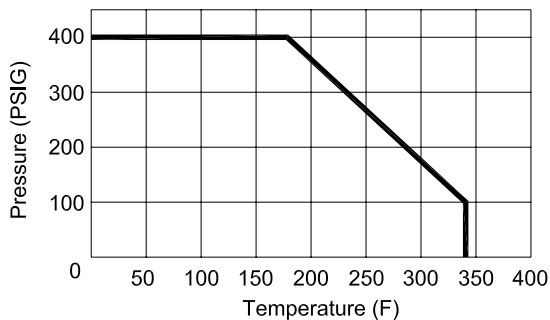
Figure 470 - Threaded End



Figure 475 - Sweat End



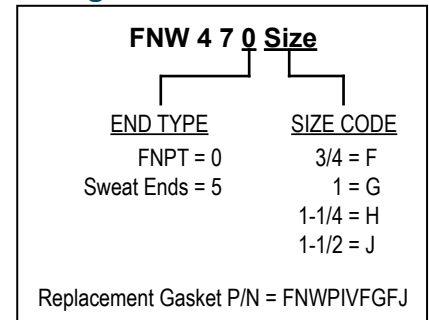
T-Handle, Gasket, & Hardware Included



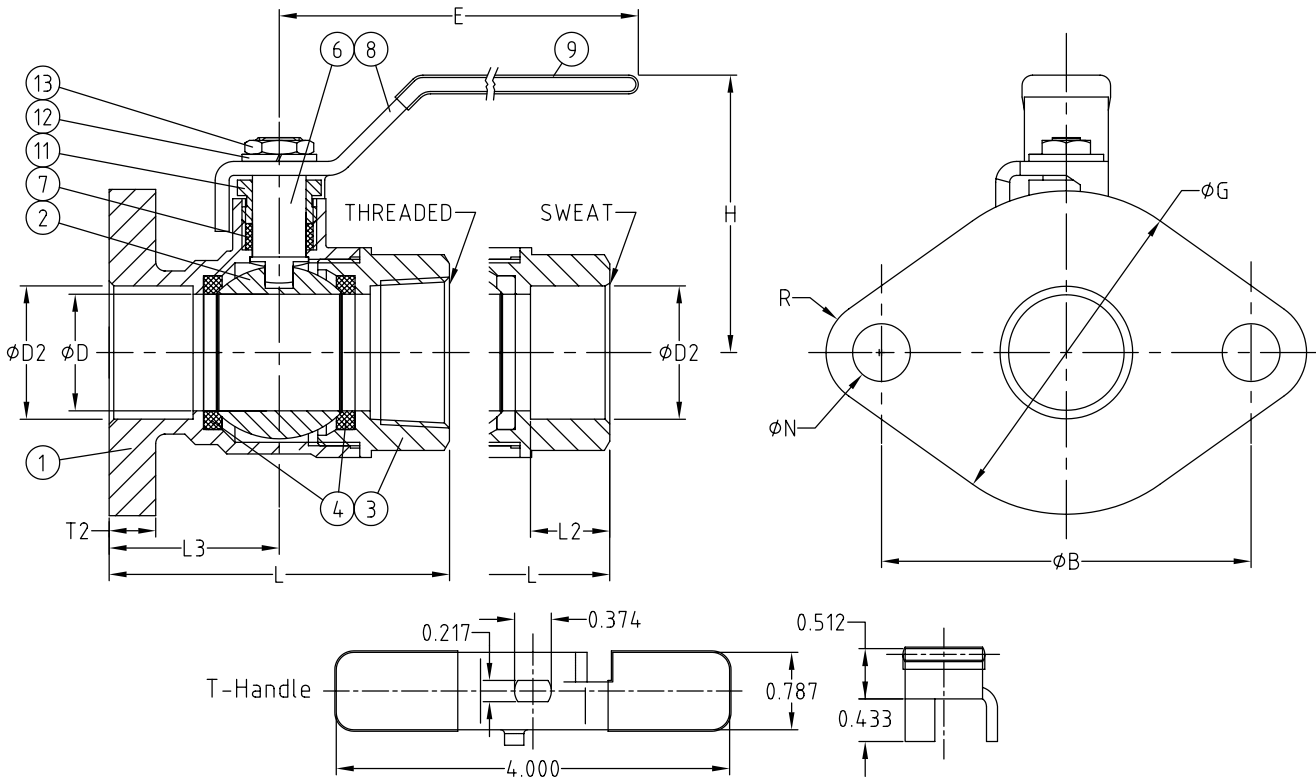
Weight (lbs)

Size	470	475
3/4	1.72	1.71
1	1.82	1.77
1-1/4	2.08	2.08
1-1/2	2.60	2.66

Figure Number Matrix



2 PC FULL PORT 400 WOG PUMP ISOLATION VALVE



Dimensions (inches)

Size	ØB	ØD	ØD2	Threaded Dimensions	E	ØG	H	L		L1	L2	L3	ØN	R	T2
								470	475						
3/4	3.15	0.748	0.878	3/4" - 14 NPT	4.331	2.756	2.382	2.421	2.618	1.22	0.75	1.22	0.492	0.453	0.394
1	3.15	0.984	1.126	1" - 11-1/2 NPT	4.331	2.756	2.559	2.815	3.071	1.378	0.87	1.38	0.492	0.453	0.394
1-1/4	3.15	1.142	1.378	1-1/4" - 11-1/2 NPT	4.331	2.756	2.717	3.09	3.543	1.535	1.10	1.54	0.492	0.453	0.394
1-1/2	3.15	1.457	1.628	1-1/2" - 11-1/2 NPT	4.331	2.756	2.913	3.465	3.917	1.732	1.10	1.73	0.492	0.453	0.394

Standard Materials

Ref. No.	Description	Material	Qty
1	Body	Brass - C37700	1
2	Ball	Brass - C37700	1
3	End Cap	Brass - C37700	1
4	Seat	PTFE	2
6	Stem	Brass - C36000	1
7	Stem Packing	PTFE	1
8	Handle	Steel - AISI-1010	1
9	Handle Cover	Plastic	1

Ref. No.	Description	Material	Qty	Remarks
11	Gland Nut	Brass - C36000	1	
12	Handle Washer	ASTM G1566	1	
13	Handle Nut	Steel - AISI-1010	1	
14	Flange Bolt	Steel - AISI-1010	2	Not shown
15	Flange Nut	Steel - AISI-1010	2	Not shown
16	Flange Gasket	Rubber - NBR	1	Not shown
17	T-Handle	Steel - AISI-1010	1	

DOC: FNW470-47507 Ver. 4/2018

© 2018 - FNW. All rights reserved.

The FNW logo is a trademark of Ferguson Enterprises, Inc., PL Sourcing, PO Box 2778, Newport News, VA 23609

The contents of this publication are presented for information purposes only, and while effort has been made to ensure their accuracy, they are not to be construed as warranties or guarantees, expressed or implied, regarding the products or services described herein or their use or applicability. All sales are governed by our terms and conditions, which are available on request. We reserve the right to modify or improve the designs or specifications of our products at any time without notice. Always verify that you have the most recent product specifications or other documentation prior to the installation of these products.