

Technical Specification

Curved Shower Rod

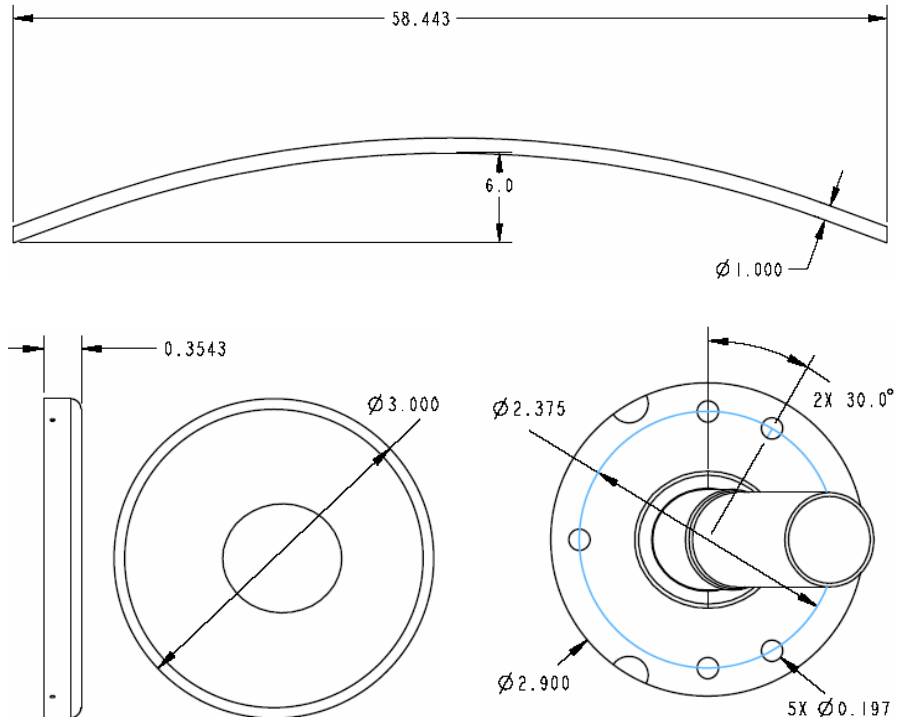
2-102-5 & 65-F

Stock Numbers:

- q **2-102-5PS – 5' Curved Shower Rod Only**
Polished Stainless Steel Finish
1" Diameter Rod
- q **2-102-5BS – 5' Curved Shower Rod Only**
Brushed Stainless Steel Finish
1" Diameter Rod
- q **65-F-PS – Curved Shower Rod Flange Kit**
Polished Stainless Steel Finish
Concealed Screw Mounting
Two Assemblies per Set
Mounting Hardware included for installation
into wood, drywall or tile
- q **65-F-BS – Curved Shower Rod Flange Kit**
Brushed Stainless Steel Finish
Concealed Screw Mounting
Two Assemblies per Set
Mounting Hardware included for installation
into wood, drywall or tile

Note: To order a complete curved shower rod unit, select both a rod and a flange kit.

Dimensions:



Materials:

Curved shower rod is made of .028 (22 gauge) seamless type 304 stainless steel. **Flanges** are stamped from stainless steel.

Installation Instructions:

The Donner curved shower rod should be mounted in the same position that you would mount a straight shower rod.

1. Mount the first wall plate using the appropriate supplied hardware (post should be facing outside the shower).
2. With the fronts of the 2 covers facing together, slide the covers onto the rod.
3. With curve facing downward, slide rod onto the mounted wall plate.
4. Slide 2nd wall plate onto the open end of the rod and rotate entire unit upward so that the curve is facing outside of the shower.
5. Mount second wall plate and snap covers into place on each end of the rod.

Refer to the instruction sheet in each package for complete installation instructions and illustrations.

Note: Wood blocking is preferable behind all wall surfaces. If wood blocking is not available, use the appropriate anchor supplied in the hardware kit.

Stock Number: _____ **Curved Shower Rod**
By Creative Specialties



25300 AL MOEN DRIVE • NORTH OLMSTED, OH 44070
CORPORATE HEADQUARTERS: (800) 321-8809 • FAX: (800) 848-6636
INTERNATIONAL: (440) 962-2000 • FAX: (440) 962-2726
CUSTOMER SERVICE (USA): 800-882-0116 • FAX: (888) 379-2720
WWW.CSI.MOEN.COM

©Copyright Creative Specialties International 2005