

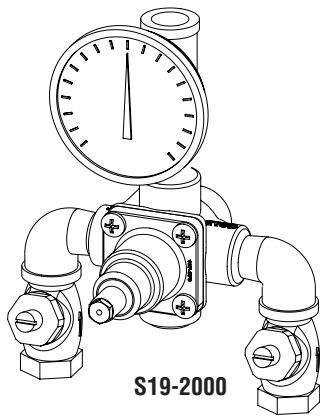
Installation

EFX8/S19-2000, S19-2000EFX Series

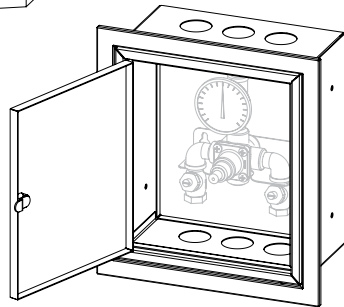
Thermostatic Mixing Valve
with Optional Cabinet

Robinet thermostatique
mélangeur avec cabinet facultatif

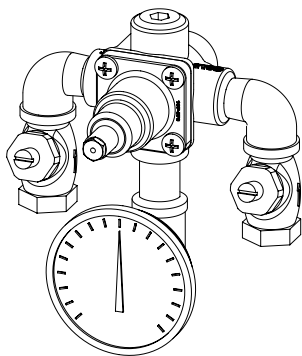
Válvula mezcladora termostática
con armario opcional



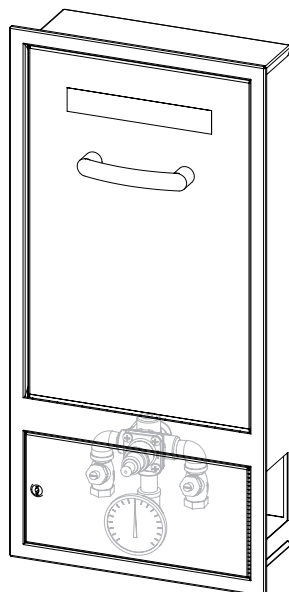
S19-2000



S19294JB, S19294JBT
(Cabinet Only)



S19-2000EFX



S19294JB, S19294JBT
(Cabinet Only)



(Valve Only)



Read the instructions in this manual before beginning installation. Save these instructions and refer to them for inspection, maintenance, and troubleshooting information.

For questions regarding the operation, installation or maintenance of this product, visit bradleycorp.com or call 800.BRADLEY (800.272.3539).

Product warranties and parts information may also be found under "Resources" on our website at bradleycorp.com.



Table of Contents

Safety Information	3
Supplies Required	4
Optional Equipment Installation	4
Dimensions	5
Installation Instructions	6
Troubleshooting	8
Parts Breakdown	10

Sommaire

Consignes de sécurité	11
Fournitures requises	12
Installation de l'équipement optionnel	12
Dimensions	13
Instructions relatives à l'installation	14
Dépannage	16
Liste des pièces	18

Tabla de contenidos

Información de seguridad	19
Materiales necesarios	20
Instalaciones de equipos opcionales	20
Dimensiones	21
Instrucciones de instalación	22
Solución de problemas	24
Desglose de piezas	26

Specifications

Inlet Connections: 1/2" NPT
 Outlet Connection: 1/2" NPT
 Temperature Range: 65–90°F
 Maximum Pressure: 125 PSI
 Inlet Temperature Hot: 120–180°F
 Inlet Temperature Cold: 33–80°F
 Minimum Temperature Differential
 (between hot supply & valve set point): 20°F
 Flow at 30 psi: 7.3 gpm
 Minimum Cold Water Bypass at 30 psid: 5.6 gpm
 Minimum Flow: 1.5 gpm
 Maximum Flow with Cold Water Shut-Off: 0.5 gpm

Especificaciones

Conexiones de entrada: NPT de 1/2 pulg.
 Conexión de salida: NPT de 1/2 pulg.
 Rango de temperaturas: 65 – 90 °F
 Presión máxima: 125 PSI
 Temperatura de entrada, caliente: 120 – 180 °F
 Temperatura de entrada, fría: 33 – 80 °F
 Diferencial de temperatura mínima
 (entre suministro de agua caliente y punto de
 referencia de la válvula): 20 °F
 Flujo a 2,1 bar: 7.3 gpm
 Derivación mínima de agua fría a 2,1 bar: 5.6 gpm
 Flujo mínimo: 1.5 gpm
 Flujo máximo con retención de agua fría: 0.5 gpm

Caractéristiques

Raccords d'arrivée : 1/2 po NPT
 Raccord de sortie : 1/2 po NPT
 Plage de température : 65 – 90 °F
 Pression maximum : 125 lb/po²
 Température d'arrivée, eau chaude : 120 – 180 °F
 Température d'arrivée, eau froide : 33 – 80 °F
 Différentiel minimal de température
 (entre arrivée d'eau chaude et réglage du mitigeur: 20 °F
 Débit à 30 psi : 7.3 gpm
 Dérivation d'eau froide minimum à 30 psid : 5.6 gpm
 Débit minimum : 1.5 gpm
 Débit maximum avec arrêt d'eau froide : 0.5 gpm

Safety Information

To ensure proper operation:

Installation

Failure to comply with proper installation and maintenance instructions could contribute to a valve failure resulting in severe bodily injury including scalding, chilling and/or death depending upon system water pressure changes and/or supply water temperature changes.

Use this thermostatic mixing valve in accordance with ASSE standard 1071.

When installed in accordance with ASSE standard 1071, the valve is designed to be installed at fixtures such as emergency eyewash and eye/face wash applications only. When installed as an ASSE 1071 valve, the valve does not function as an ASSE 1016, ASSE 1017, ASSE 1069, or ASSE 1070 valve.

This valve should not be used where ASSE standard 1016 devices are required.

Operation of emergency thermostatic mixing valves and fixtures must be tested weekly per ANSI/ISEA Z358.1.

This valve does not provide protection from pipe freezing.

Valve shall be accessible for testing, adjusting, and maintenance in the installed position.

If shut-off valves are installed for maintenance purposes, provisions shall be made to prevent unauthorized shut-off.

Installation of this system must be completed by a qualified plumber in compliance with all national and local codes. Compliance and conformity to local codes and ordinances is the responsibility of the installer. Should these codes differ from the information in the manual, follow the local codes. Inquire with governing authorities for additional local requirements.

Inspection

Regular checking and cleaning of the valve's internal components and check stops is necessary for maximum life and proper product function. Periodic inspection and yearly maintenance by a licensed contractor is required. Corrosive water conditions and/or unauthorized adjustments or repairs could render the valve ineffective for its intended service. Frequency of cleaning and inspection depends upon local water conditions.

Output temperature of the valve must be checked and adjusted at initial installation and on a quarterly basis.

Water Temperature

Final temperature adjustment is the responsibility of the installer.

Supplies Recommended for Installation

- Lockable shut-off on the outlet if tempered water is supplied to one or more emergency fixtures
- Lockable shut-off on the inlets/supplies
- (6) 1/4" wall anchors and fasteners for surface-mounted cabinet
- (4) 1/4" fasteners (and wall anchors, if necessary) for recess-mounted cabinet
- Unions on all connections to facilitate removal of valve

Tools Required for Temperature Adjustment

- 5/64" Allen wrench
- Blade screwdriver

1 Install Optional Cabinet (If not installing cabinet, skip to Step 2)



If installing S19-2000EFX into Dropdown Eyewash Cabinet S19294JB, S19294JBT, please see mounting instructions supplied with cabinet.

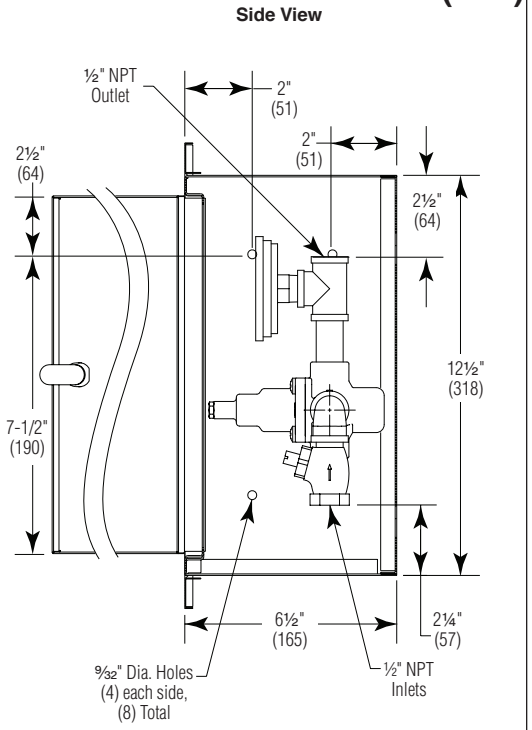
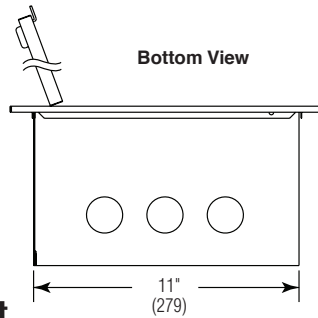
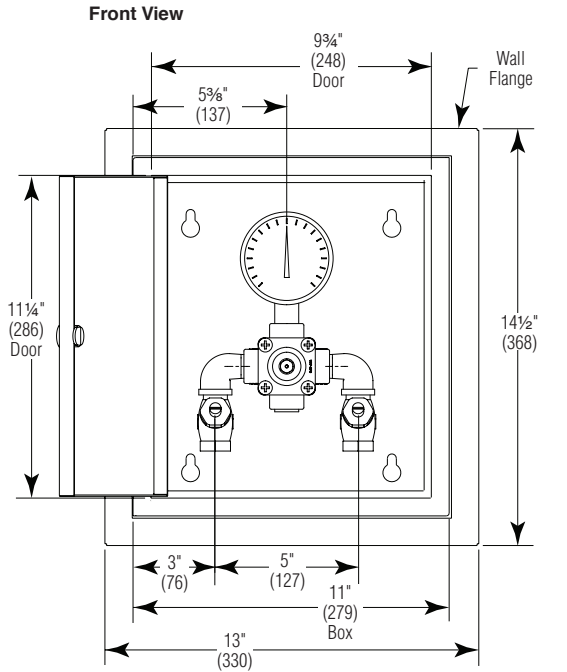
Recessed Cabinet:

1. Rough-in wall opening 11-1/2" W x 13" H.
2. Insert the cabinet and secure to wall with four 1/4" fasteners properly anchored (supplied by installer.)
3. Install two anchors and screws through the valve bracket in back of the cabinet into a secure brace (supplied by installer) or into wall. This will support the valve.
4. Install the valve nipples and one-half of the union ball valve using pipe sealant or teflon tape. Install the other half of the union ball valve onto inlet and outlet pipe.
5. Insert the valve into the bracket in the cabinet (right side goes in first). Continue with the valve installation procedure.
6. Position the wall flange tight to the wall and caulk in place.

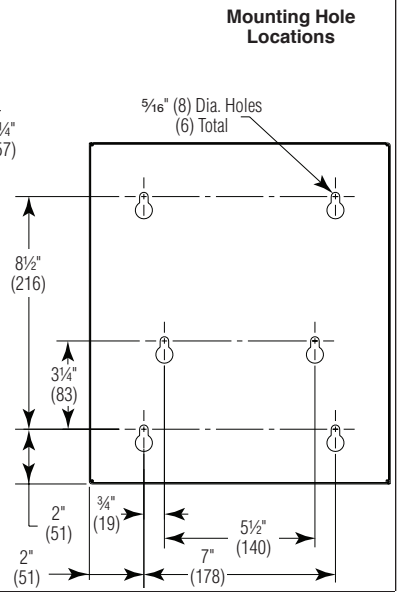
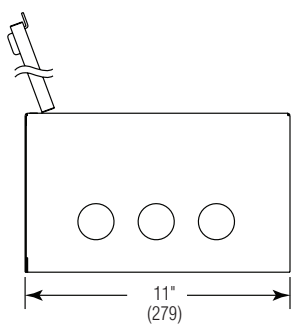
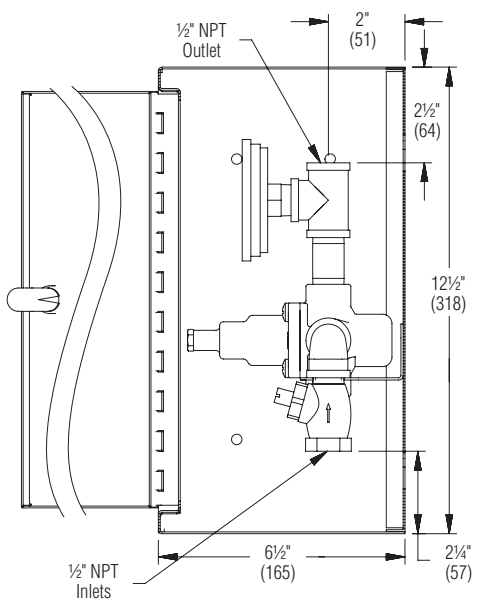
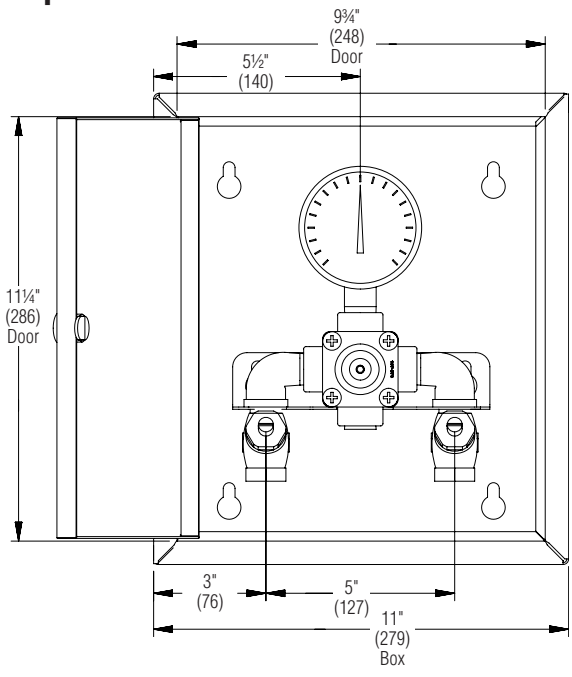
Surface-Mounted Cabinet:

1. Measure and mark the cabinet mounting hole locations at the dimensions shown on next page. Install six 3/8" wall anchors (supplied by installer).
2. Position the cabinet onto the wall and secure into place with six 3/8" wall fasteners (supplied by installer).
3. Install the valve nipples and one-half of the union ball valve using pipe sealant or teflon tape. Then install the other half of the union ball valve onto the inlet and outlet piping.
4. Insert the valve into the bracket in the cabinet (right side of the valve goes in first). Continue with the valve installation procedure.

Optional Recessed Cabinet



Optional Surface-Mounted Cabinet



2 Connect Supply Lines and Install Thermometer



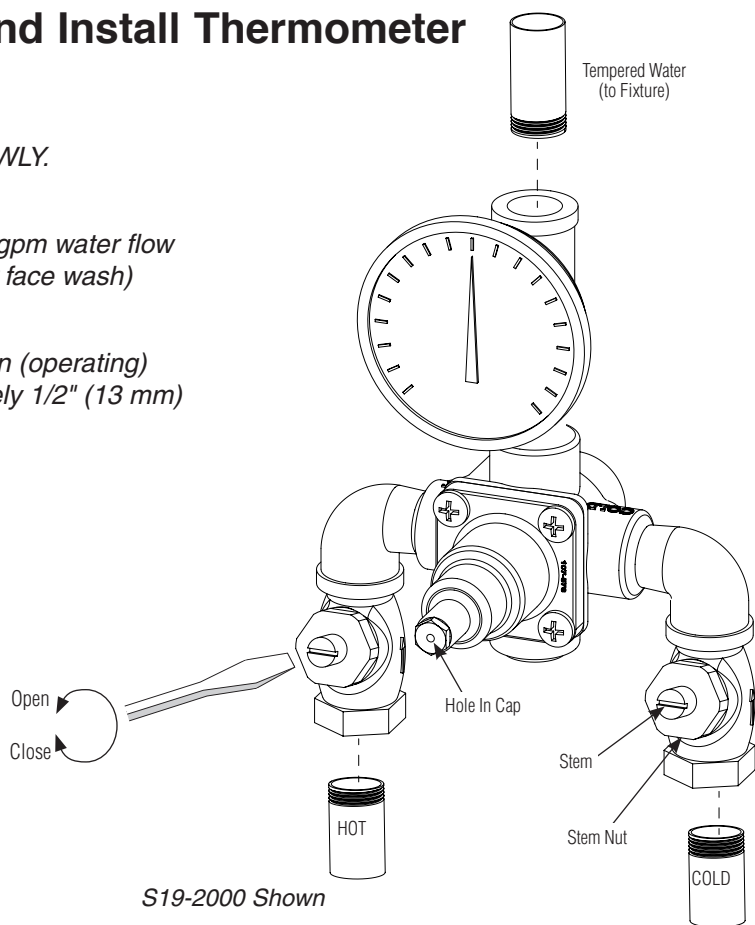
Check for leaks by pressurizing unit *SLOWLY*.



Check the temperature when approx. 3-5 gpm water flow is reached (equivalent to one eye wash or face wash) and adjust if necessary.



When the check stops are in the fully open (operating) position, the stem will extend approximately 1/2" (13 mm) from the stem nut.



3 Adjust Temperature with Water Running



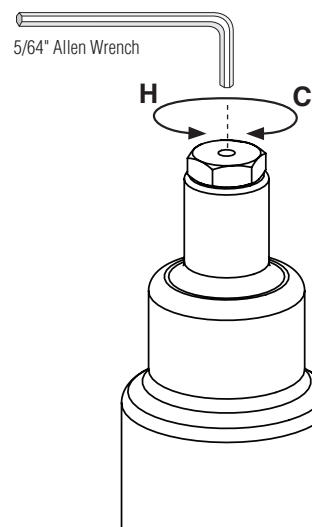
Check the temperature when approximately 3 – 5 gpm water flow is reached (equivalent to one eye wash).



No single emergency fixture supplied by this device shall have a minimum flow rate less than 1.5 gpm.



This device must be checked for final temperature and adjusted as necessary. The standard preset factory temperature setting is 85°F (29°C) [the range of the valve is 65°F–90°F (18°C–32°C)]. Insert Allen Wrench through the hole in the cap and into the set screw to adjust. Consult proper medical and/or safety authorities for the optimum temperature recommended for your particular application.



4 Test Unit



DO NOT SKIP THIS STEP!!!

Shut the hot water supply off by closing hot water inlet valve or supply check valve. While the hot water supply is turned off, check to make sure the cold water continues to flow. If the cold water is flowing properly, reopen the hot water supply.

Shut the cold water supply off by closing the cold water inlet valve or supply check valve. While the cold water supply is off, check to make sure that the hot water flow has shut down to less than 0.5 gpm. If hot water is shut down, fully reopen cold water supply.

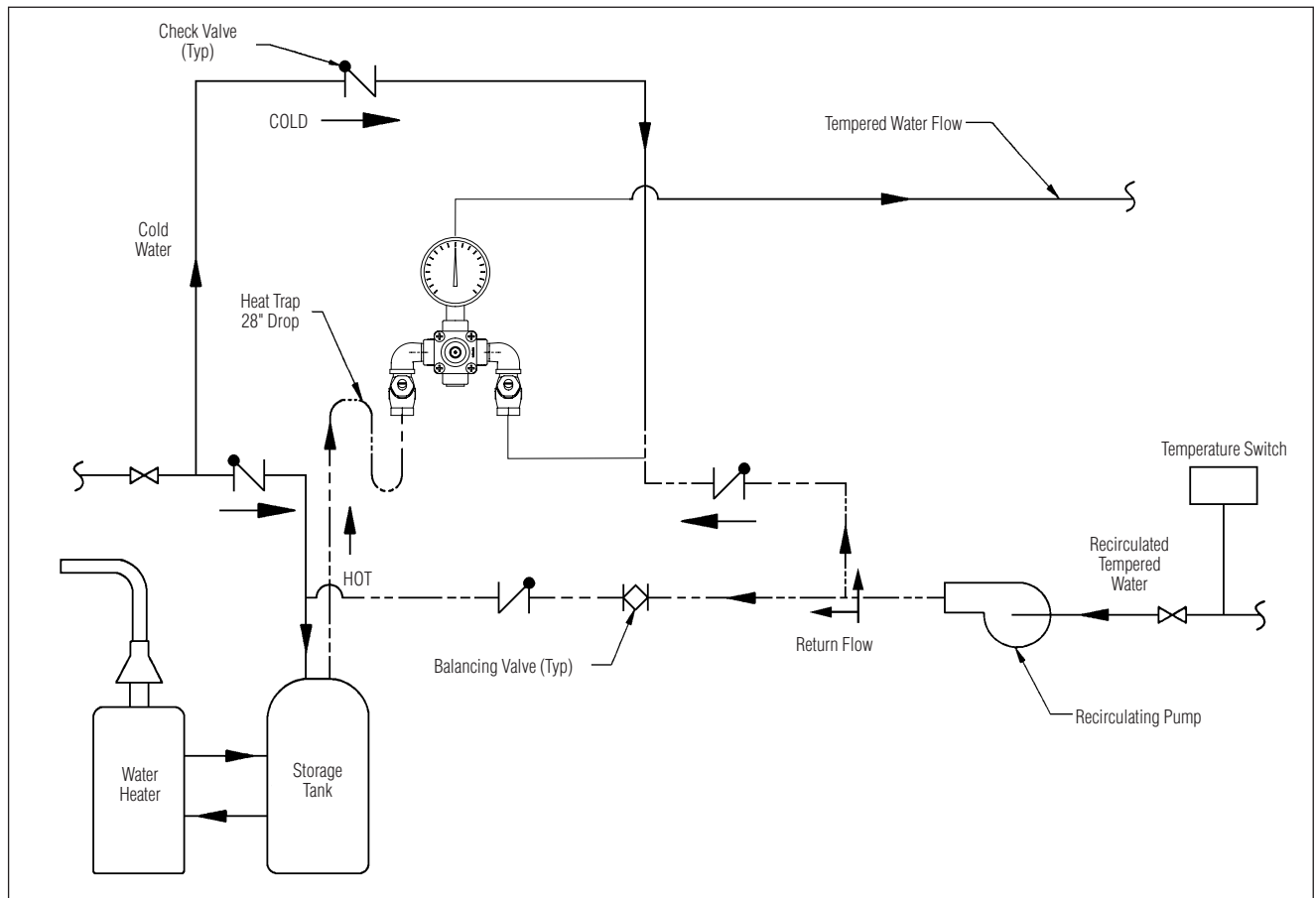


Test the system weekly (turn on the water supply and check for constant control of the desired set temperature).

5 Optional Water Recirculation Setup



Recirculating the water in the system provides constant regulation of the water temperature. Flush the supply lines thoroughly after completing installation. Close off all fixtures and label them as not available for use during the recirculating process.



1. Turn off the recirculating pump and turn on the water supply at emergency fixture (a water flow rate of 3 – 5 gpm is required).
2. Let the water run through the system until a consistent temperature is obtained. If you do not obtain the required temperature, refer to step #3 on previous page for temperature readjustment.
3. As soon as the water reaches the proper temperature, turn on the recirculating pump (make certain the proper system temperature has been achieved before proceeding).
4. Check the water temperature at the return pump. If the temperature exceeds the appropriate level by 2°F, adjust the temperature high-limit switch (this will turn off the pump). Wait until the return water temperature is 5°F below the appropriate level and adjust the low-limit switch (this will turn the pump back on).
5. Open the balancing valve completely.
6. Turn off all fixtures and make sure there is no water running through the system (the cold inlet pipe should feel warm to the touch).
7. Let the system run for 30 minutes or longer without water. If, after thirty minutes, the water temperature increases, you may readjust the temperature by slowly closing the balancing valve until the appropriate temperature is reached.

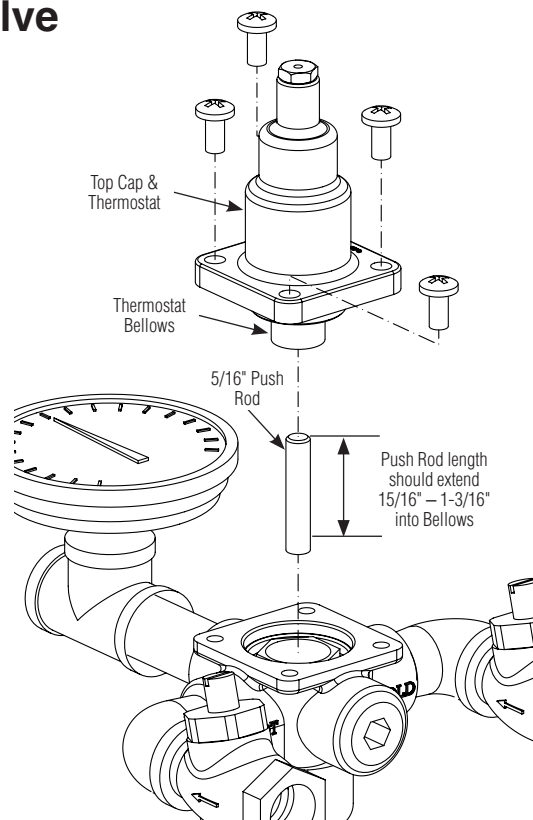
Troubleshooting: Thermostatic Mixing Valve

Before attempting to troubleshoot the valve or disassemble the components, check for the following:

- Stop/check valves are fully open (the slotted stem extends approximately 1/2" from the stem nut) and that all inlet and outlet shut-off valves are open
- Hot and cold inlet pipes are connected properly, and that there are no cross-connections or leaking stop/check valves
- Water heater output is at least 20°F above the set temperature.



Be sure to close the appropriate shut-off valves prior to disassembly of the valve and reopen the valves after inspection and repair is complete.

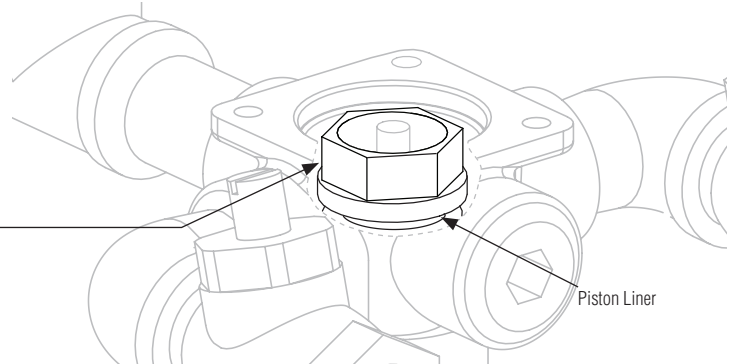


Problem	Cause	Solution
External leaks in the system	Either the NPT joints or the O-rings have been damaged.	Replace the NPT joints and/or O-rings where necessary. For replacement of O-rings, contact your Bradley representative and ask for O-Ring Seal Kit (S65-170).
No hot water flow (cold water flow only)	The thermostat has failed and, subsequently, the safety shut-off has engaged.	Inspect Thermostat:
Limited water flow	The inlet shut-off valve may be partially closed or there has been a significant decrease in water pressure.	<ol style="list-style-type: none"> 1. Remove the top cap and thermostat. 2. Insert the 5/16" dia. push rod into the thermostat bellows. 3. Mark the length the push rod extends into the bellows (at room temperature, with 10 lb. of force, the length should be approx. 15/16" – 1-3/16"). 4. If the push rod length is not in the proper range, the thermostat must be replaced (it cannot be repaired). Contact your Bradley representative and ask for Thermostat Kit (S65-171).
	Dirt and debris have collected on the check screen or seat, limiting the movement of the stop and checks.	Clean Stop and check Valves: Remove the stop and checks, clean the seat and reassemble the valve. Do not remove the seat. The components may be brushed with a small wire brush to remove debris. A pair of tweezers works well for pulling debris out from the seat. If the stop and checks need to be replaced, contact your Bradley representative and ask for Check/Stop Kit (S27-102-Rough Brass, or S27-292A-Chrome).
Temperature fluctuation or improper Temperature	The stop and check sections of the valve do not move freely.	Clean Stop and Check Valves as described above.
	Thermostat is slowly failing.	Check Thermostat as described above, or replace.
	Inlet supply line to the mixing valve is being shared by other pieces of equipment that are used only periodically, such as laundry appliances or washdown stations. It may reduce the inlet pressure to the mixing valve to less than 3 PSI. The supply line size may not be large enough to supply both the valve and the other appliances.	Enlarge the supply line size, reconfigure the supply line or regulate the supply usage.
	Recirculation is not balanced.	Review recirculation set up on page 6.
	Piston does not move freely and must be cleaned.	See next page for piston disassembly and cleaning directions.

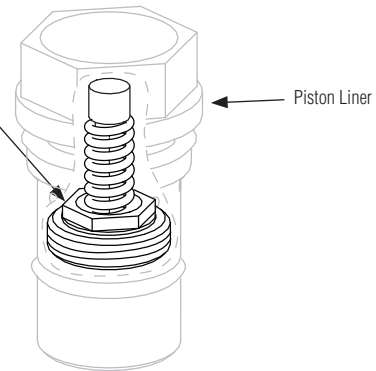
Troubleshooting: Piston Disassembly and Cleaning

A Remove the Top Cap and Thermostat Assembly as shown on Page 6. Set the 5/8" Push Rod aside.

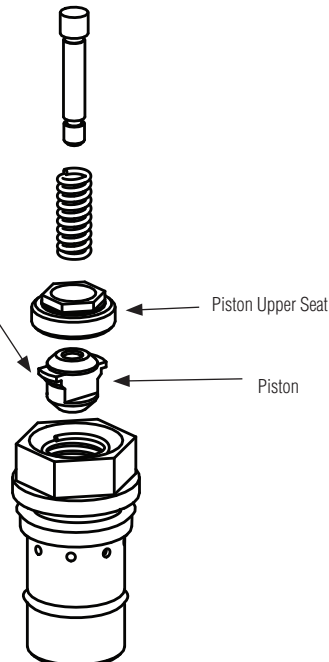
B Using a 15/16" socket wrench, loosen the piston liner from the valve body and lift out with a needle-nose pliers.



C Using a 1/2 deep socket wrench, loosen the piston upper seat from the piston liner and lift out parts with a needle-nose pliers.

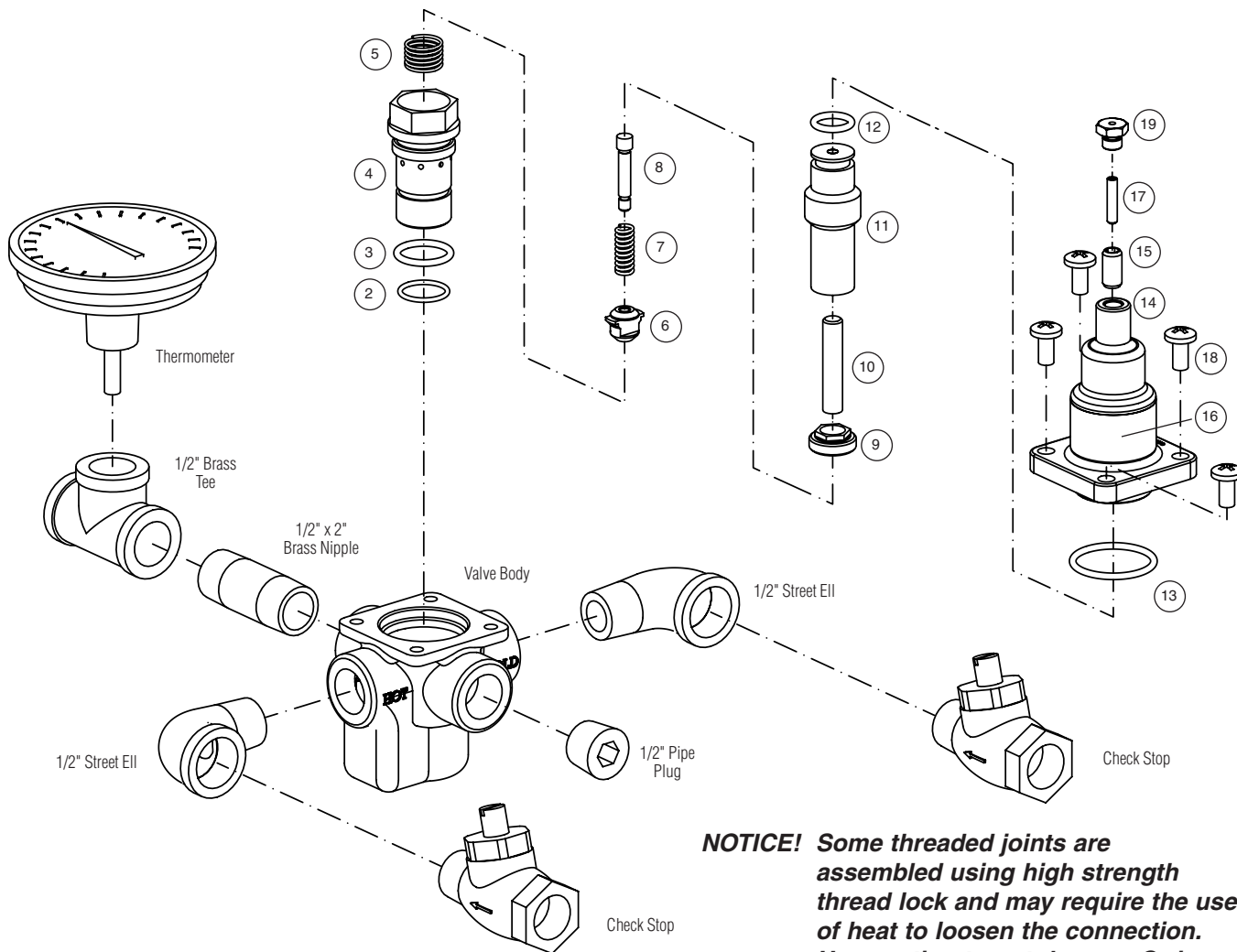


D Dissamble and clean the piston assembly parts with any cleaner suitable for brass and stainless steel. (if necessary, use a 400-grit sandpaper to polish and hone the piston and liner.)



E Re-assemble the piston assembly. Push the mechanism up and down several times to make sure the piston moves smoothly and consistently. If it is not consistent, repeat Procedure D until it moves freely, or replace. Contact your Bradley representative and ask for Piston/Liner Kit (part number S65-172).

Parts Breakdown



NOTICE! Some threaded joints are assembled using high strength thread lock and may require the use of heat to loosen the connection. Use caution to not damage O-rings or other components.

Thermostat Kit S65-171

Item	Qty.	Description
11	1	Thermostat
12	1	O-Ring
13	1	O-Ring

Piston & Liner Kit S65-172

Item	Qty.	Description
2	1	O-Ring
3	1	O-Ring
4	1	Liner
5	1	Spring
6	1	Piston
7	1	Spring
8	1	Overheat Screw
9	1	Upper Seat

O-Ring Kit S65-170

Item	Qty.	Description
2	1	O-Ring
3	1	O-Ring
12	1	O-Ring
13	1	O-Ring

Center Section Kit S65-303

Item	Qty.	Description
2	1	O-Ring
3	1	O-Ring
4	1	Liner
5	1	Spring
6	1	Piston
7	1	Spring
8	1	Overheat Screw
9	1	Upper Seat
10	1	Push Rod
11	1	Thermostat
12	1	O-Ring
13	1	O-Ring
14	1	Control Cap
15	1	Set Screw
16	1	Label
17	1	Set Screw
18	4	1/4 Screw
19	1	Cap



Kit numbers for rough brass finish. Contact Bradley for other configurations.



As of November 2001, the piston (Item 7) has replaced the seal holder and seal as a direct replacement.



As of June 2008, the brass control cap (item 15) has been replaced by a plastic cap. All internal components are identical.



As of July 2012, the Temperature Adjustment Control (items 15, 17 and 19) have been updated and are compatible with all units using the plastic Control Cap (June 2008 to present).

Flexible Connection Lines for S19-2000EFX

When used with S19294JB, S19294JBT, order Part No. 269-653 (3 supplied with unit).

Consignes de sécurité

Pour assurer un bon fonctionnement :

Installation

Tout manquement à respecter les instructions d'installation et d'entretien peut contribuer à une défaillance du robinet et provoquer des blessures graves voire mortelles, notamment par la chaleur ou le froid, en fonction des variations de pression d'eau du système ou des variations de température de l'alimentation en eau.

Utiliser ce mitigeur thermostatique conformément à la norme ASSE 1071.

Lorsqu'il est installé conformément à la norme ASSE 1071, le robinet est conçu pour être utilisé sur des appareils d'urgence tels que des douches oculaires et des douches oculaires et faciales seulement. S'il est installé en tant que robinet ASSE 1071, il ne fonctionne pas en tant que robinet ASSE 1016, ASSE 1017, ASSE 1069 ou ASSE 1070.

Ne pas utiliser ce robinet si des appareils conformes à la norme ASSE 1016 sont exigés.

Le fonctionnement des mitigeurs thermostatiques et appareils sanitaires d'urgence doit être contrôlé chaque semaine conformément à la norme ANSI/ISEA Z358.1.

Ce robinet ne protège pas les conduites contre le gel.

Dans sa position installée, le robinet doit être accessible pour les essais, les réglages et l'entretien.

Si des robinets d'arrêt sont installés à des fins d'entretien, prendre les mesures nécessaires pour empêcher les fermetures non autorisées.

L'installation de ce système doit être effectuée par un plombier qualifié conformément à tous les codes en vigueur. La mise en conformité et le respect des codes et règlements en vigueur relèvent de la responsabilité de l'installateur. Si ces codes diffèrent des informations figurant dans le manuel, suivre les codes en vigueur. S'informer auprès des autorités compétentes s'il existe des exigences locales supplémentaires.

Inspection

Le contrôle et le nettoyage réguliers des éléments internes et des clapets d'arrêt du robinet sont nécessaires pour assurer une durabilité maximale et un bon fonctionnement du produit. Prévoir obligatoirement des contrôles périodiques et un entretien annuel par un professionnel agréé. Les eaux corrosives et les réglages ou réparations non autorisés peuvent empêcher le robinet de fonctionner comme prévu. La fréquence de nettoyage et de contrôle dépend des conditions locales d'alimentation en eau.

La température de sortie du robinet doit être contrôlée et réglée lors de l'installation initiale puis chaque trimestre.

Température de l'eau

Le réglage final de la température relève de la responsabilité de l'installateur.

Fournitures requises pour l'installation :

- Robinet d'arrêt verrouillable sur la sortie en cas d'alimentation d'eau tempérée vers un ou plusieurs appareils d'urgence
- Robinet d'arrêt verrouillable sur les arrivées/alimentations
- (6) Ancrages muraux et fixations 3/8 po pour armoire montée en surface
- (4) Fixations 1/4 po (et ancrages muraux, si nécessaire) pour armoire encastrée
- Raccords sur toutes les connexions pour faciliter la dépose du robinet

Outils requis pour réglage de température

- Clé Allen 5/64 po
- Tournevis à lame

1 Installer l'armoire en option (si l'installation d'une armoire n'est pas requise, passer à l'étape 2).



En cas de pose du S19-2000EFX dans l'armoire de douche oculaire escamotable S19-294JB, S19284JBT, voir les instructions de montage fournies avec l'armoire.

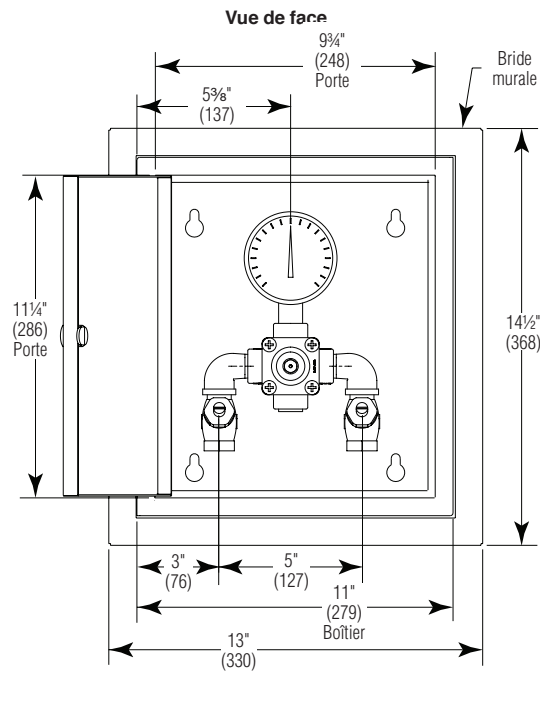
Armoire encastrée :

1. Ouverture murale pour plomberie brute 292 mm L x 330 mm H (11-1/2 po L x 13 po H).
2. Insérer l'armoire et la fixer au mur avec quatre fixations 1/4 po adéquatement ancrées (fournies par l'installateur).
3. Installer deux ancrages et vis à travers le support de robinet à l'arrière de l'armoire et dans un contrevent sécuritaire (fourni par l'installateur) ou dans un mur. Cela soutiendra le robinet.
4. Installer les raccords filetés du robinet et la moitié du clapet à bille du raccord en utilisant un produit d'étanchéité pour tuyaux ou du ruban téflon. Installer l'autre moitié du clapet à bille du raccord sur le tuyau d'entrée et de sortie.
5. Insérer le robinet dans le support dans l'armoire (le côté droit entre en premier). Continuer avec la procédure d'installation du robinet.
6. Positionner la rosace murale tout contre le mur et colmater en place.

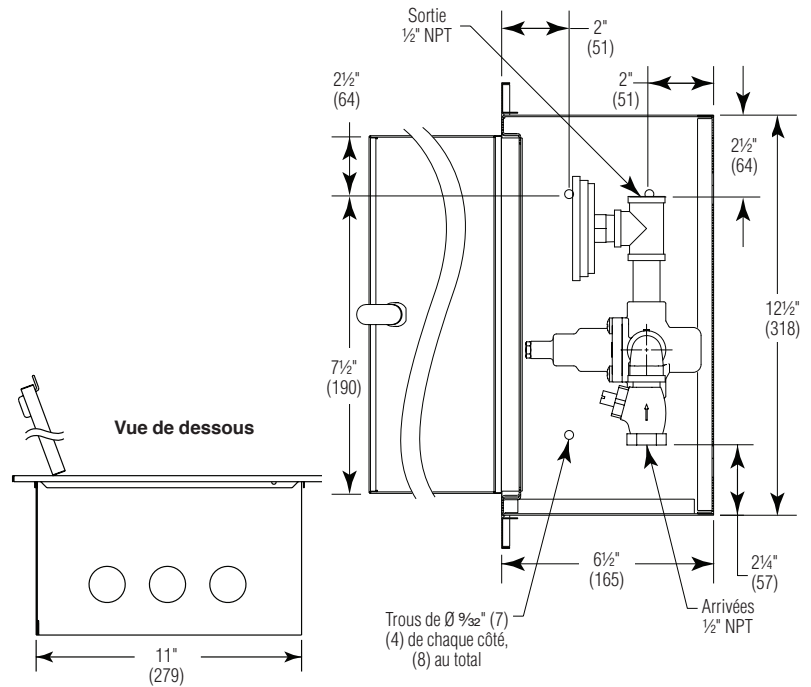
Armoire montée en surface :

1. Mesurer et marquer les emplacements des trous de montage de l'armoire selon les dimensions indiquées à la page suivante. Installer six ancrages muraux de 3/8 po (fournis par l'installateur).
2. Positionner l'armoire dans le mur et fixer en place avec six fixations murales de 3/8 po (fournies par l'installateur).
3. Installer les raccords filetés du robinet et la moitié du clapet à bille du raccord en utilisant un produit d'étanchéité pour tuyaux ou du ruban téflon. Puis installer l'autre moitié du clapet à bille du raccord sur le tuyau d'entrée et de sortie.
4. Insérer le robinet dans le support dans l'armoire (le côté droit du robinet entre en premier). Continuer avec la procédure d'installation du robinet.

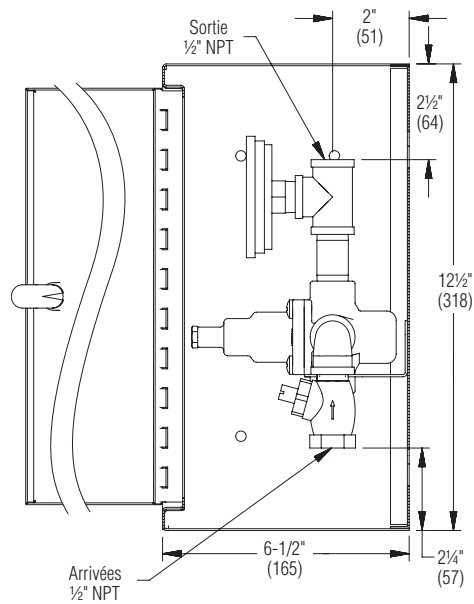
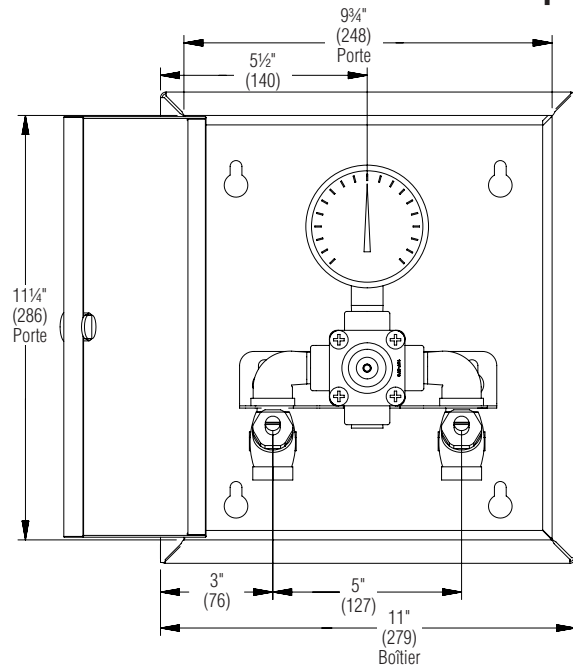
Armoire encastrée en option



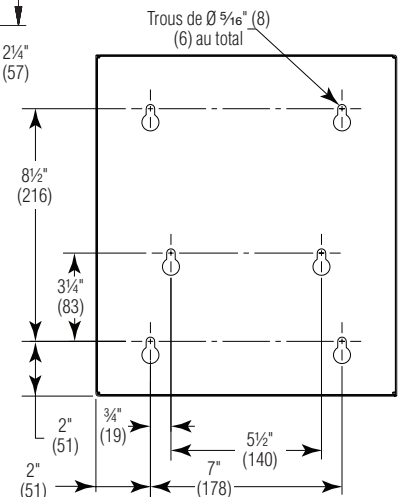
Vue latérale (mm)



Armoire montée en surface en option

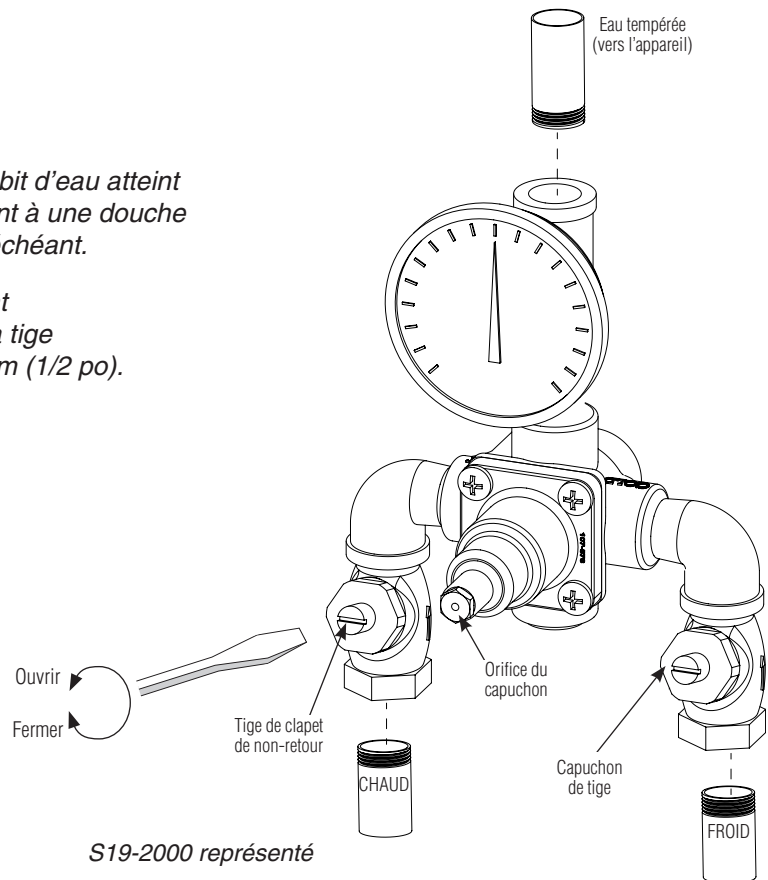


Emplacements de trous de montage



2 Connecter les conduites d'alimentation et installer le thermostat

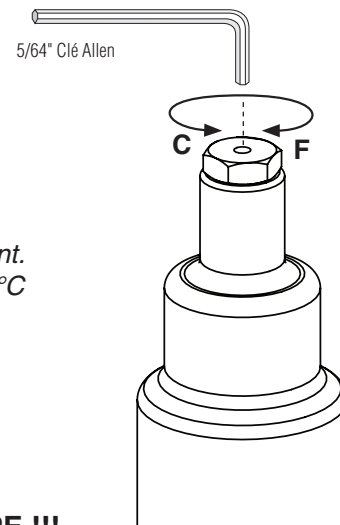
- Mettre **LENTEMENT** sous pression pour vérifier l'étanchéité.
- Contrôler la température lorsque le débit d'eau atteint 11 à 19 l/min (3 à 5 gal/min) (équivalent à une douche oculaire ou faciale) et l'ajuster le cas échéant.
- Lorsque les clapets de non-retour sont complètement ouverts (en marche), la tige dépasse du capuchon d'environ 13 mm (1/2 po).



S19-2000 représenté

3 Régler la température avec l'eau qui s'écoule

- Contrôler la température lorsque le débit d'eau atteint 11 à 19 l/min (3 à 5 gal/min) (équivalent à une douche oculaire).
- Aucun dispositif d'urgence fourni par ce dispositif a n'a un débit minimum inférieur à 1,5 GPM (5,7 L/min).
- Contrôler la température finale du dispositif et l'ajuster le cas échéant. La température de consigne standard pré-réglée à l'usine est de 29 °C (85 °F) [la plage du robinet est de 18 à 32 °C (65 à 90 °F)]. Insérez la clé Allen à travers l'orifice du capuchon et dans la vis de calage pour régler. Consulter les autorités médicales et/ou de sécurité appropriées pour connaître la température optimale recommandée pour l'application en question.



4 Tester unité NE PAS SAUTER CETTE ÉTAPE !!!

Fermer l'alimentation d'eau chaude en fermant le clapet ou le robinet d'arrivée d'eau chaude. Pendant que l'alimentation d'eau chaude est coupée, vérifier que l'eau froide continue de s'écouler. Si l'eau froide s'écoule correctement, rouvrir l'alimentation d'eau chaude.

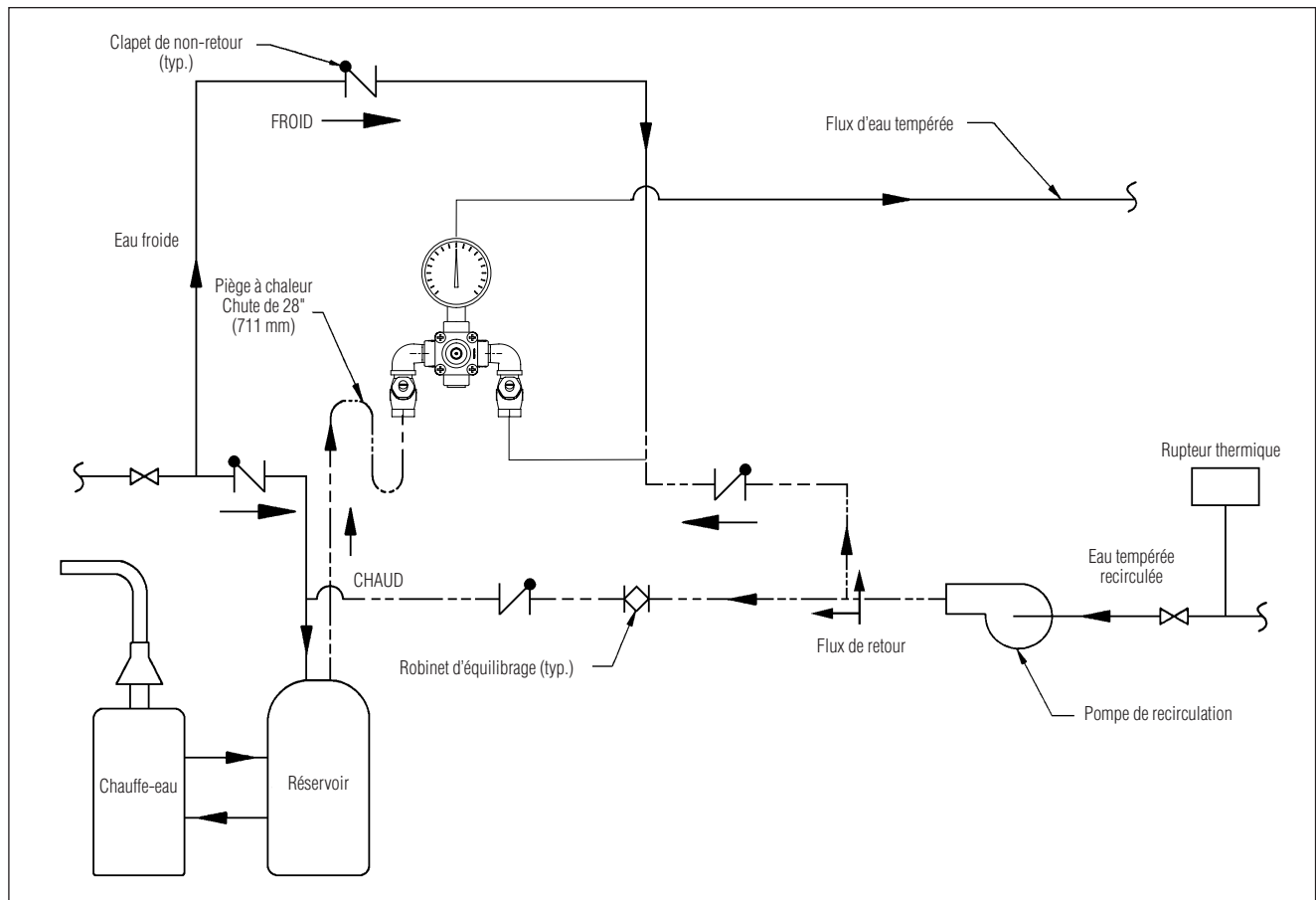
Fermer l'alimentation d'eau froide en fermant le clapet ou le robinet d'arrivée d'eau froide. L'arrivée d'eau froide étant coupée, s'assurer que le débit d'eau chaude a été réduit jusqu'à moins de 0,5 gal/min (1,9 l/min). Si l'eau chaude est coupée, rouvrir complètement l'arrivée d'eau froide.

- Effectuer un essai du système chaque semaine (ouvrir l'arrivée d'eau et vérifier la bonne régulation à la température de consigne souhaitée).

5 Configuration de recirculation d'eau optionnelle



La recirculation de l'eau dans le circuit assure une régulation constante de la température de l'eau. Purger les conduites d'alimentation avec soin après avoir terminé l'installation. Fermer tous les appareils et les condamner provisoirement durant le processus de recirculation.



1. Couper la pompe de recirculation et ouvrir l'alimentation d'eau au niveau de l'appareil d'urgence (un débit d'eau de 11 à 19 l/min [3 à 5 gal/min] est requis).
2. Laisser l'eau s'écouler à travers le système jusqu'à obtenir une température constante. Si la température souhaitée n'est pas obtenue, réajuster la température comme indiqué à l'étape 3 à la page précédente.
3. Dès que l'eau atteint la bonne température, activer la pompe de recirculation (vérifier que la température correcte a été obtenue dans le système avant de poursuivre).
4. Contrôler la température de l'eau au niveau de la pompe de retour. Si la température dépasse le niveau approprié de 1 °C (2 °F), ajuster le rupteur thermique haut (pour arrêter la pompe). Attendre que la température de retour de l'eau soit de 3 °C (5 °F) en dessous du niveau approprié puis ajuster le rupteur thermique bas (pour remettre la pompe en marche).
5. Ouvrir complètement le robinet d'équilibrage.
6. Couper tous les appareils et vérifier qu'aucune eau ne circule à travers le système (le tuyau d'arrivée d'eau froide doit être tiède au toucher).
7. Laisser le système fonctionner pendant 30 minutes ou plus sans eau. Si, au bout de trente minutes, la température de l'eau augmente, elle peut être réajustée en fermant lentement le robinet d'équilibrage jusqu'à atteindre la température qui convient.

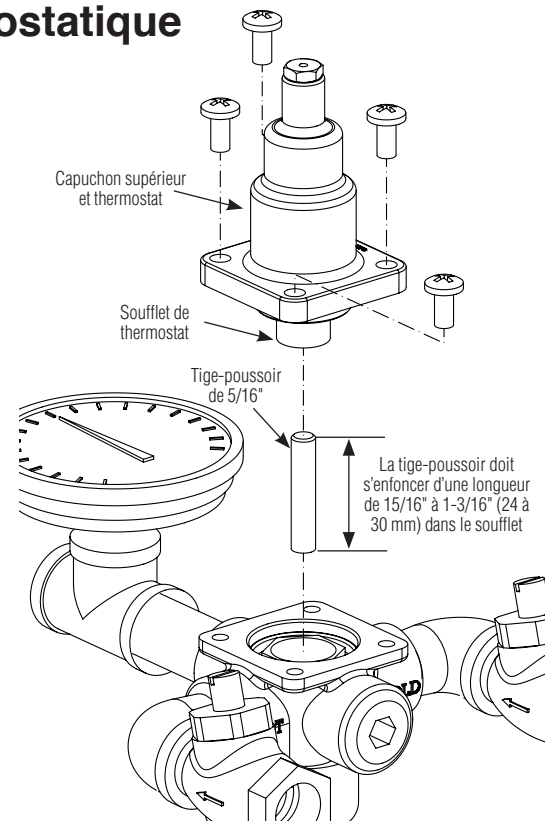
Dépannage du robinet mélangeur thermostatique

Avant d'essayer de dépanner le robinet ou de démonter les composantes, vérifier ce qui suit :

- Les clapets de non-retour sont totalement ouverts (la tige fendue dépasse d'environ 13 mm (1/2 po) du capuchon et tous les robinets d'arrêt d'arrivée et de sortie sont ouverts.
- Les conduites d'arrivée d'eau chaude et froide sont correctement raccordées et il n'existe ni de raccords croisés ni de fuite des clapets de non-retour.
- La sortie du chauffe-eau est d'au moins 11 °C (20 °F) au-dessus de la température de consigne.



Veiller à bien fermer les robinets d'arrêt adéquats avant de démonter le robinet et de les rouvrir après inspection et une fois la réparation terminée.

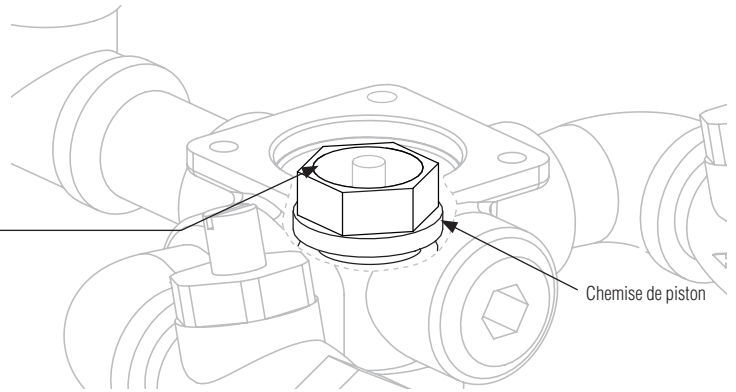


Problème	Cause	Solution
Fuites externes dans le système	Les joints NPT ou les joints toriques sont endommagés.	Remplacer les joints NPT et/ou joints toriques le cas échéant. Pour tout remplacement de joints toriques, contacter le représentant Bradley et lui demander un Kit de joint torique (S65-170).
Pas de circulation d'eau chaude (eau froide seulement)	Défaillance du thermostat suivie de l'activation de la vanne d'arrêt de sécurité.	Contrôler le thermostat : 1. Déposer le capuchon supérieur et le thermostat. 2. Enfiler la tige-poussoir de Ø 5/16 po dans le soufflet de thermostat.
Débit d'eau limité	Le robinet d'arrêt d'arrivée est partiellement fermé ou la pression d'eau a fortement chuté.	3. Marquer la longueur dont la tige s'enfonce dans le soufflet (à température ambiante, sous une force de 45 N [10 lb], cette longueur doit être d'environ 24 à 30 mm [15/16 à 1-3/16 po]). 4. Si la longueur de tige-poussoir n'est pas dans l'intervalle correct, le thermostat doit être changé (il n'est pas réparable). Contacter le représentant Bradley et lui demander un Kit de thermostat (S65-171).
	Accumulation de saleté et de débris sur le tamis ou le siège de clapet, ce qui limite le mouvement des clapets de non-retour.	Nettoyer les clapets de non-retour : démonter les clapets de non-retour, nettoyer le siège et remonter. Ne pas déposer le siège. Brosser les pièces avec une petite brosse métallique pour éliminer les débris. Utiliser une pince à épiler pour extraire les débris du siège. Si le clapet de non-retour doit être changé, contacter le représentant Bradley et lui demander un Kit de clapet de non-retour (S27-102 - Laiton brut ou S27-292A - Chrome).
Fluctuation de température ou température incorrecte	Les sections de clapet de non-retour du robinet ne bougent pas librement.	Nettoyer les clapets de non-retour comme décrit ci-dessus.
	Lente défaillance du thermostat.	Contrôler le thermostat comme décrit plus haut ou le changer.
	La conduite d'alimentation d'arrivée vers le robinet mélangeur est partagée avec d'autres machines qui ne sont utilisées que périodiquement, telles que des machines à laver ou des stations à grand débit. Cela peut réduire la pression d'arrivée au robinet mélangeur à moins de 3 PSI. La section de la conduite d'alimentation peut être insuffisante pour alimenter à la fois le robinet et les autres appareils.	Augmenter la section de la conduite d'alimentation, reconfigurer l'alimentation ou réguler l'usage de l'alimentation.
	La recirculation est déséquilibrée.	Examiner la configuration de recirculation à la page 12.
	Le piston ne bouge pas librement et doit être nettoyé.	Voir les instructions de démontage et de nettoyage du piston à la page suivante.

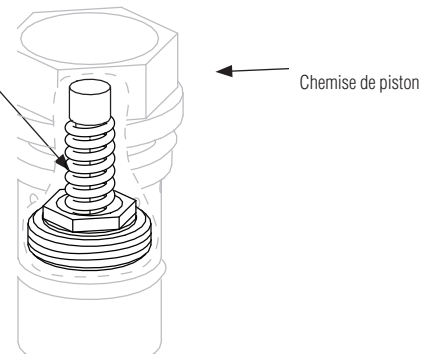
Dépannage : Démontage du piston et nettoyage

A Déposer le capuchon supérieur et le thermostat comme indiqué à la page 13. Mettre la tige-poussoir de 5/8 po de côté.

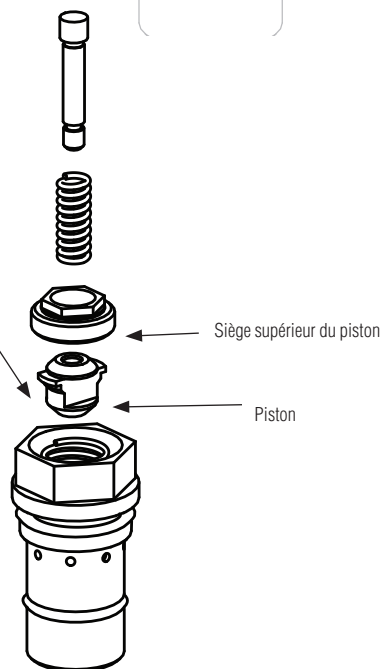
B À l'aide d'une clé à douille de 15/16 po, desserrer la chemise de piston du corps de robinet et l'extraire avec une pince à becs fins.



C À l'aide d'une clé à douille longue de 1/2 po, desserrer le siège supérieur du piston de la chemise de piston et extraire les pièces avec une pince à becs fins.

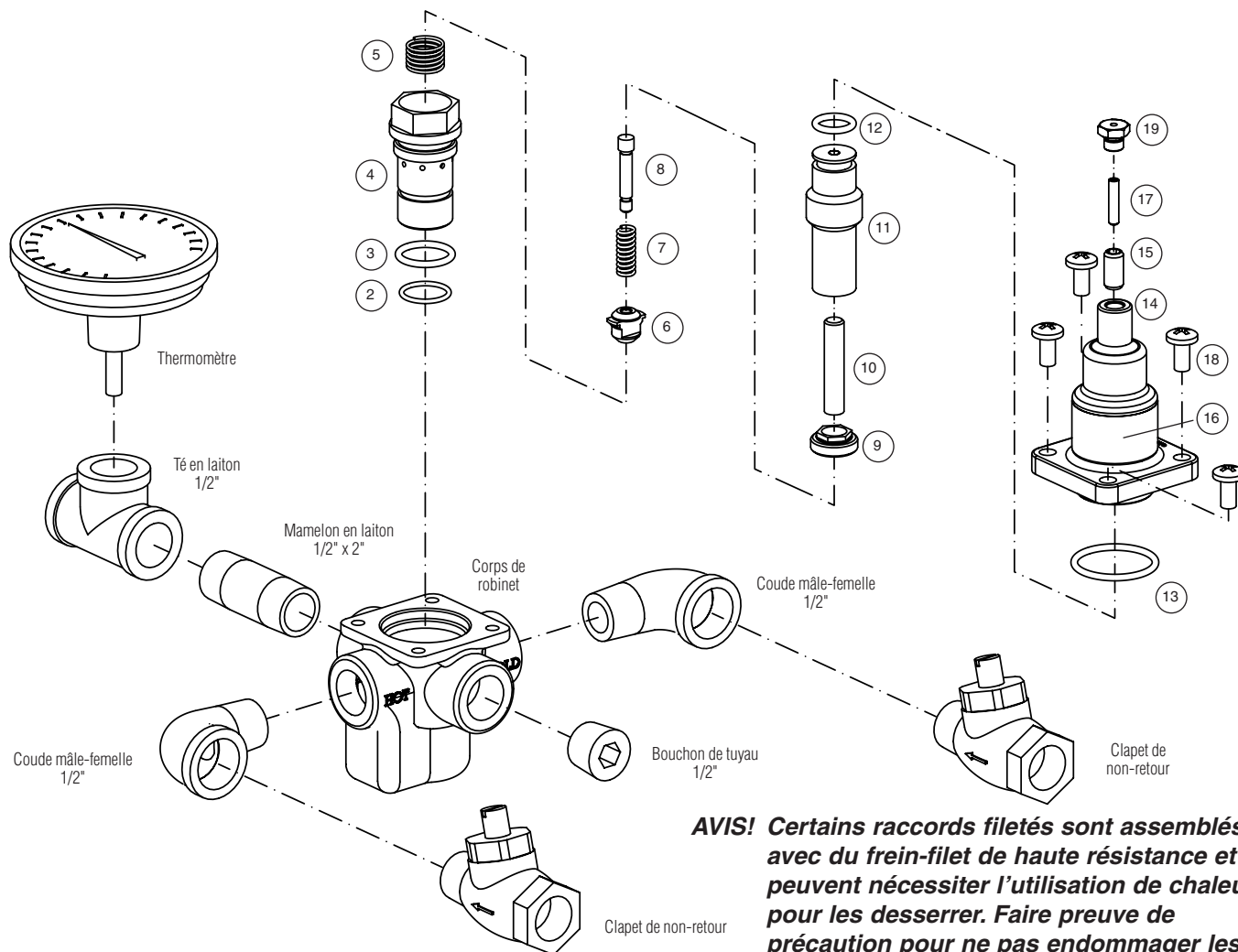


D Démontez et nettoyez les pièces du piston avec tout produit nettoyant convenant pour le laiton et l'acier inoxydable (le cas échéant, utiliser du papier de verre 400 grains pour polir et rectifier le piston et la chemise).



E Remonter le piston. Pousser le mécanisme vers le haut et la bas à plusieurs reprises pour vérifier que le piston bouge régulièrement et sans grippage. Si le mouvement n'est pas régulier, répéter la procédure D jusqu'à ce qu'il bouge librement ou le changer. Contacter le représentant Bradley et lui demander un Kit de piston/chemise (réf. S65-172).

Liste des pièces



AVIS! Certains raccords filetés sont assemblés avec du frein-filet de haute résistance et peuvent nécessiter l'utilisation de chaleur pour les desserrer. Faire preuve de précaution pour ne pas endommager les joints toriques et autres pièces.

Kit Thermostat S65-171

Repère	Qté	Désignation
11	1	Thermostat
12	1	Joint torique
13	1	Joint torique

Kit Piston et chemise S65-172

Repère	Qté	Désignation
2	1	Joint torique
3	1	Joint torique
4	1	Chemise
5	1	Ressort
6	1	Piston
7	1	Ressort
8	1	Vis de surchauffe
9	1	Siège supérieur

Kit Joint torique S65-170

Repère	Qté	Désignation
2	1	Joint torique
3	1	Joint torique
12	1	Joint torique
13	1	Joint torique

Kit Portion centrale S65-303

Repère	Qté	Désignation
2	1	Joint torique
3	1	Joint torique
4	1	Chemise
5	1	Ressort
6	1	Piston
7	1	Ressort
8	1	Vis de surchauffe
9	1	Siège supérieur
10	1	Tige-poussoir
11	1	Thermostat
12	1	Joint torique
13	1	Joint torique
14	1	Capuchon de commande
15	1	Vis calante
16	1	Étiquette
17	1	Vis calante
18	4	Vis 1/4
19	1	Capuchon

Conduites de raccordement flexibles pour S19-2000EFX

Pour une utilisation avec S19294JB, S19294JBT, commander réf. 269-653 (3 fournis avec le robinet).



Numéros de kit pour la finition en laiton brut. Contacter Bradley pour toute autre configuration.



À compter de novembre 2001, le piston (repère 7) remplace directement le support de joint et le joint.



À compter de juin 2008, le capuchon de commande en laiton (repère 15) est remplacé par un capuchon en plastique. Toutes les pièces internes sont identiques.



À compter d'juillet 2012, la commande de réglage de température (repères 15, 17 et 19) est reconfigurée et compatible avec tous les modèles à capuchon de commande en plastique (juin 2008 à actuel).

Información de seguridad

Para garantizar el funcionamiento correcto:

Instalación

No realizar una instalación correcta ni seguir las instrucciones de mantenimiento podría contribuir a una falla de la válvula, lo que puede provocar lesiones corporales graves como quemaduras, lesiones por frío o la muerte, dependiendo de los cambios de presión del agua del sistema y los cambios de temperatura del agua del sistema.

Use esta válvula mezcladora termostática de acuerdo con la norma ASSE 1071.

Cuando se instala de acuerdo con la norma ASSE 1071, la válvula está diseñada para instalarla solo en aplicaciones de accesorios, como lavajos y lavajos/lavacara de emergencia. Cuando se instala como una válvula ASSE 1071, la válvula no funciona como una válvula ASSE 1016, ASSE 1017, ASSE 1069 o ASSE 1070.

Esta válvula no se debe usar donde se exijan dispositivos de la norma ASSE 1016.

El funcionamiento de los accesorios y las válvulas mezcladoras termostáticas se debe probar semanalmente conforme a ANSI/ISEA Z358.1.

Esta válvula no ofrece protección contra el congelamiento de las tuberías.

Deberá ser posible acceder a las válvulas para realizar pruebas, ajustes y mantenimiento en la posición instalada.

Si se instalan válvulas de retención para fines de mantenimiento, se deben tomar medidas para evitar el corte no autorizado.

La instalación de este sistema la debe realizar un plomero calificado según los códigos nacionales y locales. Es responsabilidad del instalador cumplir cabalmente los códigos y las ordenanzas locales. Si estos códigos difieren de la información en este manual, siga los códigos locales. Consulte con las autoridades locales si existen requisitos locales adicionales.

Inspecciones

Es necesario revisar y limpiar regularmente los componentes internos y los topes de retención de la válvula para extender al máximo la vida útil de esta y el funcionamiento adecuado del producto. Se necesita una inspección periódica y el mantenimiento anual por parte de un contratista con licencia. Las condiciones corrosivas del agua y los ajustes o reparaciones no autorizados podrían dejar a la válvula inservible para el servicio que debe proporcionar. La frecuencia de limpieza e inspección depende de las condiciones locales del agua.

La temperatura de salida de la válvula se debe revisar y ajustar en la instalación inicial y luego, cada tres meses.

Temperatura del agua

El ajuste final de temperatura es responsabilidad del instalador.

Materiales recomendados para la instalación

- Cierre bloqueable en la salida si se suministra agua temperada a uno o más accesorios de emergencia.
- Cierre bloqueable de las entradas o de los suministros.
- (6) anclajes y sujetadores de pared de 1/4 pulg. para el gabinete montado en la superficie.
- (4) sujetadores de 1/4 pulg. (y anclajes de pared, si fuera necesario) para el gabinete empotrado.
- Uniones en todas las conexiones para facilitar el retiro de la válvula.

Herramientas necesarias para el ajuste de temperatura

- Llave Allen de 5/64 pulg.
- Destornillador de paleta.

1 Instale el gabinete opcional (si no va a instalar el gabinete, siga con el Paso 2)



Si se instala el modelo S19-2000EFX en el gabinete lavajos desplegable S19294JB, S19294JBT, consulte las instrucciones de montaje que se suministran con el gabinete.

Gabinete empotrado:

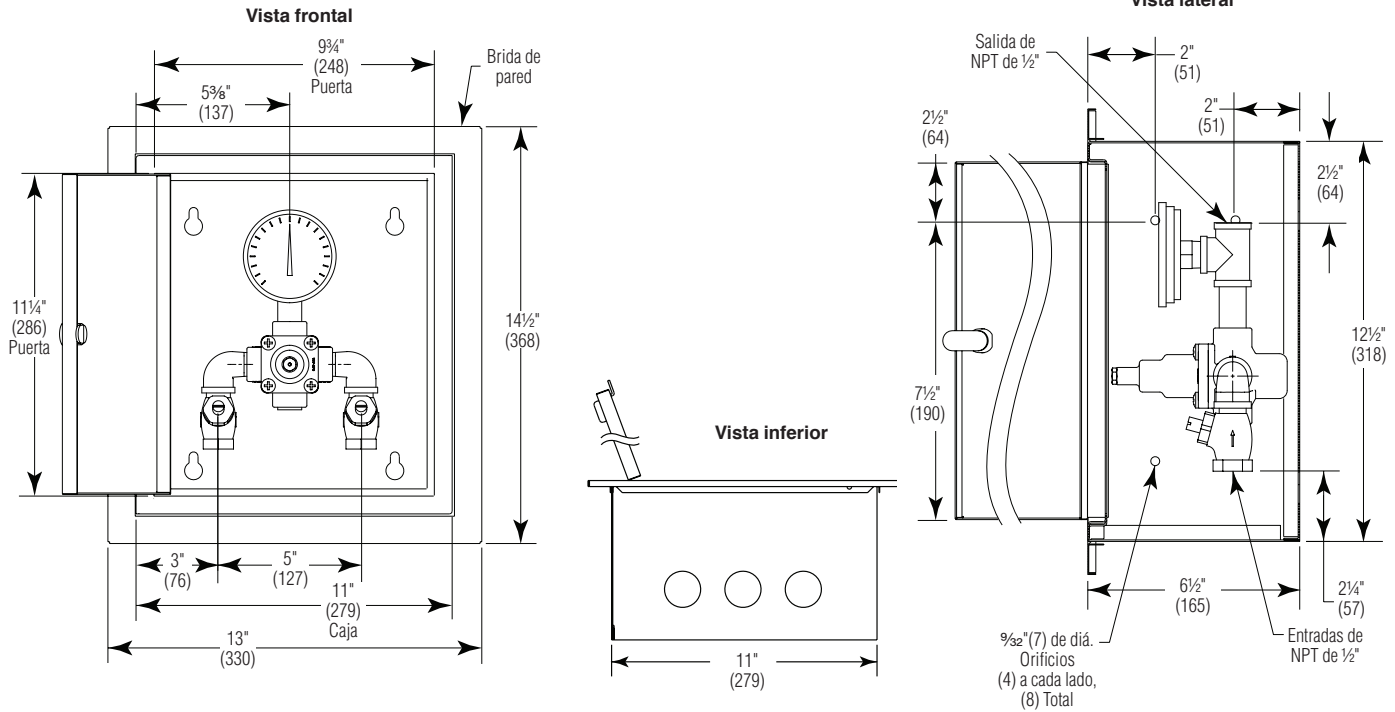
1. Orificio de colocación en la pared de 292 mm (11-1/2 pulg.) de ancho x 330 mm (13 pulg.) de alto.
2. Inserte y fije el gabinete con cuatro sujetadores de 1/4 pulg. (proporcionado por el instalador) anclados apropiadamente a la pared.
3. Instale los dos anclajes y tornillos a través del soporte de la válvula en la parte trasera del gabinete en una abrazadera firme (proporcionada por el instalador) o en la pared. Esto servirá de apoyo a la válvula.
4. Instale los niples de la válvula y la mitad de la válvula de bolas de la unión, usando sellador para tubos o cinta de teflón. Instale la otra mitad de la válvula de bolas de la unión en el tubo de entrada y salida.
5. Inserte la válvula en el soporte del gabinete (primero el lado derecho). Continúe con el procedimiento de instalación de la válvula.
6. Ponga firmemente la brida de pared en la pared y aplique masilla para fijarla en su lugar.

Gabinete montado en la superficie:

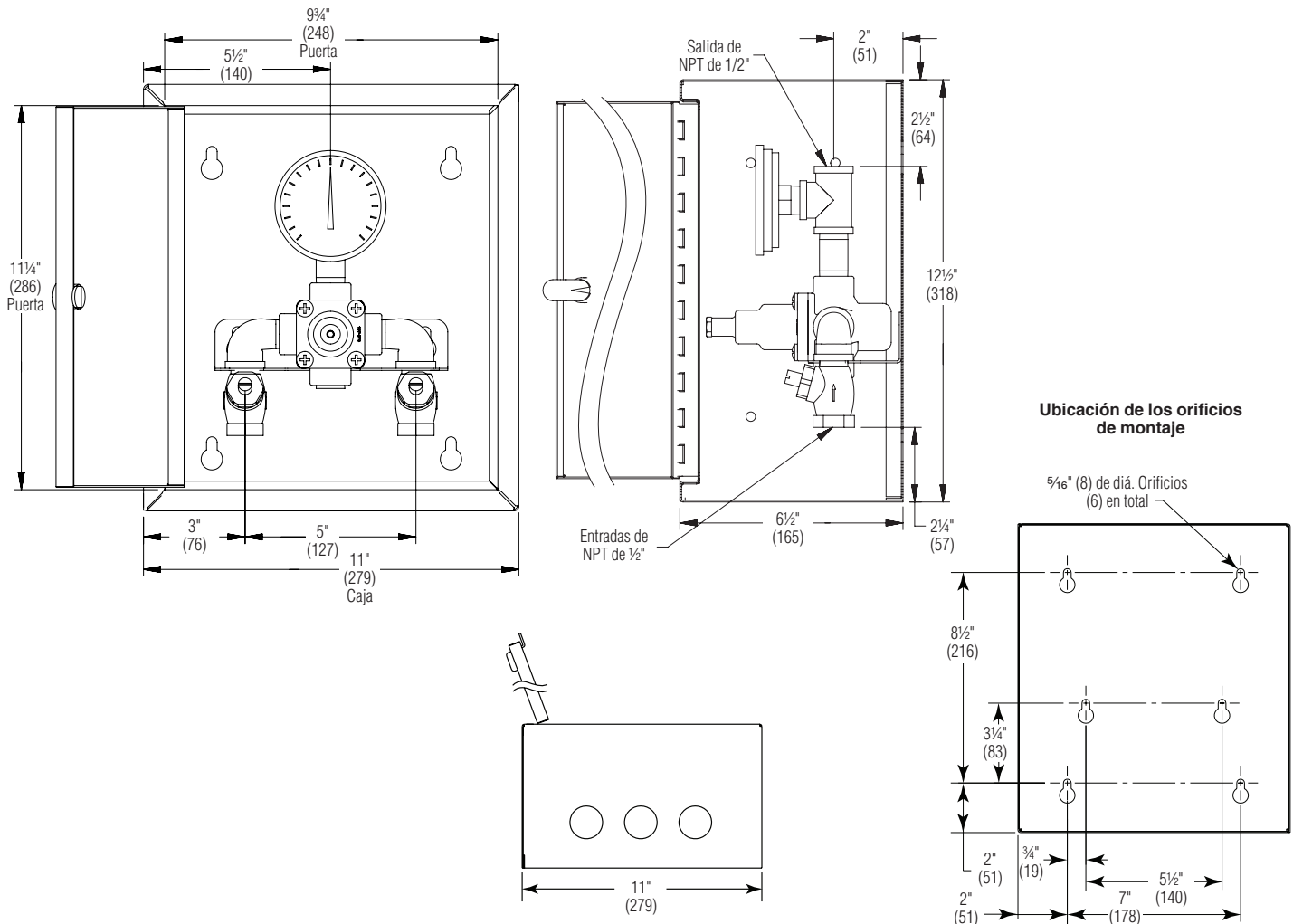
1. Mida y marque la ubicación de los orificios de montaje del gabinete en las dimensiones que se muestran en la siguiente página. Instale seis anclajes de pared de 3/8 pulg. (proporcionados por el instalador).
2. Ponga el gabinete en la pared y fíjelo en su lugar con seis sujetadores de pared de 3/8 pulg. (proporcionados por el instalador).
3. Instale los niples de la válvula y la mitad de la válvula de bolas de la unión, usando sellador para tubos o cinta de teflón. Luego, instale la otra mitad de la válvula de bolas de la unión en el tubo de entrada y salida.
4. Inserte la válvula en el soporte del gabinete (primero el lado derecho de la válvula). Continúe con el procedimiento de instalación de la válvula.

Gabinete empotrado opcional

(mm)

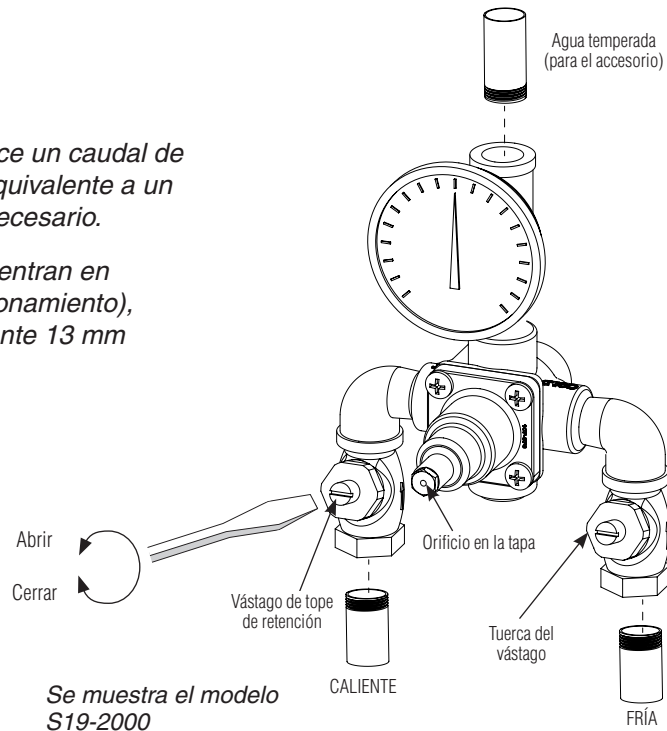


Gabinete opcional montado en la superficie



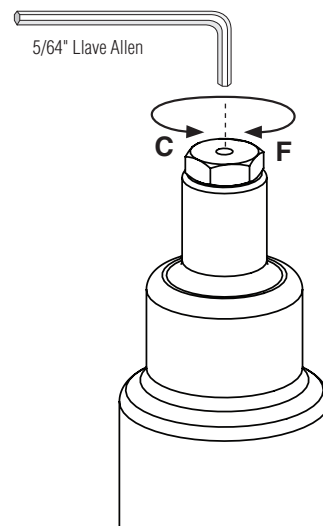
2 Conecte las tuberías de suministro e instale el termómetro

- ✓ *Revise si hay filtraciones, presurizando la unidad LENTAMENTE.*
- ✓ *Revise la temperatura cuando se alcance un caudal de agua de 11 a 19 LPM (3 a 5 gpm) (lo equivalente a un lavado ocular o facial) y ajuste de ser necesario.*
- ✓ *Cuando los topes de retención se encuentran en la posición de abertura completa (funcionamiento), el vástago se extenderá aproximadamente 13 mm (1/2 pulg.) desde la tuerca.*



3 Ajuste la temperatura con el agua corriendo

- ✓ *Revise la temperatura cuando se alcance aproximadamente un caudal de agua de 11 a 19 LPM (3 a 5 gpm) (lo equivalente a un lavado ocular).*
- ✓ *Ningún accesorio de emergencia que proporcione este dispositivo tiene un caudal mínimo inferior a 5,7 L/min.*
- ✓ *Se debe revisar la temperatura final de este dispositivo y ajustarla, según sea necesario. La configuración estándar de la temperatura predeterminada de fábrica es de 29 °C (85 °F) (el rango de la válvula es de 18 °C a 32 °C [65 °F a 90 °F]). Para ajustar, inserte la llave Allen a través del orificio en la tapa, en el tornillo de ajuste. Consulte a las autoridades médicas o de seguridad correspondientes sobre la temperatura óptima recomendada para la aplicación en particular.*



4 Unidad de prueba ¡NO SE SALTE ESTE PASO!

Cierre la válvula de entrada de agua caliente o la válvula de retención de suministro para cortar el suministro de agua caliente. Con el suministro de agua caliente cerrado, verifique que siga fluyendo agua fría. Si el agua fría fluye correctamente, vuelva a abrir el suministro de agua caliente.

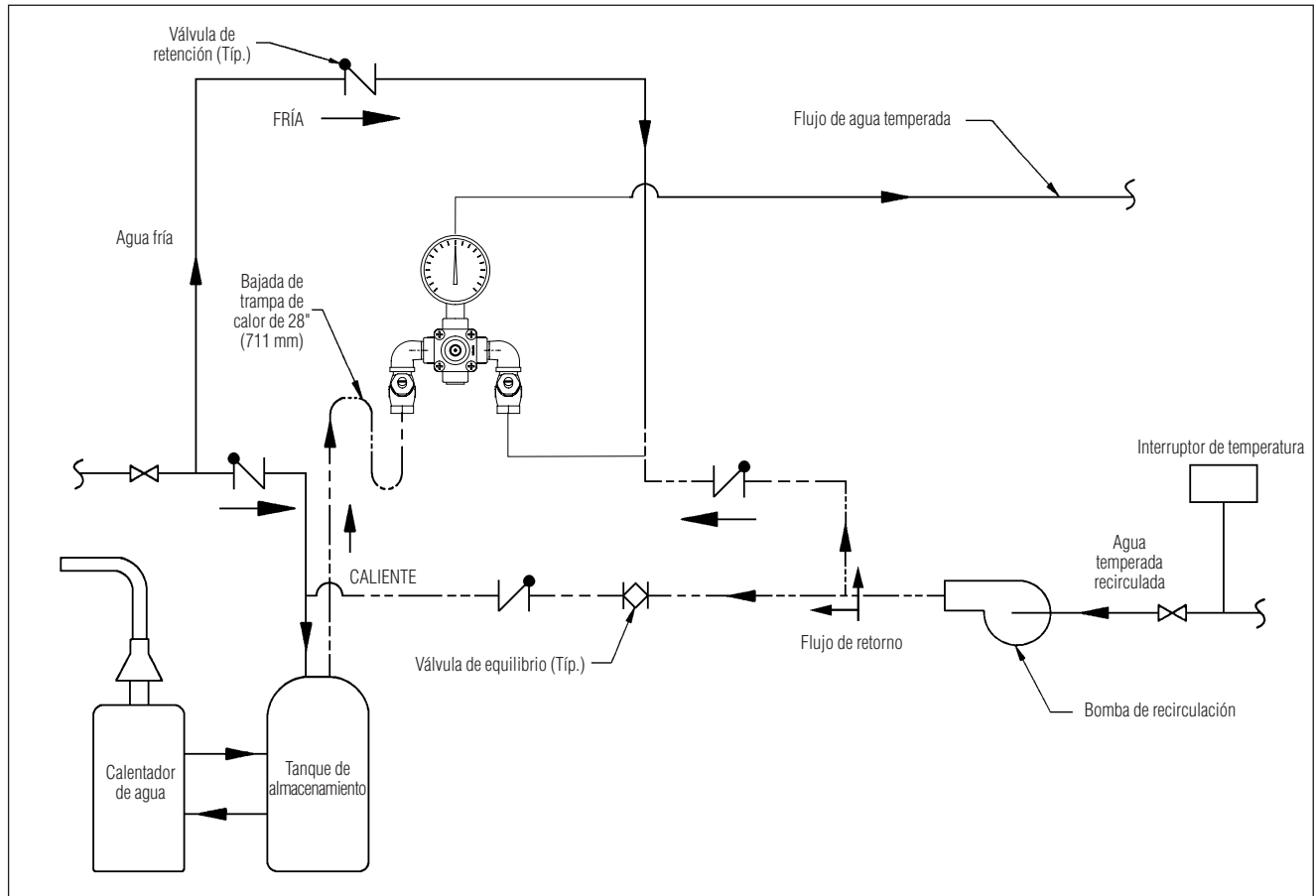
Cierre la válvula de entrada de agua fría o la válvula de retención de suministro para cortar el suministro de agua fría. Con el suministro de agua fría cerrado, verifique que se haya detenido el flujo de agua caliente a menos de 1,9 LPM (0,5 gpm). Si se detiene el agua caliente, vuelva a abrir completamente el suministro de agua fría.

- ✓ *Pruebe el sistema semanalmente (abra el suministro de agua y verifique que el control de la temperatura establecida que se desea sea constante).*

5 Instalación de recirculación opcional de agua



La recirculación del agua en el sistema proporciona regulación constante de la temperatura del agua. Purgue las tuberías de suministro completamente antes de terminar la instalación. Cierre todos los accesorios y etiquételos como no disponibles para usarse durante el proceso de recirculación.



1. Apague la bomba de recirculación y abra el suministro de agua en los accesorios de emergencia (se requiere un caudal de agua de 11 a 19 LPM [3 – 5 GPM]).
2. Deje que el agua corra a través del sistema hasta que alcance una temperatura constante. Si no obtiene la temperatura necesaria, consulte el paso n.º 3 en la página anterior para volver a ajustar la temperatura.
3. Tan pronto como el agua alcance la temperatura apropiada, encienda la bomba de recirculación (antes de proceder, asegúrese de que se haya alcanzado la temperatura adecuada en el sistema).
4. Revise la temperatura del agua en la bomba de retorno. Si la temperatura excede el nivel apropiado en 1 °C (2 °F), ajuste el interruptor del límite superior de temperatura (esto apagará la bomba). Espere hasta que la temperatura del agua de retorno esté a 3 °C (5 °F) por debajo del nivel apropiado y ajuste el interruptor del límite inferior (esto volverá a encender la bomba).
5. Abra completamente la válvula de equilibrio.
6. Desconecte todos los accesorios y asegúrese de que no fluya agua por el sistema (el tubo de entrada de agua fría debe sentirse tibio al tacto).
7. Deje que el sistema funcione sin agua durante 30 minutos o más. Si, después de treinta minutos, aumenta la temperatura del agua, puede volver a ajustar la temperatura cerrando lentamente la válvula de equilibrio hasta que se alcance la temperatura adecuada.

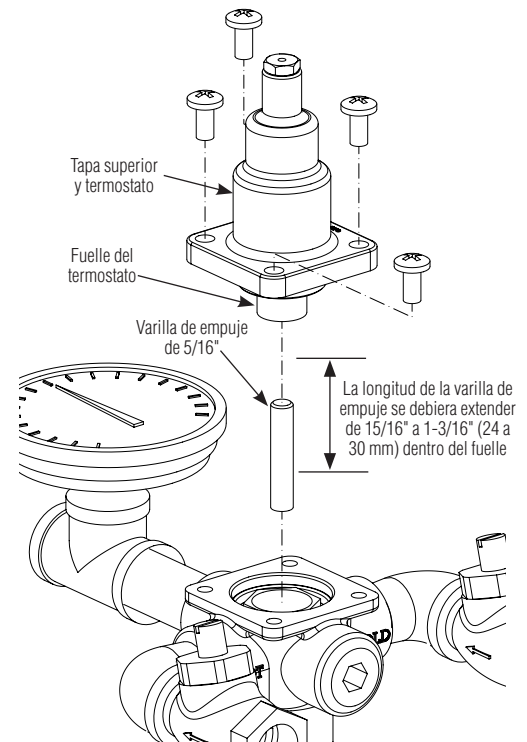
Solución de problemas de la válvula mezcladora termostática

Antes de intentar solucionar problemas de la válvula o desensamblar los componentes, revise lo siguiente:

- Que las válvulas de cierre o retención estén completamente abiertas (el vástago ranurado se extienda aproximadamente 13 mm (1/2 pulg.) a partir de la tuerca del vástago) y que estén abiertas todas las válvulas de retención de entrada y salida
- Que los tubos de entrada de agua caliente y fría estén conectados correctamente y que no existan conexiones cruzadas ni válvulas de cierre o retención con filtraciones.
- La salida del calentador de agua esté al menos a 11 °C (20 °F) por sobre la temperatura establecida.



Asegúrese de cerrar las válvulas de retención correspondientes antes de desensamblar la válvula, y vuelva a abrir las válvulas después de completar la inspección y la reparación.



Problema	Causa	Solución
Filtraciones externas en el sistema	Es posible que se hayan dañado las juntas NPT o las juntas tóricas.	Reemplace las juntas NPT o las juntas tóricas, donde sea necesario. Para el reemplazo de las juntas tóricas, comuníquese con el representante local de Bradley y consulte por el kit (S65-170) de sellos de juntas tóricas.
No fluye agua caliente (fluye solamente agua fría)	Falló el termostato y, en consecuencia, se activó la retención de seguridad.	Inspección del termostato: 1. Retire el termostato y la tapa superior. 2. Inserte una varilla de empuje de 5/16 pulg. de diá. en el fuelle del termostato. 3. Marque la distancia en que la varilla de empuje se extiende dentro del fuelle (a temperatura ambiente, con 45 N [10 lb] de fuerza, la distancia debiera ser aproximadamente de 24 a 30 mm [15/16 pulg. a 1-3/16 pulg.]). 4. Si la longitud de la varilla de empuje no está en el rango apropiado, se debe reemplazar el termostato (no se puede reparar). Comuníquese con el representante local de Bradley y consulte por el Kit (S65-171) del termostato.
Flujo limitado de agua	Es posible que la entrada de la válvula de retención esté parcialmente cerrada o haya disminuido significativamente la presión de agua. Se acumuló suciedad y desechos en la rejilla o asiento de retención, limitando el movimiento de cierre y retenciones.	Limpie las válvulas de cierre y retención: Retire el cierre y las retenciones, limpie el asiento y vuelva a ensamblar la válvula. No retire el asiento. Los componentes se pueden cepillar con un cepillo de alambre de tamaño pequeño para eliminar los desechos. Un par de pinzas funciona bien para sacar los desechos del asiento. Si es necesario reemplazar el cierre y las retenciones, comuníquese con el representante local de Bradley y consulte por el kit (S27-102: Bronce áspero o S27-292A: Cromo) de retención/cierre.
Fluctuación de la temperatura o temperatura incorrecta	Las secciones de cierre y retención de la válvula no se mueven libremente.	Limpie las válvulas de cierre y retención como se describe anteriormente.
	El termostato lentamente comienza a fallar.	Revise el termostato como se describe anteriormente o reemplácelo.
	La tubería de suministro de entrada hacia la válvula mezcladora se comparte con otras piezas del equipo que se usan solamente en forma periódica, tales como aparatos de lavandería o estaciones de flujo. Esto puede reducir la presión de entrada hacia la válvula mezcladora a menos de 3 PSI. Es posible que el tamaño de la tubería de suministro no sea lo suficientemente grande para dar suministro a la válvula y a los otros aparatos.	Aumente el tamaño de la tubería de suministro, vuelva a configurar la tubería de suministro o regule el uso del suministro.
	La recirculación no está equilibrada.	Revise la instalación de la recirculación en la página 19.
	El pistón no se mueve libremente y se debe limpiar.	Consulte la página siguiente para ver las instrucciones de desensamble y limpieza.

Solución de problemas: Desensamble y limpieza del pistón

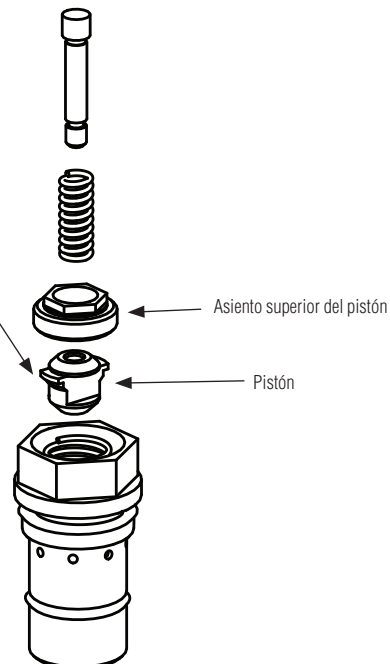
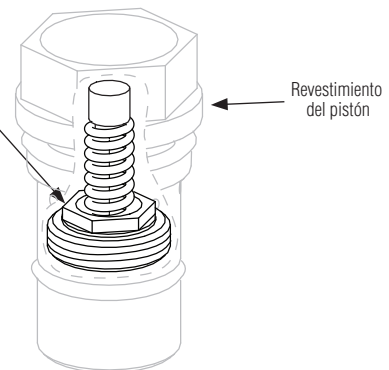
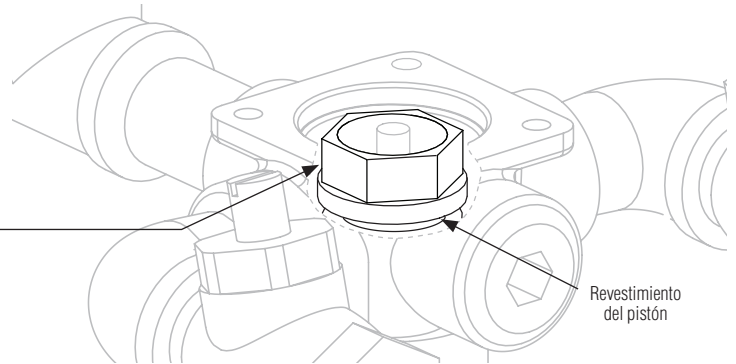
A Retire la tapa superior y el conjunto del termostato según se muestra en la Página 20. Ponga la varilla de empuje de 5/8 pulg. a un costado.

B Con una llave de cubo de 15/16 pulg., afloje el revestimiento del pistón del cuerpo de la válvula y saque las piezas con un alicate de punta de aguja.

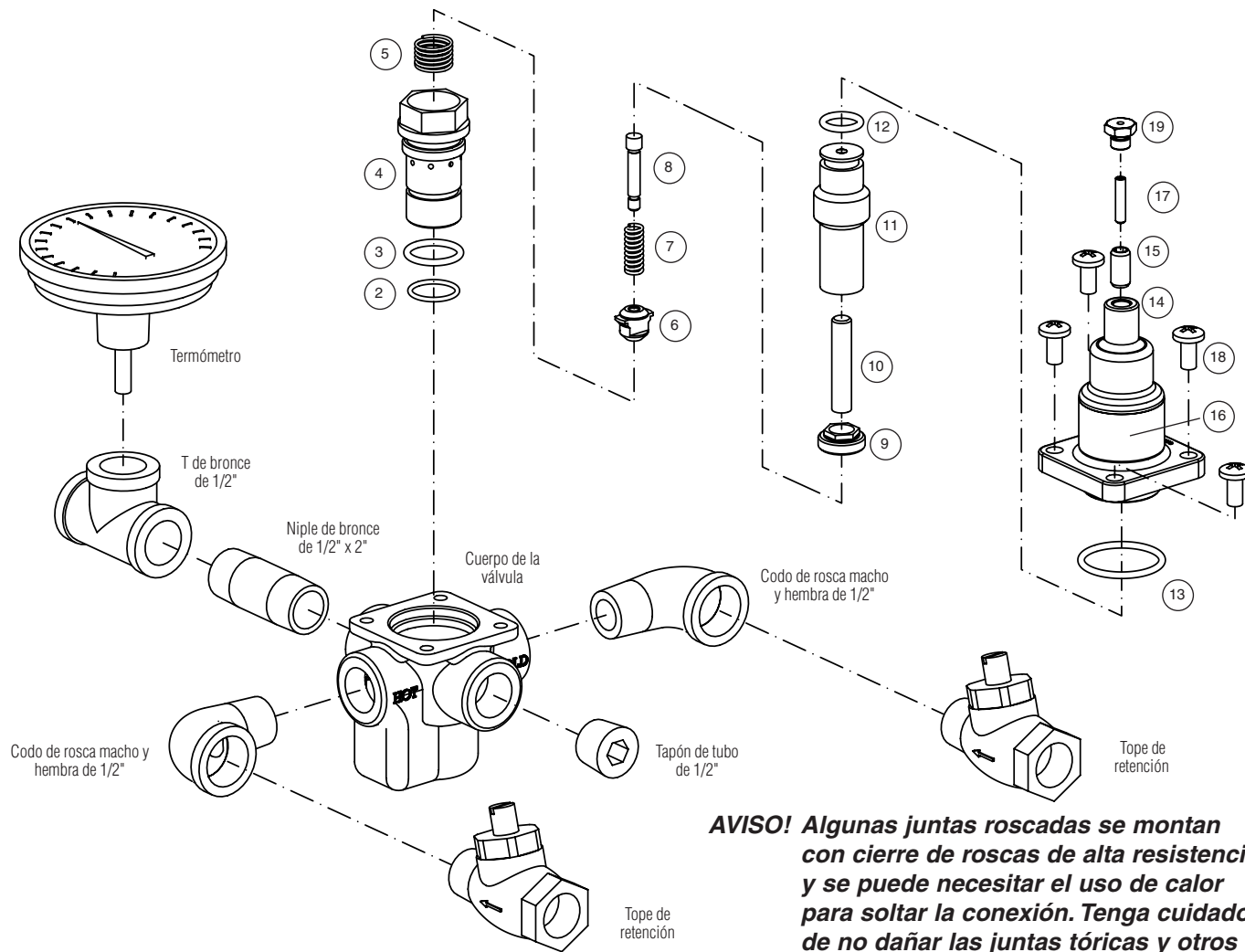
C Con una llave de cubo de 1/2 pulg., afloje el asiento superior del pistón del revestimiento del pistón y saque las piezas con un alicate de punta de aguja.

D Desmonte y limpie las piezas del conjunto del pistón con cualquier limpiador adecuado para la limpieza de bronce y acero inoxidable (de ser necesario, use una lija de grano 400 para pulir y afinar tanto el pistón como el revestimiento).

E Vuelva a ensamblar el conjunto del pistón. Empuje el mecanismo hacia arriba y hacia abajo varias veces para asegurarse de que el pistón se mueva suave y constantemente. Si es constante, repita el Procedimiento D hasta que se mueva libremente o cámbielo. Comuníquese con el representante local de Bradley y consulte por el Kit del pistón y revestimientos (número de pieza S65-172).



Desglose de piezas



AVISO! Algunas juntas roscadas se montan con cierre de roscas de alta resistencia y se puede necesitar el uso de calor para soltar la conexión. Tenga cuidado de no dañar las juntas tóricas y otros componentes.

Kit S65-171 del termostato

Artículo	Cantidad	Descripción
11	1	Termostato
12	1	Junta tórica
13	1	Junta tórica

Kit S65-172 del pistón y revestimientos

Artículo	Cantidad	Descripción
2	1	Junta tórica
3	1	Junta tórica
4	1	Revestimiento
5	1	Resorte
6	1	Pistón
7	1	Resorte
8	1	Tornillo de sobrecalentamiento
9	1	Asiento superior

Kit S65-170 de juntas tóricas

Artículo	Cantidad	Descripción
2	1	Junta tórica
3	1	Junta tórica
12	1	Junta tórica
13	1	Junta tórica

Kit S65-303 de la sección central

Artículo	Cantidad	Descripción
2	1	Junta tórica
3	1	Junta tórica
4	1	Revestimiento
5	1	Resorte
6	1	Pistón
7	1	Resorte
8	1	Tornillo de sobrecalentamiento
9	1	Asiento superior
10	1	Varilla de empuje
11	1	Termostato
12	1	Junta tórica
13	1	Junta tórica
14	1	Tapa de control
15	1	Tornillo de ajuste
16	1	Etiqueta
17	1	Tornillo de ajuste
18	4	Tornillo de 1/4
19	1	Tapa

Tuberías flexibles de conexión para el modelo S19-2000EFX

Cuando se usa con el modelo S19294JB, S19294JBT, el n.º de solicitud de pieza es 269-653 (se suministran 3 con la unidad).



Números de kit para acabado de bronce áspero. Comuníquese con Bradley para consultar por otras configuraciones.



A partir de noviembre de 2001, el pistón (artículo 7) reemplaza al soporte del sello y al sello como un repuesto directo.



A partir de junio de 2008, la tapa de control de bronce (artículo 15) se reemplazó por una tapa de plástico. Todos los componentes internos son idénticos.



A partir de julio de 2012, se ha actualizado el control de ajuste de temperatura (artículos 15, 17 y 19) y con compatibles con todas las unidades que usen la tapa de control plástica (junio de 2008 hasta la actualidad).