

# Ball Check Valve

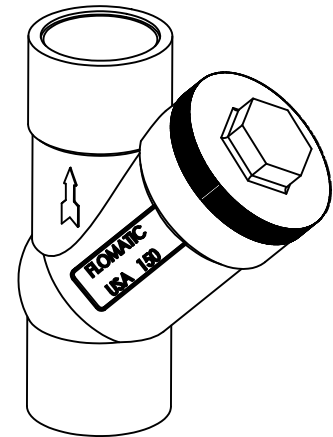
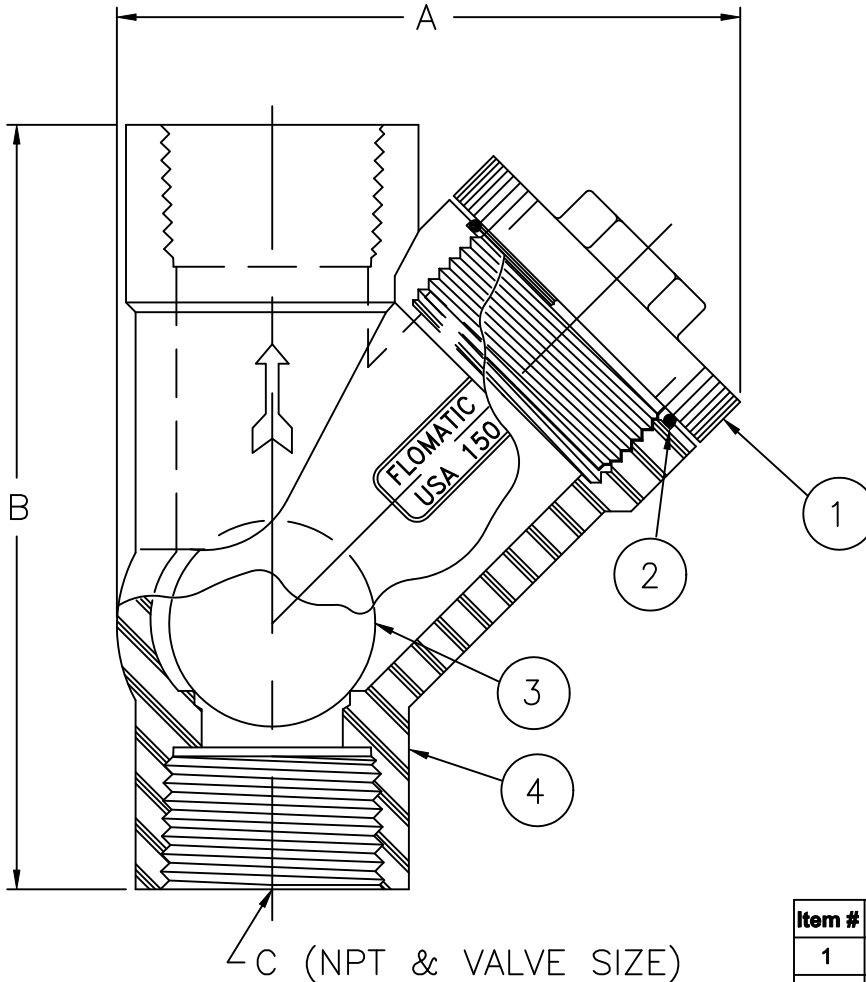
# Model 208T



Sizes 1" Thru 2" / 25mm thru 50mm

## Materials

**NOTE: PLASTIC VALVES SHOULD NOT BE BURIED UNDERGROUND**



Item #	Qty	Description	Material
1	1	Cap	PVC
2	1	O'Ring	Buna-n
3	1	Ball (Sinking)	Buna-n
4	1	Body	PVC
5	2	Bushing (not shown)*	PVC

\*Uses bushing not shown

Max Temp 150°F (65°C)

Max Inlet Pressure 100 psi (7 bar)

## Dimensions

Size		Part #	A		B		Weight	
inch	mm		inch	mm	inch	mm	lbs	kg
1*	25	2131-T*	4-1/2	114	6-27/32	174	1	.45
1-1/4	32	2132-T	4-1/2	114	5-21/32	144	1	.45
1-1/2*	40	2133-T*	6-11/32	161	8-13/64	208	2	.91
2	50	2134-T	6-11/32	161	7-1/16	179	2	.91

Flomatic Corporation can accept no responsibility for possible errors in catalogues, brochures and other printed material. Flomatic Corporation reserves the right to alter its products without notices. This also applies to product already agreed. All trademarks in this material are property of the respective companies. All right reserved. ©2016 Flomatic Corporation. The drawings & information on this drawing sheet are the sole & exclusive property of Flomatic Corporation. Any reproduction, distribution, display or use of these drawings or information in whole or in part without written authorization of Flomatic Corporation is strictly prohibited.



November 1, 1991  
Dwg No:S2131-34 Rev: L (11/16)

FLOMATIC CORPORATION  
GLENS FALLS, N.Y. 12801  
PHONE (518) 761-9797  
FAX (518) 761-9798

# Ball Check Valve

Sizes 1" Thru 2" / 25mm thru 50mm

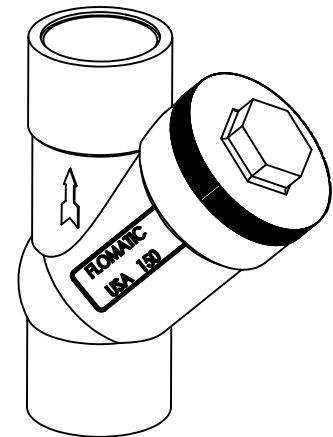
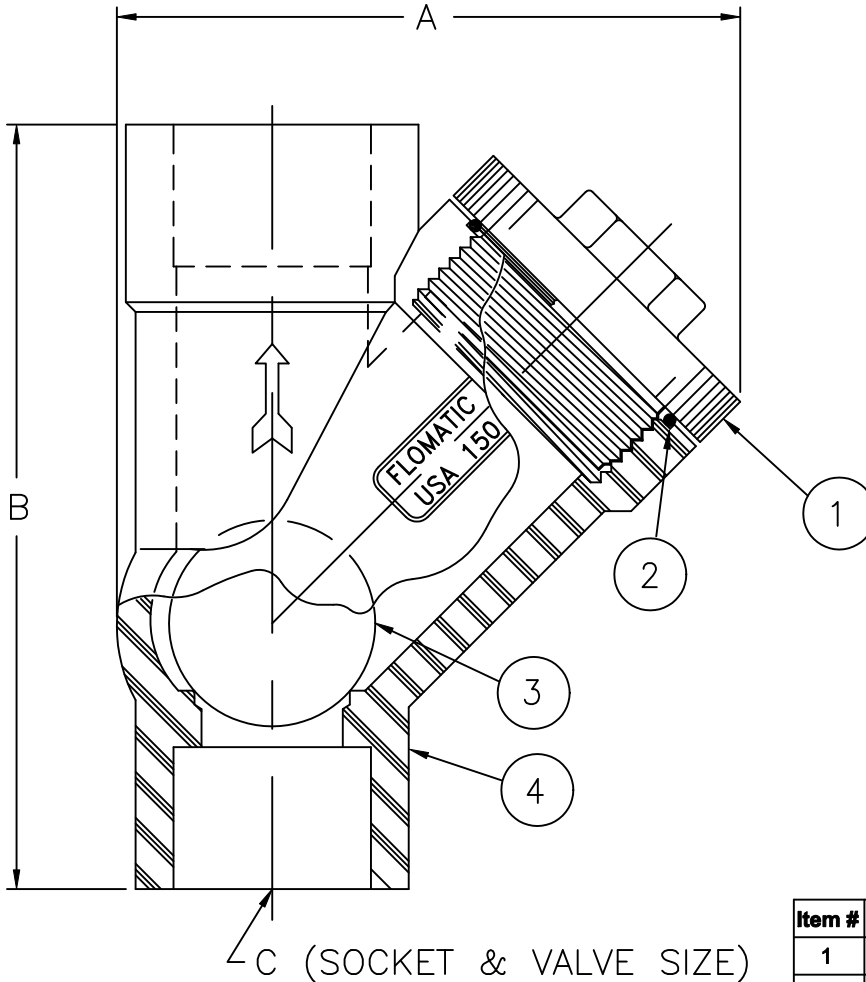
Model 208S



Flomatic Corporation

## Materials

**NOTE: PLASTIC VALVES SHOULD NOT BE BURIED UNDERGROUND**



Item #	Qty	Description	Material
1	1	Cap	PVC
2	1	O'Ring	Buna-n
3	1	Ball (Sinking)	Buna-n
4	1	Body	PVC
5*	2	Bushing (not shown)*	PVC

\*Uses bushing not shown  
Max Temp 150°F (65°C)

Max Inlet Pressure 100 psi (7 bar)

## Dimensions

Size		Part #	A		B		Weight	
Inch	mm		inch	mm	inch	mm	lbs	kg
1*	25	2131-S*	4-1/2	114	6-25/32	172	1	.45
1-1/4	32	2132-S	4-1/2	114	5-5/8	143	1	.45
1-1/2*	40	2133-S*	6-11/32	161	8-13/64	208	2	.91
2	50	2134-S	6-11/32	161	7-1/16	179	2	.91

Flomatic Corporation can accept no responsibility for possible errors in catalogues, brochures and other printed material. Flomatic Corporation reserves the right to alter its products without notices. This also applies to product already agreed. All trademarks in this material are property of the respective companies. All right reserved. ©2016 Flomatic Corporation. The drawings & information on this drawing sheet are the sole & exclusive property of Flomatic Corporation. Any reproduction, distribution, display or use of these drawings or information in whole or in part without written authorization of Flomatic Corporation is strictly prohibited.



JUNE 30, 2008  
Dwg No: S2131-34S Rev: C (11/16)

FLOMATIC CORPORATION  
GLENS FALLS, N.Y. 12801  
PHONE (518) 761-9797  
FAX (518) 761-9798