



## ACS-2 & 3

### AUXILIARY CONDENSATE OVERFLOW SAFETY SWITCH



#### Features

- Easy to install, inspect and maintain
- Compact design mounts to side of A/C condensate drain pans
- Detects high condensate levels in drain pans and shuts off the system
- Can be installed to activate audible or visual alarm circuitry
- UR/cCSA listed, complies with applicable building codes
- Operation:
  - ACS-2 — 48 VAC/VDC max, 5 amps max
  - ACS-3 — 125-250 VAC max, 11 amps max, up to 1/3 HP
- Lead wires:
  - ACS-2 — 18" and 72" leads
  - ACS-3 — 72" leads

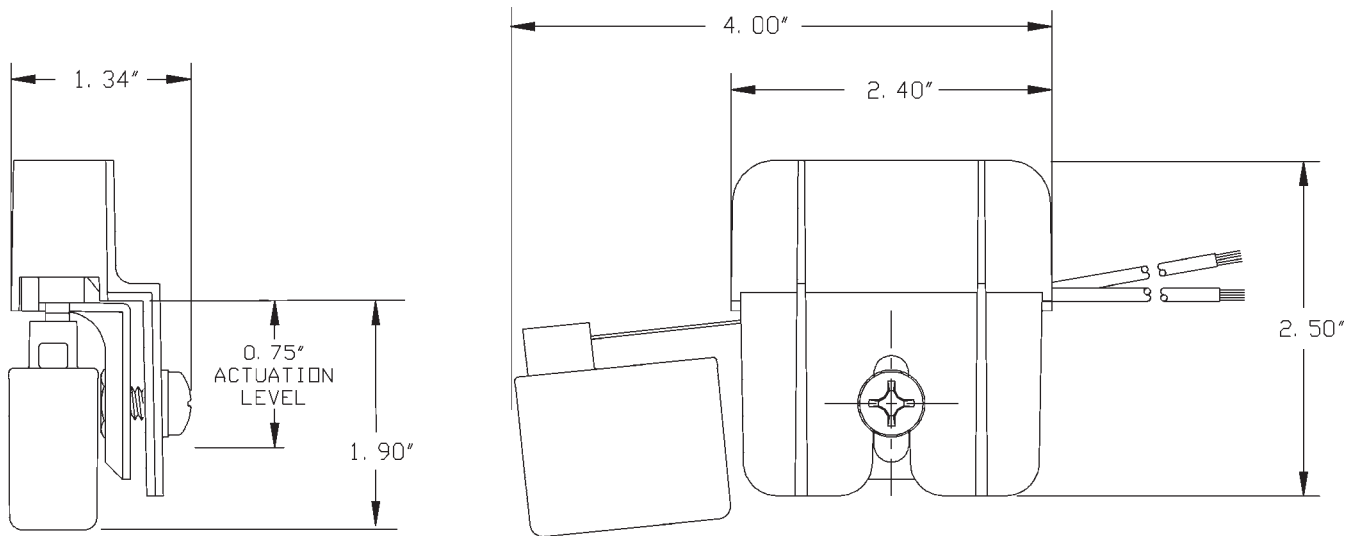


The ACS-2 & 3, Auxiliary Condensate Overflow Safety Switches, install in the condensate drain pan of an air conditioning or refrigeration unit, to shut off the unit if the condensate level in the drain pan approaches overflow.

# Little Giant Pump Co.

## ACS-2 & 3

### AUXILIARY CONDENSATE OVERFLOW SAFETY SWITCH



## Specifications

Item No.	Model No.	Cert.	Volts	Amps	HP	Lead Length	Master Qty.	Weight (lbs.)
599122	ACS-2	UR/cCSA	48V AC/DC	5 max.	—	18"	24	.21
599123	ACS-2	UR/cCSA	48V AC/DC	5 max.	—	72"	24	.29
599124	ACS-3	UR/cCSA	125-250VAC	11 max.	1/3 max.	72"	24	.29

## Little Giant Pump Co.

PO Box 12010 • Oklahoma City, OK 73157

Phone: 800.701.7894 • Fax: 800.701.8046

E-mail: [customerservice@littlegiant.com](mailto:customerservice@littlegiant.com)