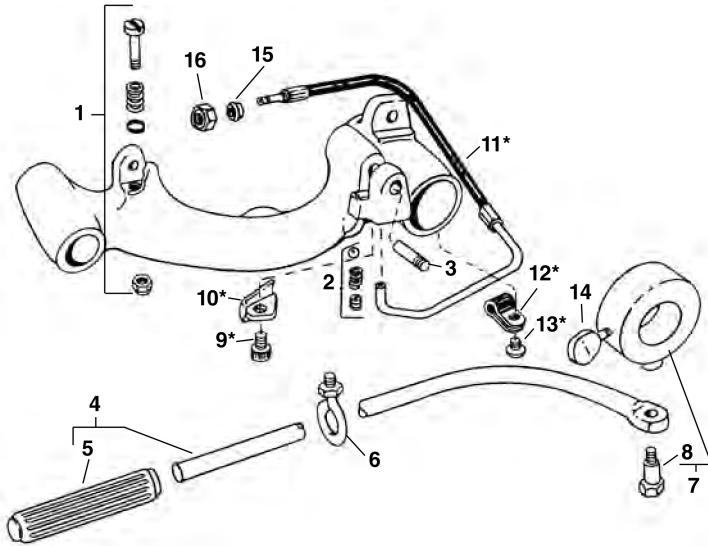


No. 311 Carriage w/Lever (200, 300 Power Drive)
No. 311A Carriage w/Lever (300A, 304 Retrofit)

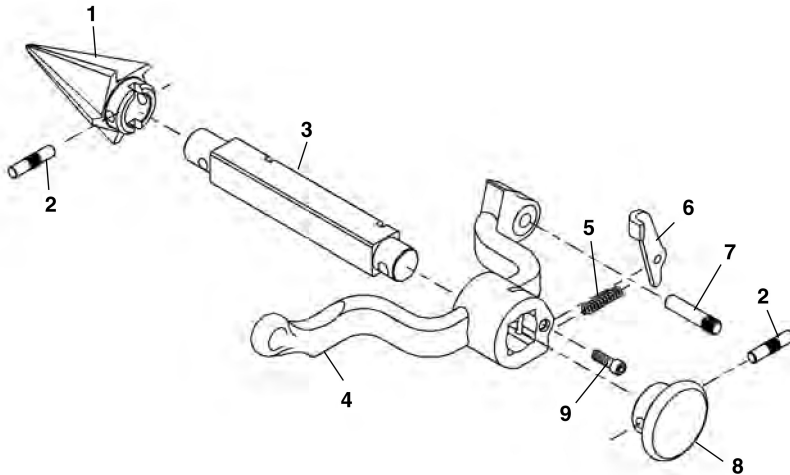
311
311A
341
360

**NOTE: Order parts by Catalog Number only.
 DO NOT order by Reference Number.**



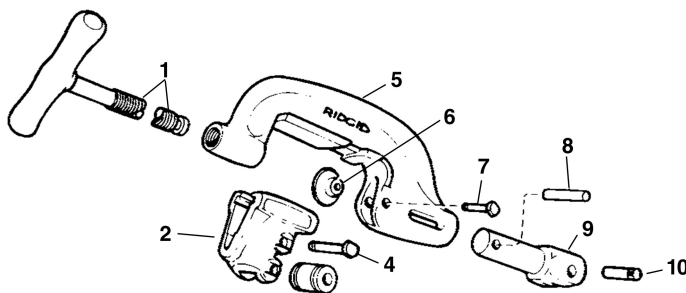
Ref. No.	Catalog No.	Description
—	68815	311 Carriage w/Lever
—	96945	311A Carriage w/Lever
—	42385	312 Lever Kit (incl. Ref. No. 4, 6, 7, 14)
1	45515	Stop Bolt Assembly
2	46810	Detente Assembly
3	47065	Reamer Hinge Pin
4	43400	Lever Arm Assembly
5	46235	Handgrip
6	46205	Eye Bolt Assembly
7	46215	Collar Assembly
8	46210	Shoulder Bolt
9	96900	Screw
10	96970	Oil Line Cover
11	96965	Hose Assembly
	19336	Hose Assembly (Europe)
12	96895	Clamp
13	96915	Screw
14	46220	Thumbscrew
15	19966	Ferrule
16	19956	Nut

No. 341 Reamer



Ref. No.	Catalog No.	Description
—	42365	341 Reamer Complete
1	36277	Cone (R.H.)
	46660	Cone (L.H. & R.H.)
2	47155	Pin
3	43790	Reamer Bar
4	43230	Reamer Arm
5	44700	Latch Spring
6	46665	Reamer Latch
7	47065	Hinge Pin
8	46585	Reamer Knob
9	46515	Screw 1/4" - 20 x 3/4"

No. 360 Cutter



Ref. No.	Catalog No.	Description
—	42370	360 Cutter Complete
1	43625	Screw Handle
2	33400	Roll Housing Assembly
3	34305	Roll (2)
4	34310	Roll Pin (2)
5	43595	Cutter Frame
6	33100	Cutter Wheel Thin
	33105	Cutter Wheel H.D.
	44185	Cutter Wheel Std.
7	34780	Wheel Pin
8	45435	Retaining Pin
9	45505	Support Arm
10	45520	Pin