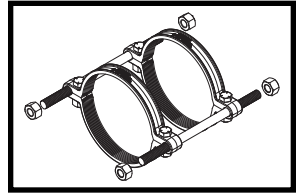
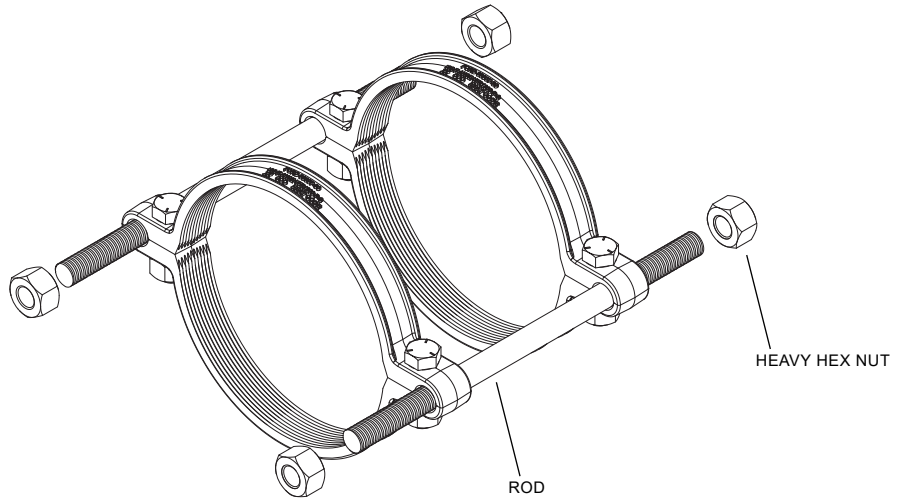
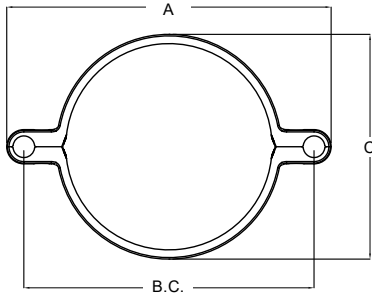


SUBMITTAL INFORMATION

Uni-Flange® Restraint (UFR1390-P-x-I style)



SERIES 1390-P 4" - 12" RESTRAINT DEVICE FOR SEWER PIPE BELL JOINTS



NOM PIPE SIZE	SEWER PIPE OD STYLE 1390-P		A	B.C.	C	RESTRAINTS BOLTS / RODS		CLAMPING BOLTS		APPROX. WT. LBS.	✓ SUBMITTED ITEMS
	OD	CATALOG No.				No. D	SIZE E	No. F	SIZE G		
4"	4.22	UFR1390-P-4-I	8-57/64"	7-1/2"	4-59/64"	2	3/4" x 17"	4	5/8" x 2-1/4"	9.4	
6"	6.28	UFR1390-P-6-I	10-57/64"	9-1/2"	6-63/64"	2	3/4" x 17"	4	5/8" x 2-1/4"	10.3	
8"	8.40	UFR1390-P-8-I	13-9/64"	11-3/4"	9-3/32"	2	3/4" x 17"	4	5/8" x 2-1/4"	11.3	
10"	10.50	UFR1390-P-10-I	15-23/64"	14"	11-29/64"	2	3/4" x 17"	4	5/8" x 2-1/4"	15.1	
12"	12.50	UFR1390-P-12-I	18"	16-1/4"	13-29/64"	2	3/4" x 17"	4	5/8" x 2-1/4"	17.5	

FEATURES

- 4" - 12" sizes: cast ductile iron per ASTM A536 grade 65-45-12, black e-coat
- Clamping bolts and nuts - Grade 5, zinc-plated
- 360° contact and support of the pipe wall
- T-bolts and nuts are high strength, low alloy steel per ASTM A242 and AWWA C111.
Optional: stainless steel
- Rated at 50 psi with a 2:1 safety factor

The Ford Meter Box Company considers the information in this submittal form to be correct at the time of publication. Item and option availability, including specifications, are subject to change without notice. Please verify that your product information is current.



The Ford Meter Box Company, Inc.

P.O. Box 443, Wabash, Indiana U.S.A. 46992-0443
 Phone: 260-563-3171 / Fax: 800-826-3487
 Overseas Fax: 260-563-0167
 www.fordmeterbox.com



02/27/18

Submitted By: