

KEENEY MANUFACTURING
NEWINGTON, CT.

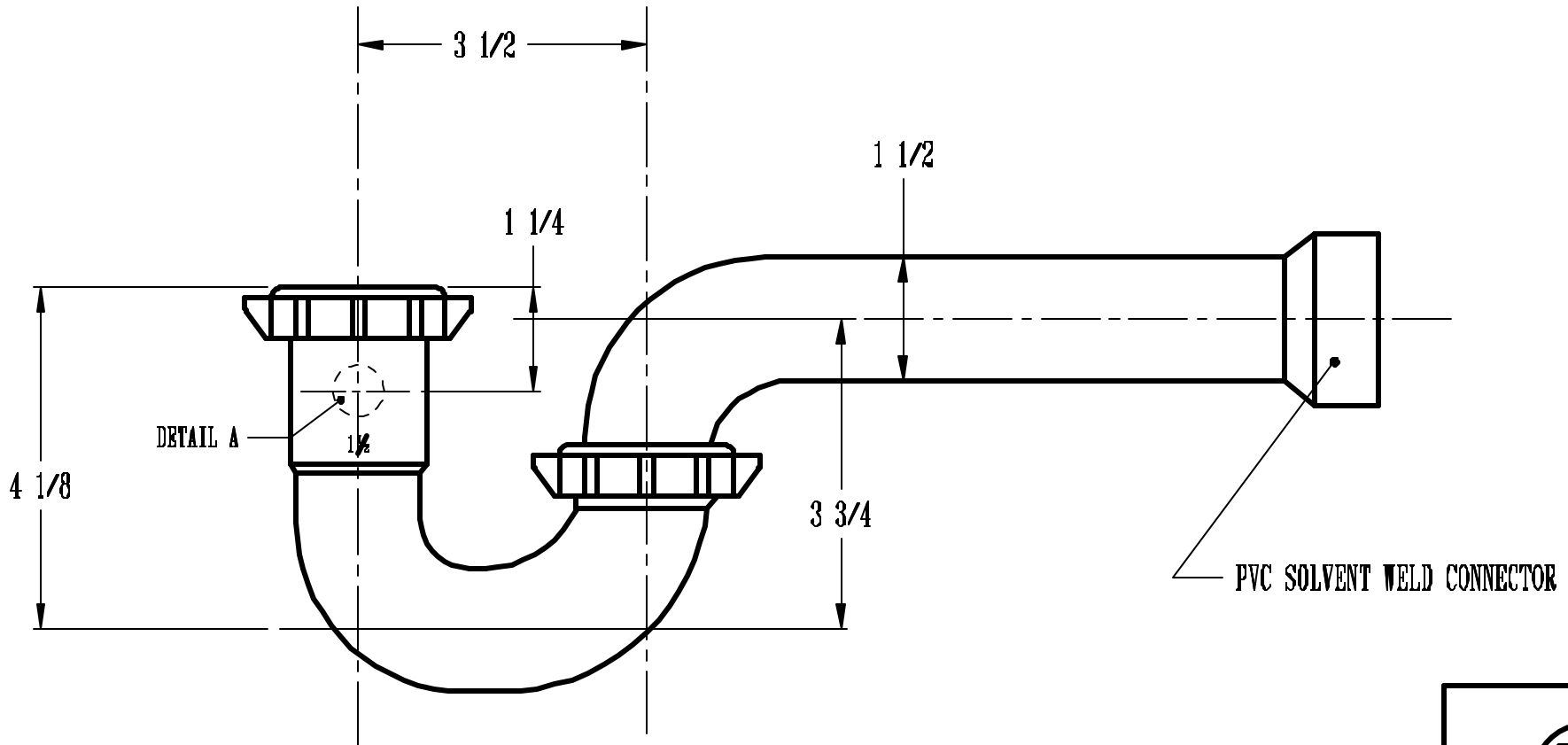
TITLE: P-TRAP W/ PVC WELD CONN. P/N 400STTW

DWG BY: C.GRAHAM

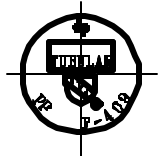
DATE: 5/30/97

SCALE: SHOWN

MATERIAL: POLYPRO



NOTE: ALL DIMENSIONS IN INCHES



DETAIL A