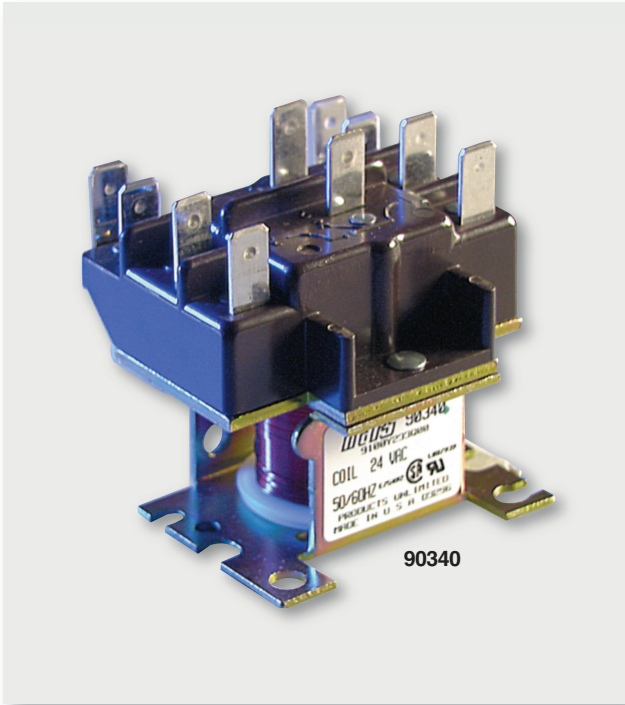


MARS General Purpose Switching Relays

MARS SERIES **903**

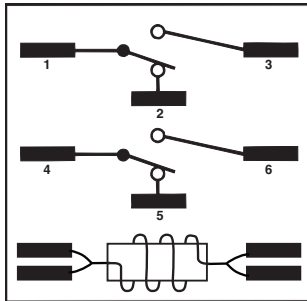


2-Pole Air Conditioning Relays

The MARS Series 903 switching relays are intended for many applications in air conditioning, refrigeration, and heating. Other uses include general purpose switching in appliances, fan controls, and vending machines. Our relays are available in 24, 110/120, and 208/240 coil voltages with various combinations of power and pilot duty contacts.

Features:

- Replaces Honeywell and White-Rodgers/RBM - cross reference on package
- Double quick-connect terminals on coil
- 2.13 x 1.88 x 2.25 in.
- Base is designed for easy replacement of competitive relays
- Molded terminal numbers and circuit diagram on top of relay
- UL and CSA listings available



	POWER		PILOT	
	120V	208/240V	120V	208/240V
Full Load Amps	12	6	—	—
Resistive Amps*	15	15	3	3
Locked Rotor Amps	60	35	—	—
Horsepower	3/4	3/4	1/10	1/10

*277 VAC

Cross Reference Information

WR/RBM No.	MARS Replacement	HONEYWELL No.	MARS Replacement
90-340	90340	R4222B1082	90344
90-341	90341	R4222B1090	90345
90-342	90342	R4222D1013	90341
90-343	90343	R4222D1021	90342
90-344	90344	R4222N1010	90348
90-345	90345	R4222V1002	90344
90-346	90346	R4222V1010	90345
90-348	90348	R8222B1067	90343
		R8222D1014	90340
		R8222N1011	90346
		R8222V1003	90343

MARS NO.	COIL VOLTAGE	TERMINALS 1-2-3	TERMINALS 4-5-6
90340	24	Power	Power
90341	110/120	Power	Power
90342	208/240	Power	Power
90343	24	Pilot	Pilot
90344	110/120	Pilot	Pilot
90345	208/240	Pilot	Pilot
90346	24	Pilot	Pilot
90348	208/240	Pilot	Pilot

Coil Data: 24-240 VAC @ 50/60 Hz; 21.5 VA Max.
Inrush; 9.5 VA Max. Sealed