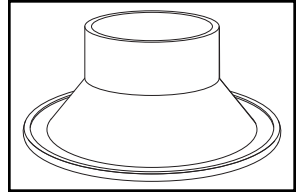
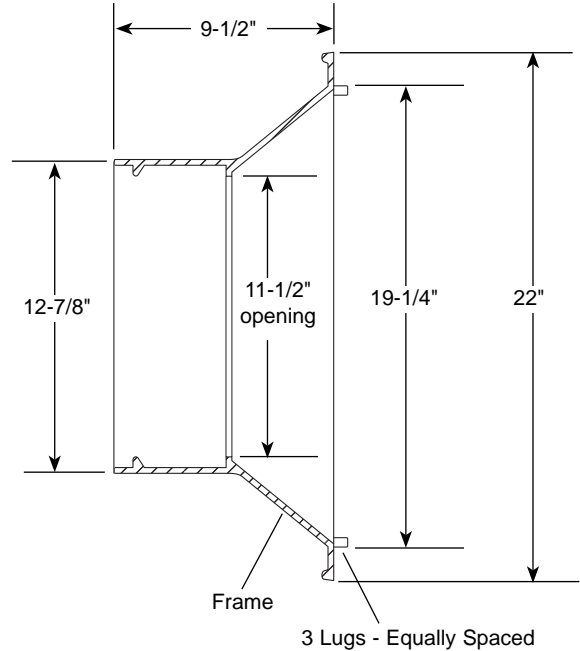
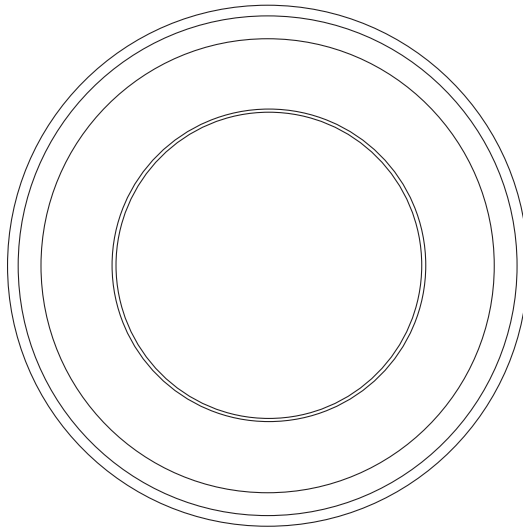


SUBMITTAL INFORMATION

Meter Box Frame - (FW3 style)



FRAME ONLY 11-1/2" WABASH DOUBLE INSET LID FOR 20" TILE



*LID SIZE	TILE I.D.	APPROX. WT. LBS.	DESCRIPTION	CATALOG NUMBER	✓ SUBMITTED ITEM(S)
11-1/2"	20"	43.9	Cast Iron Frame for W3 Cover	FW3	

*Lid size indicates approximate pit access opening; actual lid diameter is approximately 1" larger
Lid is not included in this product

FEATURES

- Frame is cast iron per ASTM A48, Class 25
- Finish is black e-coating

The Ford Meter Box Company considers the information in this submittal form to be correct at the time of publication. Item and option availability, including specifications, are subject to change without notice. Please verify that your product information is current.



The Ford Meter Box Company, Inc.

P.O. Box 443, Wabash, Indiana U.S.A. 46992-0443

Phone: 260-563-3171 / Fax: 800-826-3487

Overseas Fax: 260-563-0167

www.fordmeterbox.com

03/18/16

Submitted By: