

JET PUMPS

FW0180
0219
Supersedes
0119



1/3 - 1-1/2 HP

Whether operating as a shallow well or deep well pump, count on F & W's versatile, powerful jet pumps to deliver more water at full city pressures.

These pumps provide higher single stage capacities and pressures; depths to 150 feet, capacities to 1800 GPH and as much as 90 pound pressure.

EK
SHALLOW WELL

CPH CONVERTIBLE

CPJ
CONVERTIBLE

CPJS
SHALLOW WELL



Higher single-stage capacities and pressures

Depths to 150 ft.

Up to 1800 GPH with up to 90 PSI

*USING A MAJORITY OF U.S. COMPONENTS

F&W
FLINT & WALLING

Trust runs deep.

Service Plus F&W Motors

“Service Plus” means top reliability plus quick access to all electrical components.

Routine maintenance is simplified through the convenient mounting of electrical components. Removal of the rear access cover exposes components for fast replacement. Spade connectors enable quick hookup and voltage change.

Rear access cover

Directs ventilating air over the windings and bearings, and away from the switch mechanism. All electrical components are protected from dirt, dust and insects.

Quality-wound double insulated stator

Uses nylon over coated wire with an additional varnish dip to insure against moisture penetration. Class B wire insulation rated for 266°F.

Permanently lubricated ball bearings

Located on each end of the motor insuring alignment of the dynamically balanced rotor for smooth operation and extended motor life.

Fully enclosed transfer switch

Mounted on a UL recognized thermo-set plastic board utilizes spark quenching and extra large silver cadmium oxide contact points.

Patented governor

Features an advanced simplified design, using a stainless steel compression spring to insure proper motor RPM before switching from start to run windings.

Zinc clad steel shell and cooling fan

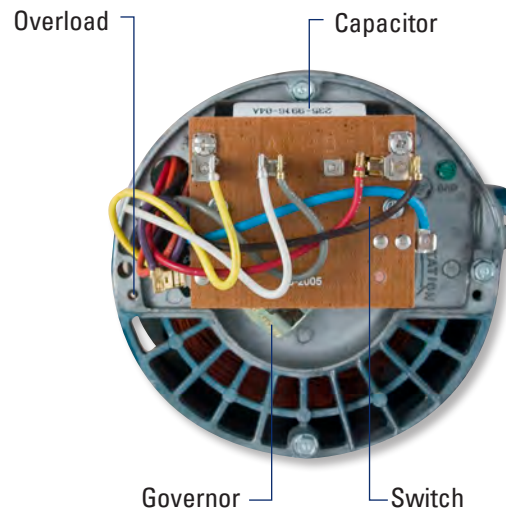
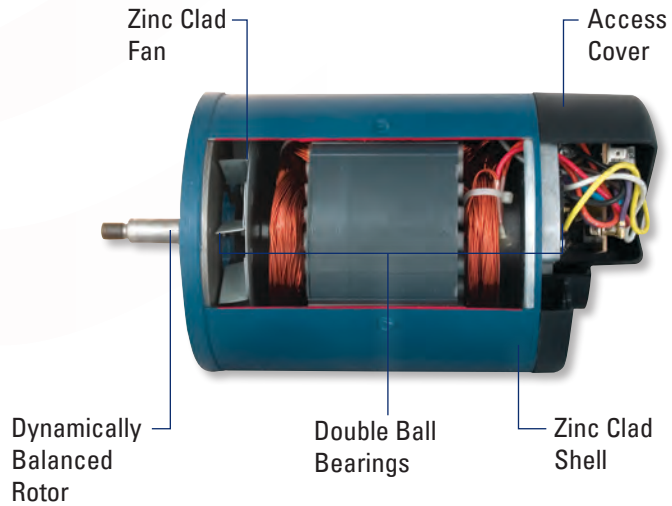
Resist corrosion and dissipate motor heat.

Automatic overload

Senses both start and run winding heat to ensure complete winding protection.

“Service Plus” motors

Manufactured by Flint & Walling, Inc. in Kendallville, IN, USA—An industry exclusive among jet pump manufacturers.



EK, CPJ, CPH Product Features

High tensile gray iron pump bodies

Large water cavities provide fast, easy priming. Separate priming ports enable quick water fill and the fast evacuation of air. Separate 1/4" tapings are provided for the convenient mounting of pressure/vacuum gauges and the pressure switch, and for pump draining.

Buna-n Quadraseal

Reusable — provides a positive seal between the pump case and motor bracket.

Molded diffusers

Corrosion and abrasion resistant, provide precision alignment with the impeller for maximum performance. The snap-in diffuser design uses no bolts and is held in place by compression.

Impellers —

Precision balanced, these impellers are ultra-smooth for high efficiency. 1/3 thru 1 HP CPJ, CPH, and EK models feature molded thermoplastic impellers. 1-1/2 HP CPJ models feature brass impellers.

Pipe plugs and priming plugs

Coated with a non-hardening, non-toxic, non-corrosive material which allows for easy removal even after the pump has been in service for years.

Standard shaft seal

Silicon carbide face is self-adjusting throughout the seal life. One size fits all models.

CPH and EK Patented uni-frame motor bracket

Unique to the water systems industry — designed to accept any NEMA J motor if motor replacement is ever necessary.

Automatic overload

Senses both start and run winding heat to ensure complete winding protection.

CPJ models

Feature NEMA J motors. All motors are dual voltage, capacitor start with automatic thermal overload protection.

1/3 and 1/2 HP CPJ SERIES



CPJS SHALLOW WELL

Includes: Pump, Motor, Pressure Switch and Shallow Well Ejector.

CPJ CONVERTIBLE

Includes: Pump, Motor, Pressure Switch and Flow Control Screw. Order Ejector and Pressure Gauge Separately.



Trust runs deep.

CPJ and CPH Series Jet Pumps

3/4, 1 and 1-1/2 HP CPJ SERIES



CPJS SHALLOW WELL

Includes: pump, motor, pressure switch and shallow well ejector.



CPJ CONVERTIBLE

Includes: pump, motor, pressure switch and pressure regulator. Order ejector and pressure gauge separately.

1/2, 3/4 and 1 HP CPH SERIES



CPHS SHALLOW WELL

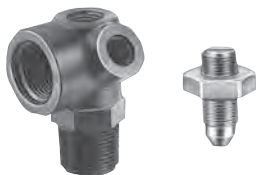
Available in 1/2, 3/4 and 1 HP. Includes: pump, motor, pressure switch and shallow well ejector.



CPH CONVERTIBLE

Available in 1/2, 3/4 and 1 HP. Includes: pump, motor and pressure switch. Order ejector, control package and pressure gauge separately.

*Add "R" to end of model number to include 134349 control package with pump.



134349 Control Package*

Order Separately for Deep Well Applications.



EK Series Jet Pumps

EK SHALLOW WELL JET PUMPS



Product may not be exactly as shown



EK SHALLOW WELL JET PUMP

Includes: Pump, Motor, Pressure Switch and Ejector.

NOTE: EK05S and EK07S feature built-in ejector - no assembly required. EK10S ejector requires assembly.

EK SHALLOW WELL CAPACITIES

| Model | HP | Suction Lift. Ft. | Discharge Pressures (PSI) | | | | Shut Off Pressure @ 0 Lift (PSI) | Suction & Discharge | Pressure Switch Setting - PSI | Pump Shipping Weight |
|-------|-----|-------------------|------------------------------------|------|------|------|----------------------------------|---------------------|-------------------------------|----------------------|
| | | | 20 | 30 | 40 | 50 | | | | |
| | | | CAPACITY - U.S. GALLONS PER MINUTE | | | | | | | |
| EK05S | 1/2 | 5 | 10.5 | 9.5 | 5.8 | 4.0 | 60 | 1-1/4" x 3/4" | 20-40 | 40 |
| | | 15 | 7.6 | 7.3 | 4.5 | 2.5 | | | | |
| | | 25 | 4.5 | 4.2 | 3.5 | 2.0 | | | | |
| EK07S | 3/4 | 5 | 15.5 | 15.0 | 10.0 | 5.8 | 65 | 1-1/4" x 3/4" | 30-50 | 41 |
| | | 15 | 11.9 | 11.7 | 9.1 | 3.8 | | | | |
| | | 25 | 6.0 | 5.8 | 5.2 | 2.0 | | | | |
| EK10S | 1 | 5 | 20.0 | 20.0 | 19.5 | 18.3 | 65 | 1-1/4" x 1" | 30-50 | 51 |
| | | 15 | 15.8 | 15.5 | 15.0 | 14.5 | 60 | | | |
| | | 25 | 10.0 | 9.7 | 9.5 | 9.0 | 55 | | | |

Maximum Pump Case Pressure = 150 PSI



CPJS, CPHS, CPJ and CPH Shallow Well Capacities

CPJS AND CPHS SHALLOW WELL PERFORMANCE WITH SHALLOW WELL EJECTORS



SW Single Pipe Shallow Well Ejector

| Model No. | HP | Ejector* Assembly | Suction Lift Ft. | Discharge Pressures (PSI) | | | | | Suction & Discharge | Pressure Switch Setting | Shut Off Pressure PSI | Pump Shipping Weight |
|------------------------------------|-------|-------------------|------------------|---------------------------|------|------|------|------|---------------------|-------------------------|-----------------------|----------------------|
| | | | | 20 | 30 | 40 | 50 | 60 | | | | |
| CAPACITY - U.S. GALLONS PER MINUTE | | | | | | | | | | | | |
| CPJ03SB | 1/3 | SW03E-1626 | 5 | 11.3 | 10.7 | 9.5 | 6.7 | | 1-1/4" X 3/4" | 30-50 | 74 | 49 |
| | | | 15 | 8.7 | 8.5 | 7.8 | 5.3 | | | | | |
| | | | 25 | 5.3 | 5.3 | 5.2 | 4.2 | | | | | |
| CPJ05SB CPH05S | 1/2 | SW05E-1630 | 5 | 17.2 | 16.8 | 14.8 | 10.0 | | 1-1/4" X 3/4" | 30-50 | 69 | 50 |
| | | | 15 | 12.8 | 12.7 | 12.2 | 7.7 | | | | | |
| | | | 25 | 7.7 | 7.5 | 7.2 | 5.3 | | | | | |
| CPJ07SB CPH07S | 3/4 | SW07E-1432 | 5 | 19.8 | 19.5 | 19.2 | 18.0 | | 1-1/4" X 1" | 30-50 | 65 | 58 |
| | | | 15 | 15.5 | 15.2 | 14.8 | 14.2 | | | | | |
| | | | 25 | 9.8 | 9.5 | 9.3 | 8.8 | | | | | |
| CPJ10SB CPH10S | 1 | SW10E-1334 | 5 | 23.7 | 23.5 | 23.3 | 23.0 | | 1-1/4" X 1" | 30-50 | 70 | 62 |
| | | | 15 | 18.3 | 18.3 | 18.2 | 18.0 | | | | | |
| | | | 25 | 11.7 | 11.7 | 11.5 | 11.3 | | | | | |
| CPJ15S | 1-1/2 | SW15E-1238 | 5 | 30.0 | 29.8 | 29.8 | 29.8 | 23.3 | 1-1/4" X 1" | 30-50 | 77 | 72 |
| | | | 15 | 24.0 | 23.8 | 23.7 | 23.5 | | | | | |
| | | | 25 | 15.0 | 15.0 | 15.0 | 14.8 | | | | | |

* Ejector assembly included
Maximum Pump Case Pressure = 150 PSI

CPJ AND CPH SHALLOW WELL CAPACITIES WITH CONVERTIBLE EJECTOR



DW40E Convertible Ejector

| Model No. | HP | Ejector Assembly | Suct. Lift Ft. | Discharge Pressures (PSI) | | | | | | | Suction & Discharge | Pressure Switch Setting | Shut Off Pressure PSI | Pump Ship Weight | |
|------------------------------------|-------|------------------|----------------|---------------------------|------|------|------|------|------|------|---------------------|-------------------------|-----------------------|------------------|-----|
| | | | | 20 | 30 | 40 | 50 | 60 | 70 | 80 | | | | | 90 |
| CAPACITY - U.S. GALLONS PER MINUTE | | | | | | | | | | | | | | | |
| CPJ05B CPH05 CPH05R† | 1/2 | DW40E-1730 | 5 | 14.8 | 14.5 | 13.2 | 10.0 | 6.7 | | | 1-1/4" X 3/4" | 30-50 | 76 | 46 38 | |
| | | | 15 | 11.8 | 11.3 | 11.2 | 8.3 | 5.0 | | | | | | | |
| | | | 25 | 7.3 | 7.2 | 7.0 | 6.5 | 3.3 | | | | | | | |
| | | DW40E-1828 | 5 | 12.0 | 11.5 | 11.3 | 10.2 | 7.8 | 5.0 | | | 1-1/4" X 3/4" | 30-50 | | 90 |
| | | | 15 | 9.0 | 8.8 | 8.7 | 8.5 | 6.7 | 4.2 | | | | | | |
| | | | 25 | 5.3 | 5.3 | 5.2 | 5.0 | 5.0 | 3.3 | | | | | | |
| CPJ07B CPH07 CPH07R† | 3/4 | DW40E-1630 | 5 | 16.0 | 15.7 | 15.5 | 15.0 | 10.3 | | | 1-1/4" X 1" | 30-50 | 75 | 56 | |
| | | | 15 | 12.5 | 12.3 | 12.3 | 12.2 | 7.0 | | | | | | | |
| | | | 25 | 8.3 | 8.3 | 8.2 | 8.0 | 4.2 | | | | | | | |
| | | DW40E-1726 | 5 | 10.2 | 10.0 | 9.7 | 9.5 | 9.3 | 9.2 | 7.5 | 5.7 | 1-1/4" X 1" | 30-50 | | 120 |
| | | | 15 | 8.0 | 7.5 | 7.3 | 7.3 | 7.2 | 7.2 | 6.7 | 5.0 | | | | |
| | | | 25 | 4.8 | 4.7 | 4.5 | 4.3 | 4.2 | 4.2 | 4.2 | 3.3 | | | | |
| CPJ10B CPH10 CPH10R† | 1 | DW40E-1634 | 5 | 20.8 | 20.8 | 20.5 | 20.3 | 15.8 | | | 1-1/4" X 1" | 30-50 | 80 | 58 49 | |
| | | | 15 | 16.7 | 16.7 | 16.3 | 16.2 | 13.0 | | | | | | | |
| | | | 25 | 11.7 | 11.5 | 11.3 | 11.2 | 9.3 | | | | | | | |
| | | DW40E-1828 | 5 | 12.2 | 11.7 | 11.7 | 11.3 | 11.2 | 11.2 | 10.8 | 8.0 | 1-1/4" x 1" | 30-50 | | 125 |
| | | | 15 | 9.5 | 9.2 | 9.0 | 8.8 | 8.8 | 8.8 | 8.7 | 6.7 | | | | |
| | | | 25 | 5.7 | 5.5 | 5.3 | 5.2 | 5.0 | 5.0 | 5.0 | 5.0 | | | | |
| CPJ15 | 1-1/2 | DW40E-1736 | 5 | 23.8 | 23.3 | 23.3 | 23.0 | 18.7 | 13.8 | 8.3 | 1-1/4" x 1" | 30-50 | 93 | 66 | |
| | | | 15 | 18.0 | 17.8 | 17.5 | 17.3 | 16.3 | 11.7 | 6.0 | | | | | |
| | | | 25 | 11.0 | 10.7 | 10.7 | 10.5 | 10.3 | 8.3 | 2.0 | | | | | |

† "R" models include pressure switch and 134349 control package. Order ejector separately.
Maximum Pump Case Pressure = 150 PSI

NOTE: The DW40E ejector can be bolted to the pump as a shallow well ejector or submerged in casing as a convertible "deep well" ejector.



CPJ and CPH Deep Well Capacities

CPJ AND CPH DEEP WELL CAPACITIES WITH TWO-PIPE CONVERTIBLE EJECTOR



DW40E* Cast Iron Two Pipe Convertible Ejector

| Model No. | HP | Ejector Assembly | Min. Oper. Press. | Disch. Press. PSI | Vertical Distance to Water in Feet | | | | | | | | | | | | | | Press. Switch Setting | Pump Ship Wt. | |
|-----------------|-------|------------------|-------------------|----------------------|------------------------------------|---------------------|---------------------|--------------------|-------------------|------------------|-------------------|-------------------|-------------------|-------------------|-------------------|-------------------|-------------------|--|-----------------------|---------------|-------|
| | | | | | 20 | 30 | 40 | 50 | 60 | 70 | 80 | 90 | 100 | 110 | 120 | 130 | 140 | | | | |
| | | | | | CAPACITY - U.S. GALLONS PER MINUTE | | | | | | | | | | | | | | | | |
| CPJ05B CPH05 | 1/2 | DW40E-1730 | 25 | 30 50 Shut Off | 12.5 5.5 67 | 10.8 3.7 63 | 8.7 2.0 57 | | | | | | | | | | | | 30-50 | 46 38 | |
| | | DW40E-1828 | 25-28 | 30 50 Shut Off | 11.2 6.7 75 | 10.8 5.5 69 | 8.8 3.8 64 | 7.2 2.3 59 | 5.0 0.8 54 | | | | | | | | | | 30-50 | | |
| | | DW40E-1622 | 30 | 30 50 Shut Off | | | 6.7 4.3 91 | 6.0 3.8 86 | 5.3 3.3 80 | 4.3 2.5 74 | 3.3 1.7 68 | 2.5 0.8 60 | | | | | | | 30-50 | | |
| CPJ07B CPH07 | 3/4 | DW40E-1630 | 35-37 | 30 50 Shut Off | 16.7 12.5 75 | 14.2 8.3 70 | 12.2 5.0 65 | 8.3 2.5 59 | | | | | | | | | | | 30-50 | 56 | |
| | | DW40E-1726 | 37-39 | 30 50 Shut Off | 11.7 9.2 98 | 11.7 9.2 91 | 11.5 8.21 86 | 10.3 7.0 80 | 9.0 5.7 74 | 7.7 4.3 69 | 6.2 3.2 65 | 4.8 1.7 58 | | | | | | | 30-50 | | |
| | | DW40E-1520 | 39 | 30 50 Shut Off | | | | | | | 5.0 3.7 105 | 4.8 2.7 95 | 4.3 3.0 90 | 3.7 2.7 85 | 3.2 2.0 80 | 2.7 1.8 75 | | | 30-50 | | |
| CPJ10B CPH10 | 1 | DW40E-1634 | 46 | 30 50 Shut Off | 19.2 10.0 71 | 15.0 7.5 66 | 11.7 5.0 62 | 8.3 2.5 57 | | | | | | | | | | | 30-50 | 58 49 | |
| | | DW40E-1828 | 46-47 | 30 50 Shut Off | 13.0 12.0 110 | 13.0 12.0 105 | 12.8 10.8 99 | 12.5 9.5 93 | 10.5 7.8 87 | 9.0 6.2 81 | 7.5 5.0 76 | 5.8 3.5 70 | 4.0 2.0 64 | | | | | | 30-50 | | |
| | | DW40E-1520 | 46-47 | 30 50 Shut Off | | | | | | | 5.5 5.2 130 | 5.5 4.7 123 | 5.0 4.7 117 | 4.5 3.7 110 | 3.8 3.2 104 | 3.5 2.7 98 | 2.7 2.2 92 | | | | 30-50 |
| CPJ15 | 1-1/2 | DW40E-1736 | 46-52 | 30 50 Shut Off | 21.7 15.0 80 | 17.5 11.7 76 | 13.3 8.3 71 | 10.0 5.0 65 | 6.7 2.7 60 | | | | | | | | | | 30-50 | 66 | |
| | | DW40E-1728 | 50-53 | 30 50 Shut Off | | | 12.8 11.7 105 | 12.5 11.3 98 | 10.7 9.7 92 | 9.0 7.8 87 | 7.7 6.7 82 | 6.2 5.0 77 | 5.0 3.3 72 | 3.5 2.5 65 | | | | | | | 30-50 |
| | | DW40E-1520 | 52-54 | 30 50 Shut Off | | | | | | | 5.3 5.2 135 | 5.3 5.0 128 | 5.2 4.5 123 | 5.0 4.2 118 | 4.3 3.8 112 | 3.8 3.3 105 | 3.3 2.8 100 | | | | 30-50 |

Maximum Pump Case Pressure = 150 PSI, * Suction & pressure pipe tapping 1-1/4" x 1"

CPJ AND CPH DEEP WELL CAPACITIES WITH 2" SINGLE PIPE EJECTOR



Two Inch Single Pipe Ejector

| Model No. | HP | Ejector Assembly | Min. Oper. Press. | Disch. Press. PSI | Vertical Distance to Water in Feet | | | | | | | | | | | | | | | Press. Switch Setting | Pump Ship Wt. |
|-----------------|-------|------------------|-------------------|----------------------|------------------------------------|--------------------|---------------------|-------------------|-------------------|------------------|-------------------|-------------------|-------------------|-------------------|-------------------|-------------------|------------------|------------------|-------|-----------------------|---------------|
| | | | | | 20 | 30 | 40 | 50 | 60 | 70 | 80 | 90 | 100 | 110 | 120 | 130 | 140 | 150 | | | |
| | | | | | CAPACITY - U.S. GALLONS PER MINUTE | | | | | | | | | | | | | | | | |
| CPJ05B CPH05 | 1/2 | SP20BL-1730† | 27 | 30 50 Shut Off | 10.8 5.0 65 | 9.2 3.3 60 | 7.5 1.7 55 | | | | | | | | | | | | 30-50 | 46 38 | |
| | | SP20BL-1828† | 27-30 | 30 50 Shut Off | 11.7 6.7 76 | 9.7 4.7 68 | 7.5 2.8 60 | 5.8 1.2 55 | 3.8 | | | | | | | | | | 30-50 | | |
| | | SP20BL-1622† | 31 | 30 50 Shut Off | | | 6.2 4.2 90 | 5.8 3.7 83 | 5.0 2.8 76 | 4.0 2.2 70 | 3.3 1.3 61 | 2.3 0.3 55 | | | | | | | 30-50 | | |
| CPJ07B CPH07 | 3/4 | SP20BL-1630† | 39 | 30 50 Shut Off | 16.2 11.7 75 | 13.7 7.5 70 | 10.8 5.0 65 | 7.5 1.7 55 | | | | | | | | | | | 30-50 | 56 | |
| | | SP20BL-1726† | 39 | 30 50 Shut Off | 11.0 8.3 91 | 11.0 7.5 87 | 9.7 6.7 82 | 7.2 5.3 78 | 5.8 4.2 72 | 3.3 1.8 66 | | | | | | | | 30-50 | | | |
| | | SP20BL-1520† | 40 | 30 50 Shut Off | | | | | | | 5.3 4.2 108 | 5.0 3.8 100 | 4.5 3.3 92 | 3.8 2.7 84 | 3.3 2.2 77 | 2.8 1.7 70 | | | 30-50 | | |
| CPJ10B CPH10 | 1 | SP20BL-1634† | 44-47 | 30 50 Shut Off | 16.7 10.0 71 | 15.0 7.5 66 | 11.7 4.7 61 | 8.3 2.0 55 | | | | | | | | | | | 30-50 | 49 | |
| | | SP20BL-1828† | 44-47 | 30 50 Shut Off | 11.7 11.0 104 | 11.7 9.8 98 | 11.2 8.8 92 | 10.0 7.3 86 | 8.3 6.0 80 | 7.0 4.5 72 | 5.5 3.3 67 | 3.8 1.8 61 | 2.2 0.5 55 | | | | | | 30-50 | | |
| | | SP20BL-1520† | 45-47 | 30 50 Shut Off | | | | | | | 5.3 5.0 119 | 5.3 4.5 113 | 5.0 4.0 106 | 4.3 3.5 100 | 3.7 2.8 94 | 3.2 2.5 89 | 2.5 2.0 83 | 2.0 1.3 78 | | | |
| CPJ15 | 1-1/2 | SP20BL-1736† | 46-52 | 30 50 Shut Off | 20.0 13.3 80 | 15.8 10.0 75 | 12.5 7.5 70 | 9.7 5.0 65 | 6.7 2.7 60 | | | | | | | | | | 30-50 | 66 | |
| | | SP20BL-1728† | 51-53 | 30 50 Shut Off | | | 11.7 10.0 102 | 11.7 9.0 96 | 10.0 7.5 90 | 8.0 5.8 84 | 6.3 4.3 78 | 4.8 3.0 71 | 3.5 1.8 65 | | | | | | 30-50 | | |
| | | SP20BL-1520† | 52-55 | 30 50 Shut Off | | | | | | | 5.3 5.3 130 | 5.0 4.5 125 | 5.3 4.5 120 | 4.8 4.2 115 | 4.2 3.7 110 | 3.7 3.2 103 | 3.2 2.7 95 | 2.7 2.2 88 | | | |

Maximum Pump Case Pressure = 150 PSI †Not for sale in states following Proposition 65 or AB 1953

Jet Pump Accessories, Service Kits

"EK" SHALLOW WELL TANK MOUNTED SYSTEMS

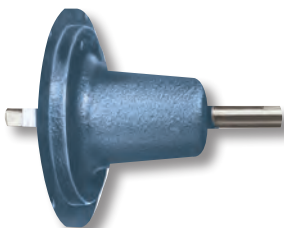


| Model | HP | Tank Type | Approximate Dimensions - Inches | | | Ship Wt. |
|------------|-----|------------|---------------------------------|-------|------|----------|
| | | | L | W | H | |
| EK05SAT25H | 1/2 | Horizontal | 24.5 | 17.25 | 33.5 | 76 lbs. |
| EK07SAT44H | 3/4 | Horizontal | 24.5 | 17.25 | 33.5 | 76 lbs. |

For performance specifications, see EK pump page.

Includes: Pump, motor, pressure switch, ejector, pressure tank and connection fittings from pump to tank.

POWER CONVERSION UNIT FOR JET AND CENTRIFUGAL PUMPS



| Order No. | Application |
|------------------|--|
| 122649 NEMA C | Can be used with any jet or centrifugal pump equipped with NEMA C or NEMA J standard electric motors. Gasoline engine or electric motor can be directly coupled with shaft or can be used with belt and pulley. For electric motor used with belt drive, the motor HP should be doubled. The gasoline engine HP should be doubled that of standard motor in either case above. |
| 135458 NEMA J | 5/8" diameter steel shaft, mounted in two heavy duty ball bearings, carry all radial and thrust loads. |

CONVERTIBLE JET PUMPS WITH POWER CONVERSION UNIT



| Model No. | Description | Pressure Control Valve Required† |
|-----------|----------------|----------------------------------|
| CPJ05 222 | Threaded Shaft | 124330 |
| CPJ07 222 | Threaded Shaft | 132446 |
| CPJ10 222 | Threaded Shaft | 132446 |
| CPJ15 222 | Threaded Shaft | 133383 |

†Pressure control valve required for deep well applications - order separately. Order ejector separately. CPJ Convertible Jet Pumps fitted with a power conversion unit offer the flexibility of electric motor or gasoline engine drive. Can be belt or direct driven. Power conversion unit features cast iron body and double, heavy duty ball bearings.

SERVICE KITS FOR JET PUMPS



| Model No. | Service Kit For: | Kit Contents | Card Size Inches |
|-----------|---------------------------------|--|------------------|
| KF01 | 1/3 HP CPJ Jet Pumps | Impeller, Diffuser, Rotary Seal, Quadraseal, Diffuser Rubber | 8 x 11 |
| KF02 | 1/2 HP CPJ & CPH Jet Pumps | | |
| KF03 | 3/4 HP CPJ & CPH Jet Pumps | | |
| KF16 | 1 HP CPJ, CPH & VPH10 Jet Pumps | Rotary Seal, Quadraseal (2), Diffuser Rubber | 8 x 11 |
| KF04 | All CPJ, CPH & EK Jet Pumps | | |
| KF05 | 1/2 HP EK Jet Pump | Impeller, Rotary Seal, Quadraseal, Diffuser Rubber (Order Diffuser Separately) | 8 x 11 |
| KF07 | 3/4 HP EK Jet Pump | | |
| KF10 | 1 HP EK Jet Pump | | |