

PFETC

Economy Test Cap



Product Features

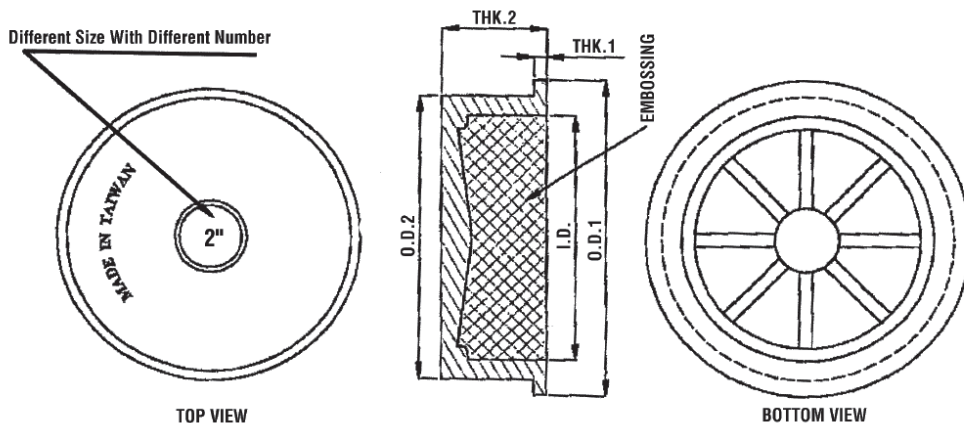
- Heavy duty rubber cap with stainless steel clamp
- Must install with torque wrench not exceeding 60 in-lbs
- Designed for testing up to 13PSI
- Feet of Head P.S.I. 30 FT



PFETCJ

Model Numbers

	ID	OD 1	OD 2	THK 1	THK 2
PFETCJ	1.84"	2.39"	2.27"	0.07"	1.00"
PFETCK	2.32"	2.85"	2.74"	0.07"	1.00"
PFETCM	3.45"	3.98"	3.86"	0.09"	1.27"
PFETCP	4.46"	5.04"	4.92"	0.10"	1.27"
PFETCS	5.23"	5.86"	5.74"	0.10"	1.41"
PFETCX	8.58"	9.17"	8.50"	0.16"	1.39"
PFETCU	6.45"	6.93"	6.69"	0.10"	1.39"



Warranty and Codes

This PROFLO product carries a 1-year limited warranty.