

# MODEL 475

## Reduced Pressure Principle – Backflow Preventers 4" to 10"



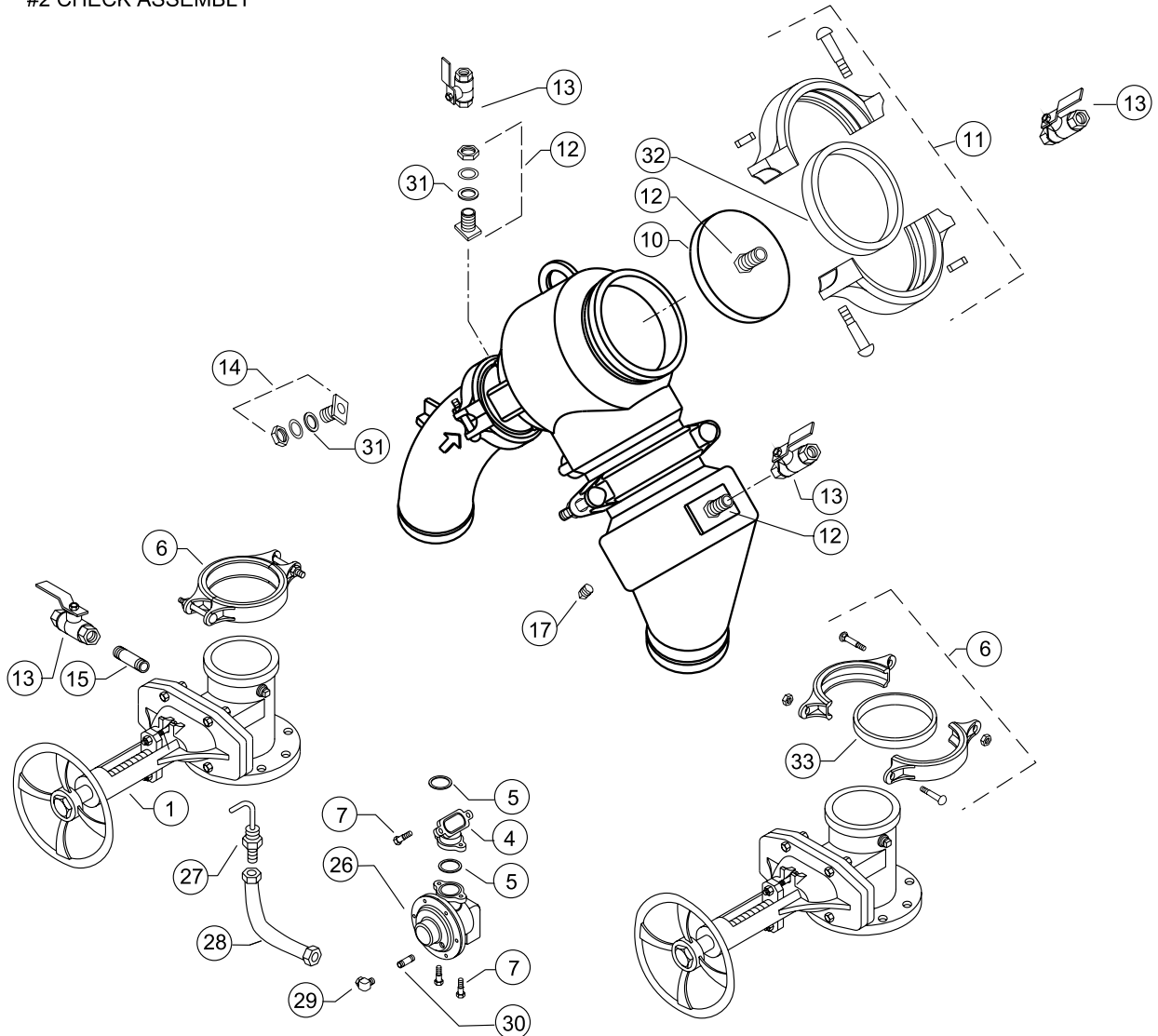
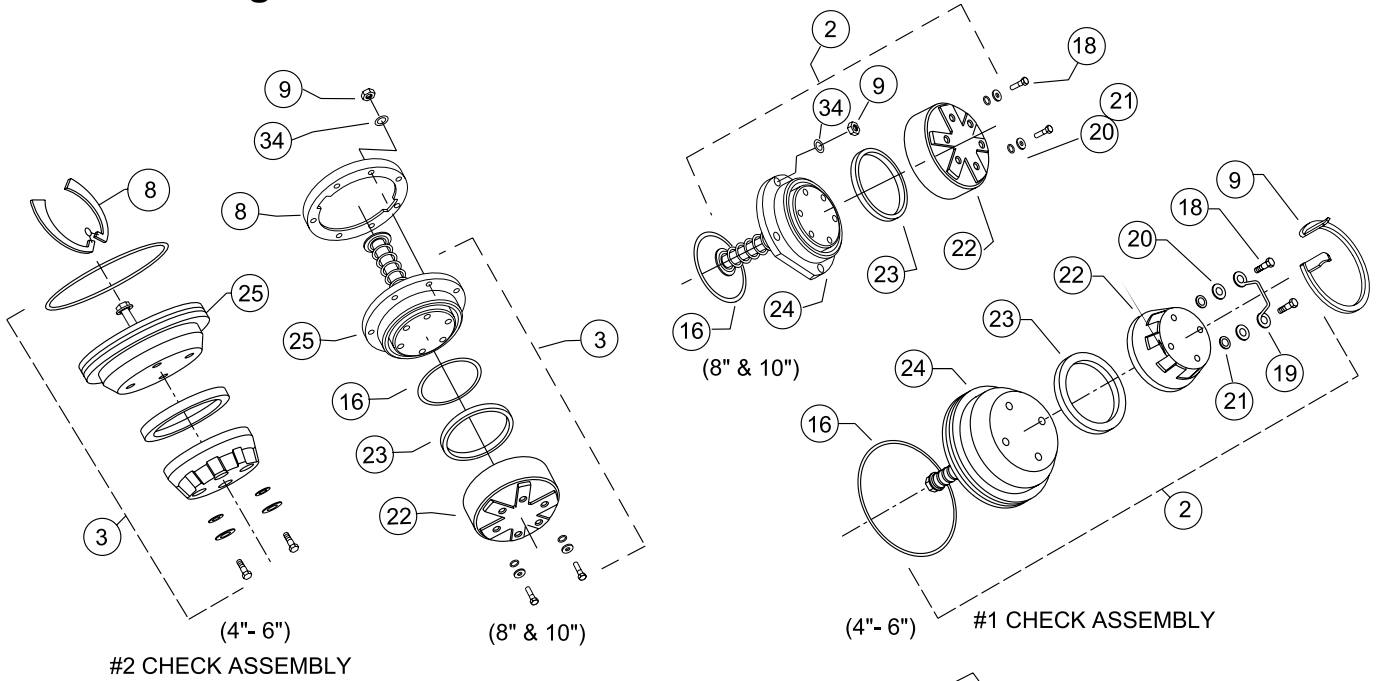
Item Number	Description	4"	6"	8"	10"
1	GATE VALVE, NRS (GXF)	4-48GXF	6-48GXF	8-48GXF	10-48GXF
	GATE VALVE, OS&Y (GXF)	4-48OSYGXF	6-48OSYGXF	8-48OSYGXF	10-48OSYGXF
	GATE VALVE, OS&Y (G&G)	4-48OSYG	6-48OSYG	8-48OSYG	10-48OSYG
	GATE VALVE, NRS (GXG)	4-48G	6-48G	8-48G	10-48G
	BUTTERFLY VALVE	4-49GVIC	6-49GVIC	8-49GVIC	10-49GVIC
2	#1 CHECK ASSEMBLY	3709-300	3710-300	3712-300	3712-300
3	#2 CHECK ASSEMBLY	3509-300B	3510-300B	3512-300B	3512-300B
4	RV ELBOW	4707-52XL-010F	4707-52XL-010F	4711-52XL-010F	4711-52XL-010F
5	O-RING, ELBOW	032N	032N	142N	142N
6	GROOVED COUPLING	4-23	6-23	8-23	10-23
7	BOLT	554-11A	554-11A	957-11	957-11
8	SEAT RETAINER ASSEMBLY #2	3509-140	3510-140	3511-14DSS	3511-14DSS
9	SEAT RETAINER #1	3509-14B	3510-14B	3511-9 (NUT)	3511-9 (NUT)
10	COVER	3509-3C	3510-3C	3511-3C	3511-3C
11	COVER RETAINER ASSEMBLY	6-23	8-23	12-23	12-23
12	BULKHEAD FITTING ASSEMBLY	BHF1CXL-100	BHF2BXL-100	BHF2BXL-100	BHF2BXL-100
13	BALL VALVE	12-850XL	34-850XL	34-850XL	34-850XL
14	BULKHEAD FITTING ASSEMBLY	BHF1BXL-100	BHF1BXL-100	BHF2CXL-100	BHF2CXL-100
15	NIPPLE, LONG	12X2-21B	34X3-21B	34X3-21B	34X3-21B
16	O-RING, SEAT ASSEMBLY	353N	364N	273N	273N
17	PLUG/CAP	558-7	34-3B	558-7	558-7
18	BOLT, POPPET RETAINER	558-11E	5510-11A	3511-11	3511-11
19	HANDLE, #1 POPPET ASSY	3509-6	3510-6	N/A	N/A
20	WASHER	3509-14C	3510-14C	3510-14C	3510-14C
21	O-RING	WK-109N	204N	204N	204N
22	POPPET RETAINER	3509-14	3510-14	3511-14	3511-14
23	SEAL RING	3509-12	3510-12	3511-12	3511-12
24	SEAT ASSEMBLY, #1 POPPET	3709-180	3710-180	3712-180	3712-180
25	SEAT ASSEMBLY, #2 POPPET	3509-180	3510-180	3512-180B	3512-180B
26	RELIEF VALVE ASSEMBLY	3707-CU-XL	3707-CU-XL	3711-CU-XL	3711-CU-XL
27	PITOT TUBE ASSEMBLY	57510-360	57510-360	57510-360	57510-360
28	SENSING TUBE	3710-36	3710-36	4710-36	4710-36
29	ELBOW	3707-38B	3707-38B	3707-38B	3707-38B
30	NIPPLE	14X1.5-21B	14X1.5-21B	14X1.5-21B	14X1.5-21B
31	BULKHEAD FITTING, GASKET	BHF1-13	BHF1-13	BHF1-13	BHF1-13
32	GASKET, COVER RETAINER	6-23-13	8-23-13	12-23-13	12-23-13
33	GASKET, GROOVED COUPLING	4-23-13	6-23-13	8-23-13	10-23-13
34	WASHER	N/A	N/A	3511-14E	3511-14E

### Repair Kit

RK4-350			RK6-350			RK8-350		
Size 4"			Size 6"			Size 8", 10"		
Part Number	Qty.	Description	Part Number	Qty.	Description	Part Number	Qty.	Description
3509-12	2	SEAL RING	3510-12	2	SEAL RING	3511-12	2	SEAL RING
353N	2	O-RING	364N	2	O-RING	273N	2	O-RING
WK-109N	8	O-RING	204N	8	O-RING	204N	12	O-RING
351N	2	Not used in 475						

# MODEL 475 – 4" to 10"

## Parts Drawing



# MODEL 375, 375A, 375AST, 475 and 475V

## Relief Valve – 2-1/2" to 10"



RELIEF VALVE COMPLETE      3707-CU-XL      3711-CU-XL

Item Number	Description	Qty.	2-1/2"-6"	Qty.	8" and 10"
1	BOLT, COVER	6	554-11A	8	957-11
2	O-RING	1	222N	1	227N
3	UPPER PLUNGER	1	3707-34	1	3711-34
4	DIAPHRAGM	1	3707-43	1	3711-43
5	LOWER PLUNGER	1	3707-34A	1	3711-34A
6	SEAL RING	1	3707-12	1	3711-12
7	SEAL RETAINER	1	3707-14	1	3711-14
8	SCREW	1	558-11E	1	558-11E
9	CU SPRING	1	3707-33A	1	3711A-33
10	CU SEAT	1	3707-18	1	3711-18
11	O-RING	1	032N	1	146N
12	WASHER	1	N/A	1	3707-14
13	STEM ASSY.	1	3707-50	1	3711-50
14	O-RING	1	032N	1	142N

### Repair Kit, Rubber

**RK212-375R**      **RK8-375R**  
 Size 2-1/2"-6"      Size 8" and 10"

Item Number	Description	Qty.	Part Number	Part Number
6	SEAL RING	1	3707-12	3711-12
4	DIAPHRAGM	1	3707-43	3711-43
2	O-RING	1	222N	227N
11	O-RING	1	032N	146N
14	O-RING	1	032N	142N

### Repair Kit, Complete

**RK212-375**      **RK8-375**  
 Size 2-1/2"-6"      Size 8" and 10"

Item Number	Description	Qty.	Part Number	Part Number
N/A	REPAIR KIT, RUBBER	1	RK212-375R	RK8-375R
9	SPRING	1	3707-33A	3711A-33

