

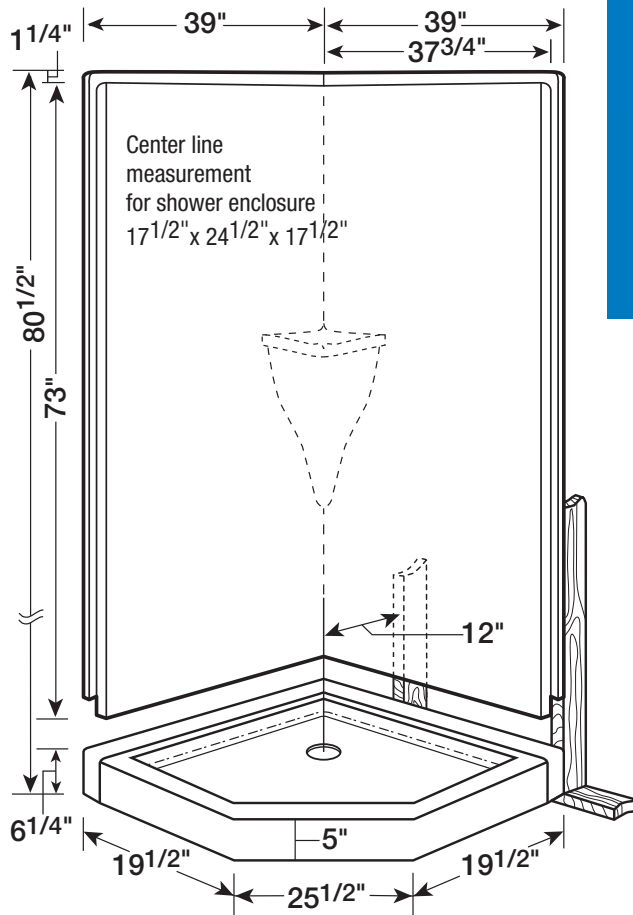
MODULAR SHOWER STALL MODEL 38KDNA

The 2-piece 39" Neo-Angle Shower is designed for corner installation. A large, self-draining soap ledge compliments the back corner. A standard non-skid floor provides added safety.

STANDARD FEATURES

1. Extra-heavy-duty construction
2. Composite supporting plate
3. Never leaks or rusts; chip-resistant
4. Stain-resistant gel-coated finish that cleans like magic
5. Warm to the touch
6. Ready-to-plumb construction makes installation easy and quick
7. Ample soap ledge
8. Anti-slip floor (meets ASTM -462)
9. Target weight = 120 ± 10 pounds.

Model 38KDNA



OPTIONAL FEATURES

- Factory-installed and pre-plumbed pressure-balancing mixing valve
- Additional factory-installed through-bolted flangeless grab bar(s)
- Tempered glass enclosures
- Wide selection of contemporary colors

The base only (without walls) is also available.
See pg36 (model 38KDBS)



Printed using 100% new wind energy.