

**PFC15515**

# **CLOSET SCREWS**



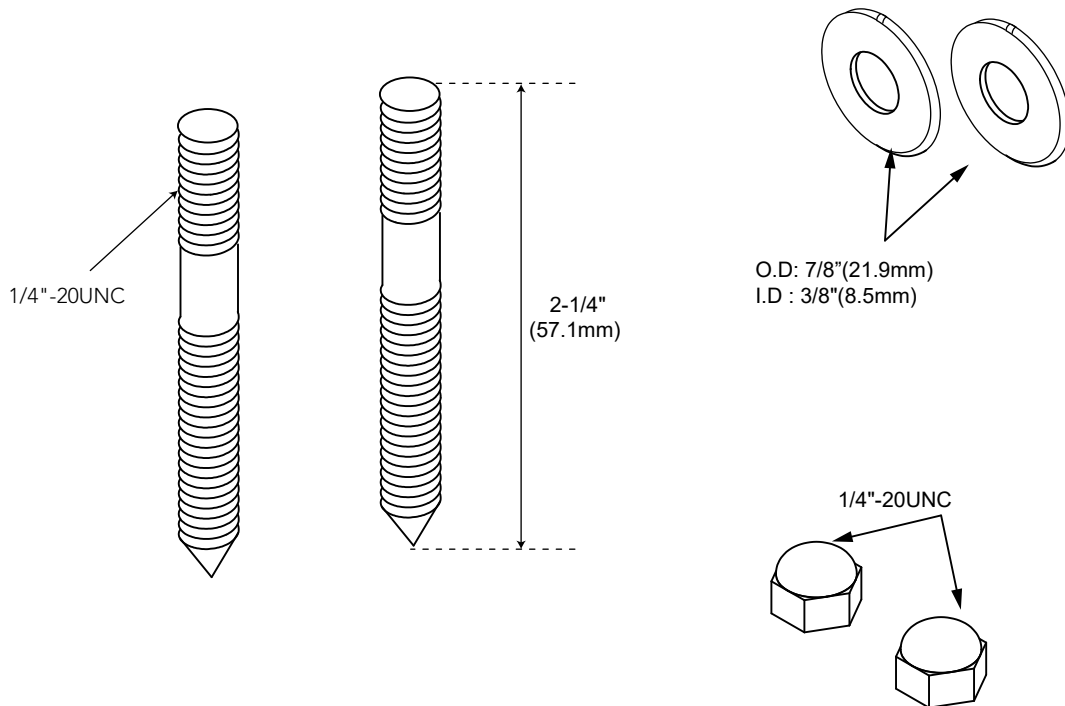
## **Product Features**

- Brass plated steel bolts
- Nickel plated acorn steel nut
- Nickel plated round steel washer
- Size: 1/4" x 2-1/2"
- Individually bagged



**PFC15515**

## **Product Specifications**



## **Warranty and Codes**

This product comes complete with installation, operating, care and maintenance instructions.  
This PROFLO product carries a 1-year limited warranty.