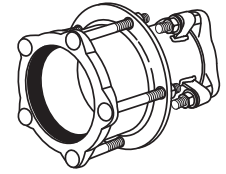
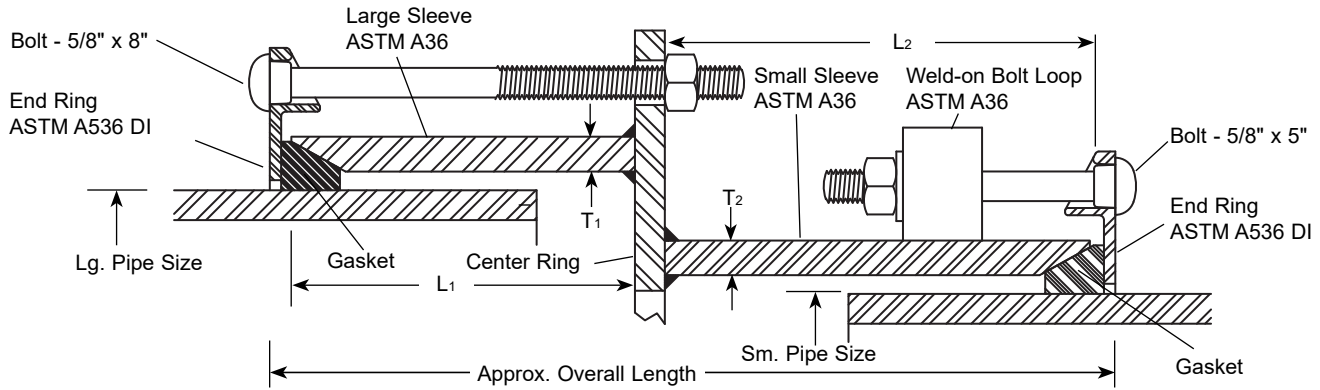


SUBMITTAL INFORMATION

Steel Reducing Coupling - (FC6-xxx-xxx-R style)



8" STYLE FC6 COUPLINGS FOR JOINING PIPES WITH DIFFERENT O.D.'S



NOM PIPE SIZE	LARGE END				BY	NOM PIPE SIZE	SMALL END				APPROX. OVERALL LENGTH	CATALOG NUMBER	✓ SUBMITTED ITEM(S)
	GASKET RANGE	LENGTH L1	BOLT QTY.	DIM T1			GASKET RANGE	LENGTH L2	BOLT QTY.	DIM T2			
8"	8.63-9.05	5"	5	1/4" or 3/8"	X	4"	4.00	7"	3	1/4" or 3/8"	13-1/2"	FC6-905-400-R	
							4.50-4.80					FC6-905-480-R	
							4.80-5.10					FC6-905-510-R	
							5.15-5.57					FC6-905-557-R	
						6"	6.00	7"	4	1/4" or 3/8"	13-1/2"	FC6-905-600-R	
							6.63-6.90					FC6-905-690-R	
							6.90-7.20					FC6-905-720-R	
							7.21-7.56					FC6-905-756-R	
8"	9.05-9.40	5"	5	1/4" or 3/8"	X	4"	4.00	7"	3	1/4" or 3/8"	13-1/2"	FC6-940-400-R	
							4.50-4.80					FC6-940-480-R	
							4.80-5.10					FC6-940-510-R	
							5.15-5.57					FC6-940-557-R	
						6"	6.00	7"	4	1/4" or 3/8"	13-1/2"	FC6-940-600-R	
							6.63-6.90					FC6-940-690-R	
							6.90-7.20					FC6-940-720-R	
							7.21-7.56					FC6-940-756-R	
8"	9.40-9.74	5"	5	1/4" or 3/8"	X	4"	4.00	7"	3	1/4" or 3/8"	13-1/2"	FC6-974-400-R	
							4.50-4.80					FC6-974-480-R	
							4.80-5.10					FC6-974-510-R	
							5.15-5.57					FC6-974-557-R	
						6"	6.00	7"	4	1/4" or 3/8"	13-1/2"	FC6-974-600-R	
							6.63-6.90					FC6-974-690-R	
							6.90-7.20					FC6-974-720-R	
							7.21-7.56					FC6-974-756-R	

Note: Flexible couplings do not restrain axial forces on piping.

FEATURES

- Sleeves: Carbon steel per ASTM A36
- Center Ring: Carbon steel per ASTM A36
- End Rings: Ductile iron per ASTM A536
- Bolts and Nuts: Low alloy steel per ASTM A536 or AWWA C111
- Gasket: SBR rubber per ASTM D2000 80M 4AA800
- Finish: Black shop coat - NSF 61 standard approved
- Complies with AWWA C219 standards

The Ford Meter Box Company considers the information in this submittal form to be correct at the time of publication. Item and option availability, including specifications, are subject to change without notice. Please verify that your product information is current.



The Ford Meter Box Company, Inc.

P.O. Box 443, Wabash, Indiana U.S.A. 46992-0443

Phone: 260-563-3171 / Fax: 800-826-3487

Overseas Fax: 260-563-0167

www.fordmeterbox.com

03/09/18

Submitted By: