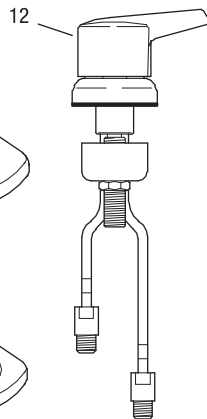
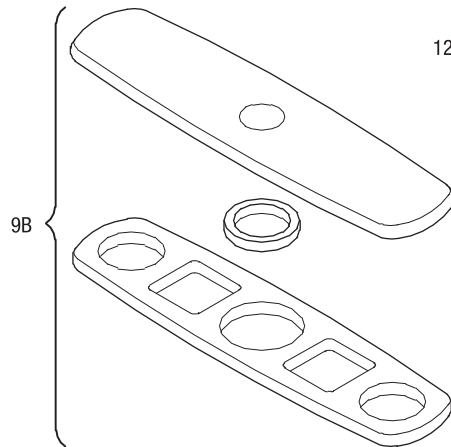
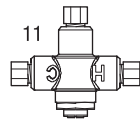
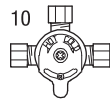
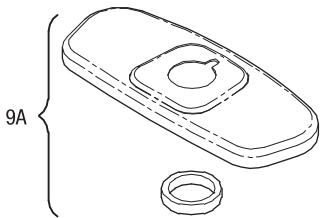
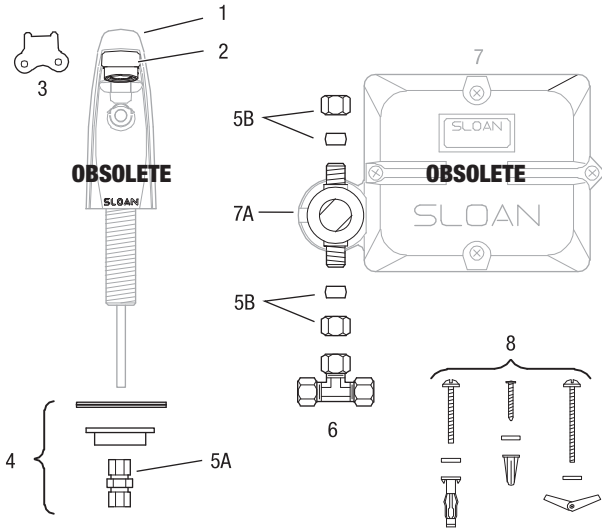


Optima Plus® ERF-885 – OBSOLETE



PARTS LIST—EAF-880 FAUCET

Item No.	Code No.	Part No.	Description
1.	0361000	ERF-1-A	Faucet Spout and Sensor Assembly (ERF-885) – OBSOLETE
2.	3365091	ETF-1021-A	0.5 gpm (1.9 Lpm) Spray Head with Key (male thread)
3.	0305927	ETF-435	Replacement Key Only for ETF-234, 0.5 gpm (1.9 Lpm) Spray Head
4.	0305626	ETF-290-A	Faucet Mounting Kit includes Base Gasket, Flange Nut and ETF-297 Compression Fitting Connector
5A.	0305737	ETF-297	1/4" to 3/8" Tube Compression Fitting Connector
5B.	3315001	EBF-16-A	Single Solenoid Supply Kit includes two (2) Compression Nuts and two (2) Compression Sleeves
6.	3365461	ETF-617-A	3/8" Bak-Chek® Tee Compression Fitting
7.		ERF-2-A	Control Module Assembly includes Base Enclosure, Cover Enclosure, two (2) Gaskets, Solenoid Body, Solenoid Enclosure and Solenoid Filter Plug – OBSOLETE
7A.	3315254	EBF-1011-A	Solenoid Replacement Kit includes Solenoid Body, Solenoid Enclosure and Solenoid Filter Plug
8.	3315018	EBF-79-A	Mounting Hardware Kit for Control Module Assembly includes four (4) Anchor Nuts, four (4) Toggle Nuts, four (4) Mounting Screws for Base Plate, four (4) Flat Washers, four (4) Anchors, and four (4) Metal Screws
—	3315028	EBF-1004-A	Solenoid Filter Replacement Kit (not shown) includes Filter Screen Assembly and O-ring
—	0315034	EBF-50	Control Module Replacement Gasket (two required)
TRIM PLATES			
9A.	3365473	ETF-662-A	4" (102 mm) Centerset Single-hole Trim Plate Kit (Standard)
9B.	3365024	ETF-510-A	8" (204 mm) Centerset Single-hole Trim Plate Kit (Optional)
OPTIONAL MIXING VALVES			
10.	3326009	MIX-60-A	Below Deck Mechanical Water Mixing Valve (BDM Variation)
11.	0326045	MIX-135-A	Below Deck Thermostatic Water Mixing Valve (BDT Variation)
12.	3326018	MIX-110-AA	Optimix® Deck Mounted Water Mixing Valve

— = Not shown in illustration

Hand Hygiene

Optima Plus® ERF-885

TROUBLESHOOTING GUIDE

1. Control Module troubleshooting beeper does not function (no audio “beeps” sound during faucet initialization, battery install or after reset button is pressed).

- A. No battery power is being supplied to Control Module.
Ensure that the batteries are installed properly into the Control Module. Check that the orientation of each battery matches the positive (+) and negative (-) symbols shown on the bottom of the Battery Compartment. Reinsert the Battery Compartment into the Control Module. Make sure the Battery Connector is securely attached to the Battery Compartment. An audio “beep” should sound 6 times.
- B. Insufficient battery power is being supplied to Control Module.
One (or more) of the batteries is “dead”. To ensure proper operation, insert four (4) new C-size Alkaline batteries. Check that the orientation of each battery matches the positive (+) and negative (-) symbols shown on the bottom of the Battery Compartment. Reinsert the Battery Compartment into the Control Module. Make sure the Battery Connector is securely attached to the Battery Compartment. An audio “beep” should sound 6 times.

2. Faucet does not deliver any water when Sensor is activated.

INDICATOR: Solenoid valve produces audible “CLICK.”

- A. Water supply valve is closed.
Open supply stop(s) completely.

INDICATOR: Solenoid valve DOES NOT produce an audible “CLICK.”

- B. Solenoid lead is not properly connected to the Control Module.
Disconnect and reconnect Solenoid lead to the Control Module.
- C. Batteries are not installed properly.
Check that the orientation of each battery matches the positive (+) and negative (-) symbols shown on the bottom of the Battery Compartment. Reinsert the Battery Compartment into the Control Module. Make sure the Battery Connector is securely attached to the Battery Compartment. An audio “beep” should sound 6 times.

3. Faucet delivers only a slow flow or dribble when Sensor is activated.

- A. Water supply valve is partially closed.
Open supply stop(s) completely.
- B. Solenoid Filter is clogged.
Remove, clean, and reinsert. Replace EBF-1004-A Solenoid Filter Kit if necessary.
- C. Aerator or Spray Head is clogged.
Remove, clean, and reinsert.

4. Faucet does not stop delivering water or continues to drip after user is no longer detected (automatic shut-off fails even when batteries are removed).

- A. Solenoid Valve has been connected backwards.
Disassemble Solenoid Valve compression fittings at both the inlet and outlet positions. The water should flow from inlet through the Solenoid Valve to the outlet according to the direction of the arrow shown on the side of the Solenoid Valve. Reconnect the compression fittings in the correct orientation.
- B. Solenoid Valve is dirty.
Backflush by reversing water flow (opposite to the direction shown by the arrow on the side of the Solenoid Valve) through the Solenoid Valve. Reconnect the compression fittings in the correct orientation. Activate faucet.
- C. Solenoid Valve Module is not working properly.
Replace Solenoid Valve Module.

5. The water temperature is too hot or too cold on a faucet connected to hot and cold supply lines with Bak-Chek® Tee.

- A. Supply stops are not adjusted properly.
Adjust supply stops.

NOTE: FOR SOME SYSTEMS, A THERMOSTATIC MIXING VALVE MAY BE REQUIRED.

CARE AND CLEANING OF CHROME AND SPECIAL FINISHES

DO NOT use abrasive or chemical cleaners (including chlorine bleach) to clean faucets as they may dull the luster and attack the chrome or special decorative finishes. Use ONLY soap and water, then wipe dry with clean cloth or towel.

While cleaning the bathroom tile, the faucet should be protected from any splattering of cleaner. Acids and cleaning fluids will discolor or remove chrome plating.

**When assistance is required, please contact
Sloan Valve Company Installation Engineering
Department at: 1-888-SLOAN-14 (1-888-756-2614).**