

H-12 HUGGER Band

Coupling Reduces Infiltration

CONTECH's H-12 HUGGER Bands are versatile, multi-purpose couplers for corrugated metal pipe. The H-12 HUGGER Band is designed to join HEL-COR[®] Pipe and provide the necessary strength to meet the current AASHTO joint and Performance Criteria for Standard Joints.

HEL-COR Pipe ends are reformed with two annular corrugations, providing one locking corrugation for the HUGGER Band, plus a corrugation for an O-ring gasket when necessary. The H-12 is also used with 12" wide flat gaskets.

For applications where infiltration is especially critical, the H-12 HUGGER Bands should be ordered with O-ring or flat gaskets, and in some cases, rods and lugs for pull-apart resistance.

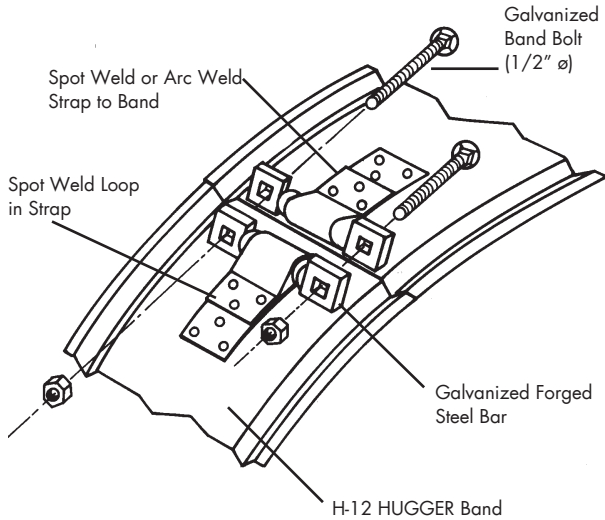
H-12 HUGGER Bands are available with any of CONTECH's standard materials or coatings including: plain galvanized, asphalt coated, ALUMINIZED STEEL Type 2, polymeric or aluminum.

The HUGGER concept features an excellent system for joining rerolled annular end corrugated pipe. Re-forming corrugations on each pipe end simplifies indexing between band and pipe, and provides for positive locking with the corrugations regardless of the orientation of the pipes. There is no need to rotate pipe sections as is often necessary with helically-ended pipe. The HUGGER Band engages the rerolled end of the pipe for 360° to provide more moment capability and pull-apart resistance than a dimple band.

Details are shown on the other side.



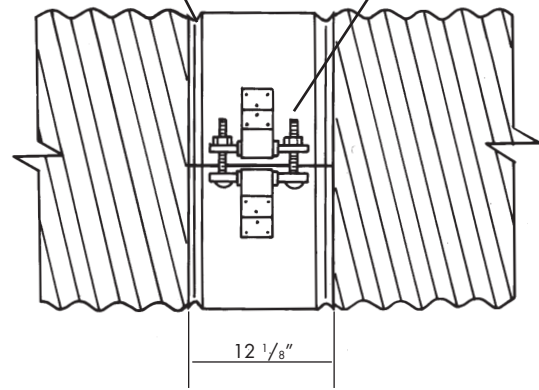
Physical Details



Bolt, Bar and Strap Connector*

*A single bolt, bar and strap connector is shown. The H-12 HUGGER Band is also available with Techno angles. Specifying a double bolt, bar and strap connector is recommended for some diameter and gauge combinations. When O-ring gaskets are to be used, the specifications should generally indicate the use of bolt, bar and strap connectors. Additional details and information are available from your local CONTECH Sales Engineer. For applications with ≥ 48 " diameter pipe to meet infiltration/exfiltration requirements, double bolt, bar and strap connectors with a backing plate assembly should be specified.

Continuous corrugation around band meshes with second annular corrugation in pipe ends.



Standard construction is one-piece for 12" through 48", two-piece for 54" through 96", and three-piece for 102" and above.

