

H-6 HUGGER Band

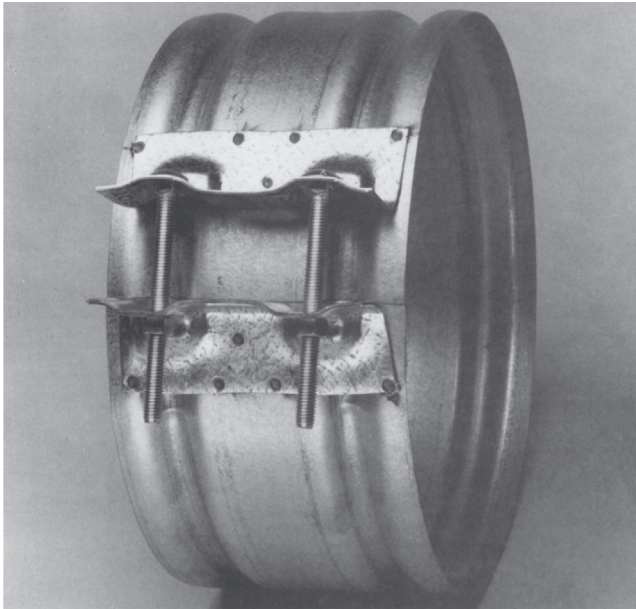
H-6 HUGGER Band

A simple, economical coupling for corrugated pipe

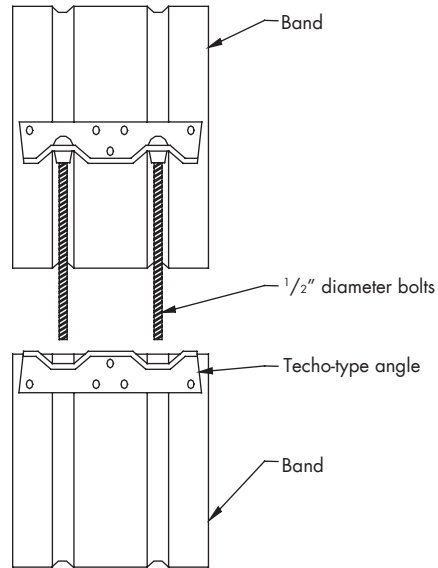
The H-6 HUGGER Band is a simple, low-cost coupling for helically corrugated pipe with rerolled annular ends. Like other HUGGER Bands, it offers simple, easy installation and excellent soil tightness, plus the added benefit of improved economy.

It is available from 12- to 36 inches and can be furnished in galvanized steel, aluminum, polymeric-coated, or as ALUMINIZED STEEL Type 2 for added corrosion resistance.

Within the size range shown, the H-6 HUGGER Band meets the specifications of AASHTO's Joint Performance Criteria in the Standard Joint category.

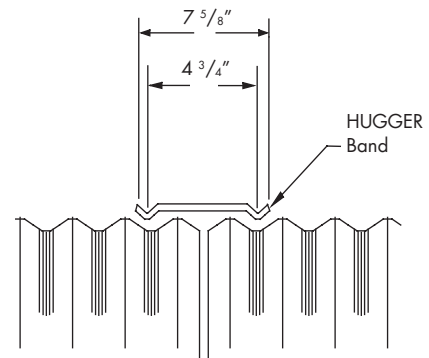


H-6 HUGGER Band 2 2/3" x 1/2" Corrugation



Connection Detail

Techco-type angle attached with spot welds, rivets or hand welds.



Section

Pipe Size, in.	Nominal Thickness, in.		Type of Connector
	Pipe	Band	
12 thru 36	0.064-0.109	0.052	Techco type angle

Note: The H-6 HUGGER Band is also available with a single-bolt Techco-type angle or with bolt, bar and strap connectors.