

# INSTALLATION INSTRUCTIONS

For Model: 9066

**WARNING! SHUT POWER OFF AT FUSE OR CIRCUIT BREAKER.**  
**AVERTISSEMENT! COUPER LE COURANT AU NIVEAU DES FUSIBLES OU DU DISJONCTEUR.**

## HANGING THE FIXTURE (Fig. 1)

1. Shut off the power at the circuit breaker and remove old fixture.
2. Carefully unpack your new fixture and lay out all the parts on a clear area. Take care not to lose any small parts necessary for installation.
3. Attach the Finial (A) to the Cover (E) and Secure with the nut (D), Nipple (B) and washer (C)
4. Fix the glasses on to the cage by using Clips, gasket and screws.
5. Install bulb. (A-19 medium base, not supplied.)
6. Attach the cover (E) to the Fixture by using the 2 Screws (F)
7. Connecting the wires (Fig. 2):

Connect the black wire from the fixture to the black house (hot) wire. Connect the white wire from the fixture to the white (neutral) house wire. Make sure all wire nuts are secured. You may wrap the connections with electrical tape. If your outlet has a ground wire (green or bare copper), connect fixture's ground wire to it. Otherwise, connect fixture's ground wire directly to the crossbar using the green screw provided. Tuck the wire connections neatly into the junction box.

8. Place the Fixture(G) to the post (I), and then secure with the 3 Mounting screws (H)
9. Turn on the power at fuse or circuit box.

**DO NOT EXCEED THE MAXIMUM WATTAGE RATING!**  
**(NE PAS DEPASSER LA PUISSANCE NOMINALE MAXIMALE!)**

**Your installation is now complete. Return power to the junction box and test the fixture.**

Fig.1

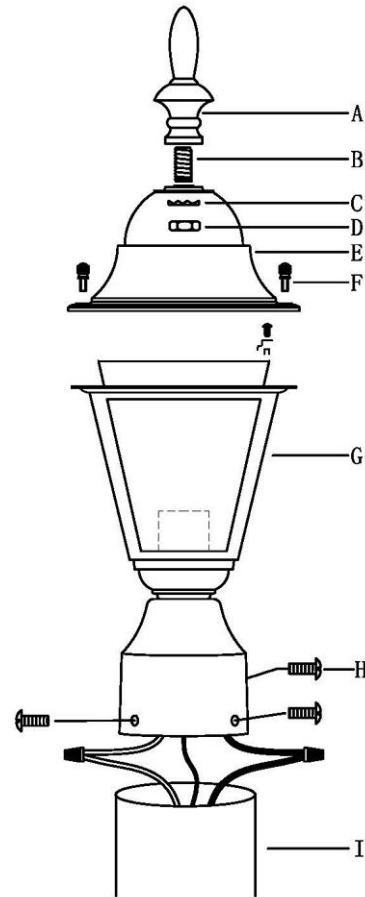


Fig. 2

