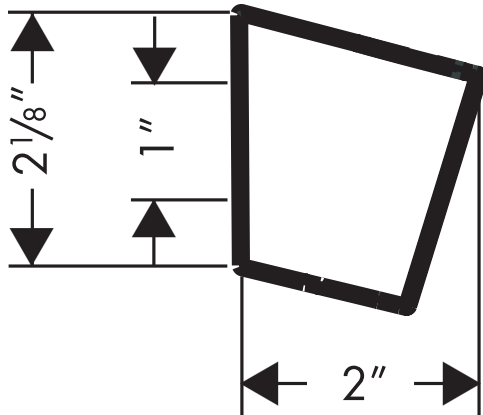


Product Features

- Wall-mounted handshower holder
- Fits handshower hose with conical nut

Available Finishes

| | |
|-------------------|----------|
| Chrome | 28331000 |
| Oil Rubbed Bronze | 28331620 |
| Steel | 28331800 |
| Brushed Nickel | 28331820 |



The measurements shown are for reference only.

Products and specifications shown are subject to change without notice.

Specification sheet revised 1/2008