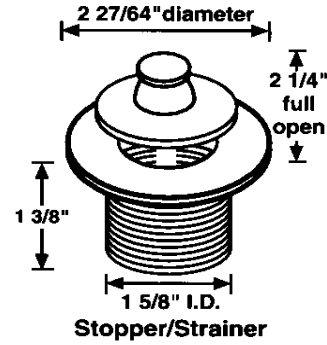


DESIGN FEATURES

- All finishes are PVD for superior performance and durability
- Units come individually boxed
- Patented design
- Provides watertight seal
- All finishes available with Lift & Turn, Toe-Touch and PushPull stopper



LIFT & TURN STOPPER	FINISH	SNAP ON/TNT	1 HOLE COVER	2 HOLE COVER
<p>Shown with No Hole TNT Cover Plate</p>	Pearl Nickel	R-0984	R-0978	R-0990
	Satin Chrome	R-0985	R-0979	R-0991
	Satin Nickel	R-0986	R-0980	R-0992
	Oil Rubbed Bronze	R-0987	R-0981	R-0993
	Polished Nickel	R-0988	R-0982	R-0994
	Pewter	R-0989	R-0983	R-0995
	Chrome	R-0970	R-0971	R-0972
	Polished Brass	R-0999	R-0968	R-0966
	White	R-0976	R-0967	R-0965

PUSH-PULL STOPPER	FINISH	SNAP ON/TNT	1 HOLE COVER	2 HOLE COVER
<p>Shown with 1-Hole Cover Plate</p>	Pearl Nickel	R-0984-P	R-0978-P	R-0990-P
	Satin Chrome	R-0985-P	R-0979-P	R-0991-P
	Satin Nickel	R-0986-P	R-0980-P	R-0992-P
	Oil Rubbed Bronze	R-0987-P	R-0981-P	R-0993-P
	Polished Nickel	R-0988-P	R-0982-P	R-0994-P
	Pewter	R-0989-P	R-0983-P	R-0995-P
	Chrome	R-0970-P	R-0971-P	R-0972-P
	Polished Brass	R-0999-P	R-0968-P	R-0965-P
	White	R-0976-P	R-0967-P	R-0966-P

TOE-TOUCH STOPPER	FINISH	SNAP ON/TNT	1 HOLE COVER	2 HOLE COVER
<p>Shown with 2-Hole Cover Plate</p>	Pearl Nickel	R-0984-T	R-0978-T	R-0990-T
	Satin Chrome	R-0985-T	R-0979-T	R-0991-T
	Satin Nickel	R-0986-T	R-0980-T	R-0992-T
	Oil Rubbed Bronze	R-0987-T	R-0981-T	R-0993-T
	Polished Nickel	R-0988-T	R-0982-T	R-0994-T
	Pewter	R-0989-T	R-0983-T	R-0995-T
	Chrome	R-0970-T	R-0971-T	R-0972-T
	Polished Brass	R-0999-T	R-0968-T	R-0966-T
	White	R-0976-T	R-0967-T	R-0965-T

PART ASSEMBLY LIST

- 1-Premium Stopper
- 1-1 1/2" x 11 1/2" TPI 1-Strainer Body
- 1-Overflow Plate
- 0, 1 or 2 -2 1/4" Screw



3689 Arrowhead Drive, Carson City, NV 89706

Phone (800) 854-3215 Fax (800) 243-1777

E-mail sales@lspproducts.com Website www.lspproducts.com

Content matter is subject to change at any time. It is the user's responsibility to ensure the most updated revisions are obtained.

RF/S-2009 (12-08) Rev 2

Product Submittal	
Job Name	
Date	
Part Number	QTY
Architect	
Contractor	