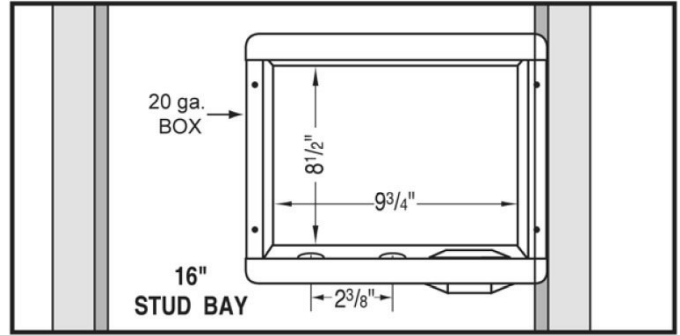


SPECIFICATION SUBMITTAL SHEET



RIGHT DRAIN GALVANIZED WMOB with Single Lever Arrester Valve



Specifications:

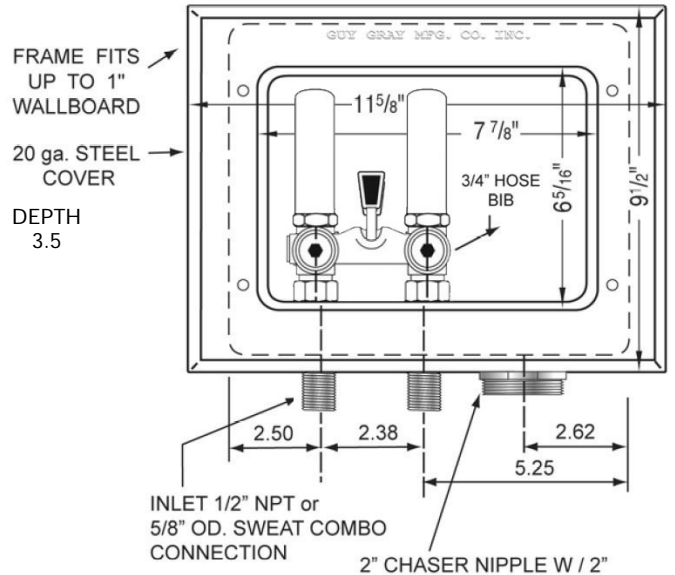
Furnish and install Guy Gray metal washing machine outlet box with integral hammer arrester single lever valve. Unit shall be Guy Gray product code checked below as manufactured by IPS Corporation.

Box Material:

G90 Hot Dipped Galvanized Steel (Unpainted)
20 gauge box and 20 gauge faceplate

Valve & Drain Options:

Single Lever Arrester Valve kit with 1/2" MIP/Sweat connection. 2" threaded drain. Valves comply with ASME A112.18.1. Hammer arresters comply with ASSE 1010.



Item #	Product Description	Model #	Quantity
82048	Single Lever Valve w/Hammer Arresters, 2" Drain	WB200HA	6
82049	Single Lever Valve w/Hammer Arresters, 2" Drain/ Top Supply	WB200HATM	6

