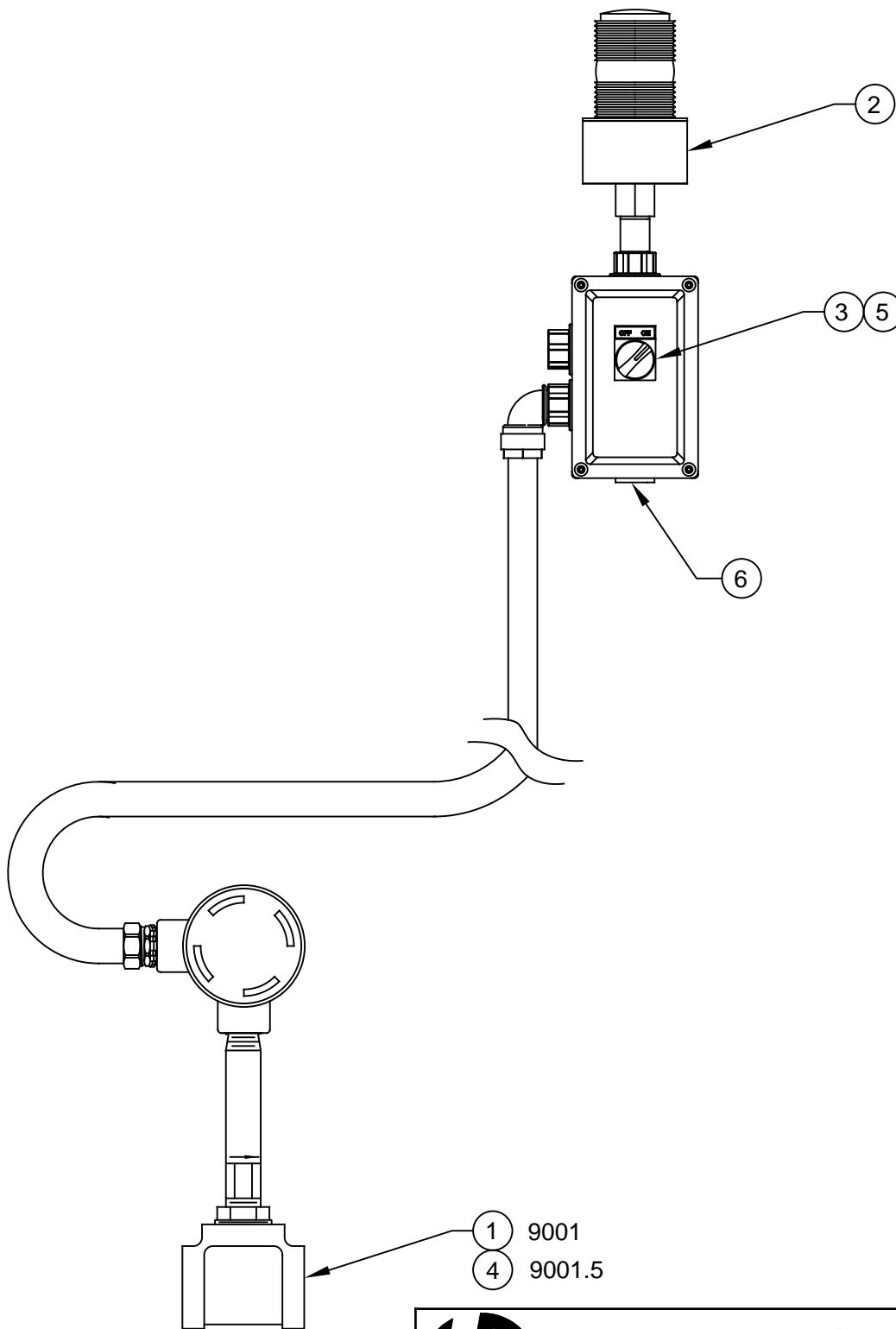



ITEM	DESCRIPTION	PART NO.
1	FLOW SWITCH	SP154DPDT
2	120V LIGHT	0003225300
3	SELECTOR SWITCH	0005726705.3
4	FLOW SWITCH	0005726850
5	LEGEND PLATE	0004465585.2
6	PIEZO ALARM	0210000283

PARTS BREAKDOWN



1 9001
4 9001.5

 Haws [®]			1455 KLEPPE LANE SPARKS, NEVADA 89431 (775) 359-4712 FAX (755) 359-7424 E-MAIL: HAWS@HAWSCO.COM WEBSITE: WWW.HAWSCO.COM		
			ECN NO.	REVISED PER	BY
	ECN: 5232	GC	9001/9001.5 ALARM	0002080202	
DRAWN	DATE	CHKD		DRAWING NO.	REV
CLF	3/17/93			A	31
APPROVED	DATE		SCALE: 1:2.5	DRAWING TYPE:	PARTS BREAKDOWN
FV	11/22/17			SIZE: A	SHEET 1 OF 1

WHEN ORDERING PARTS PLEASE SPECIFY MODEL NUMBER.