

## FEATURES & BENEFITS

### AUDIBLE/VISUAL

Notification of an emergency is clearly noticeable with a brightly flashing amber light and easily recognizable with a 90 db buzzer. Buzzer can be silenced during testing by use of the silencing switch.

### FLOW SWITCH

The alarm is activated by an 1-1/4" IPS double pole, double throw brass flow switch that is supplied with an extra set of electrical contacts for remote alarm hook-up.

### FLEXIBILITY

The alarm is easily placed in a number of mounting configurations with the supplied pipe clamp.



## OPTIONS

For more information, visit [www.hawsc.com](http://www.hawsc.com) or call (888) 640-4297.

## SPECIFICATIONS

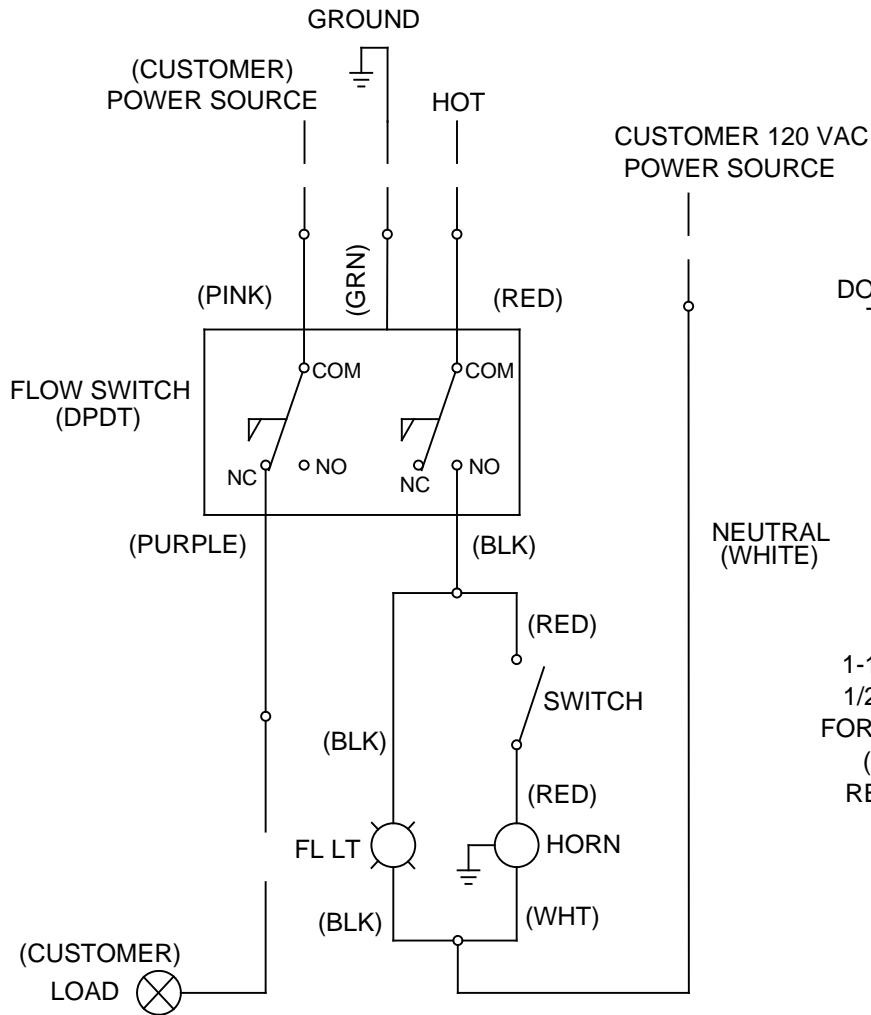
Model 9001 emergency alarm and light system will be operated by a double pole, double throw flow switch, which contains multiple sets of contacts for remote activation, and activates an amber flashing light and buzzer at 90 db, audible at 10 feet (304.8 cm) (buzzer can be silenced during testing). Switch will activate at 2.4 gpm (9.1 L). System can be mounted to pipe or wall. Voltage: 120 VAC, 50 or 60 cycles. Supply: 1-1/4" NPT. Model 9001 is CSA electrical certified, TYPE 4. (Equivalent to Nema 4)

## APPLICATIONS

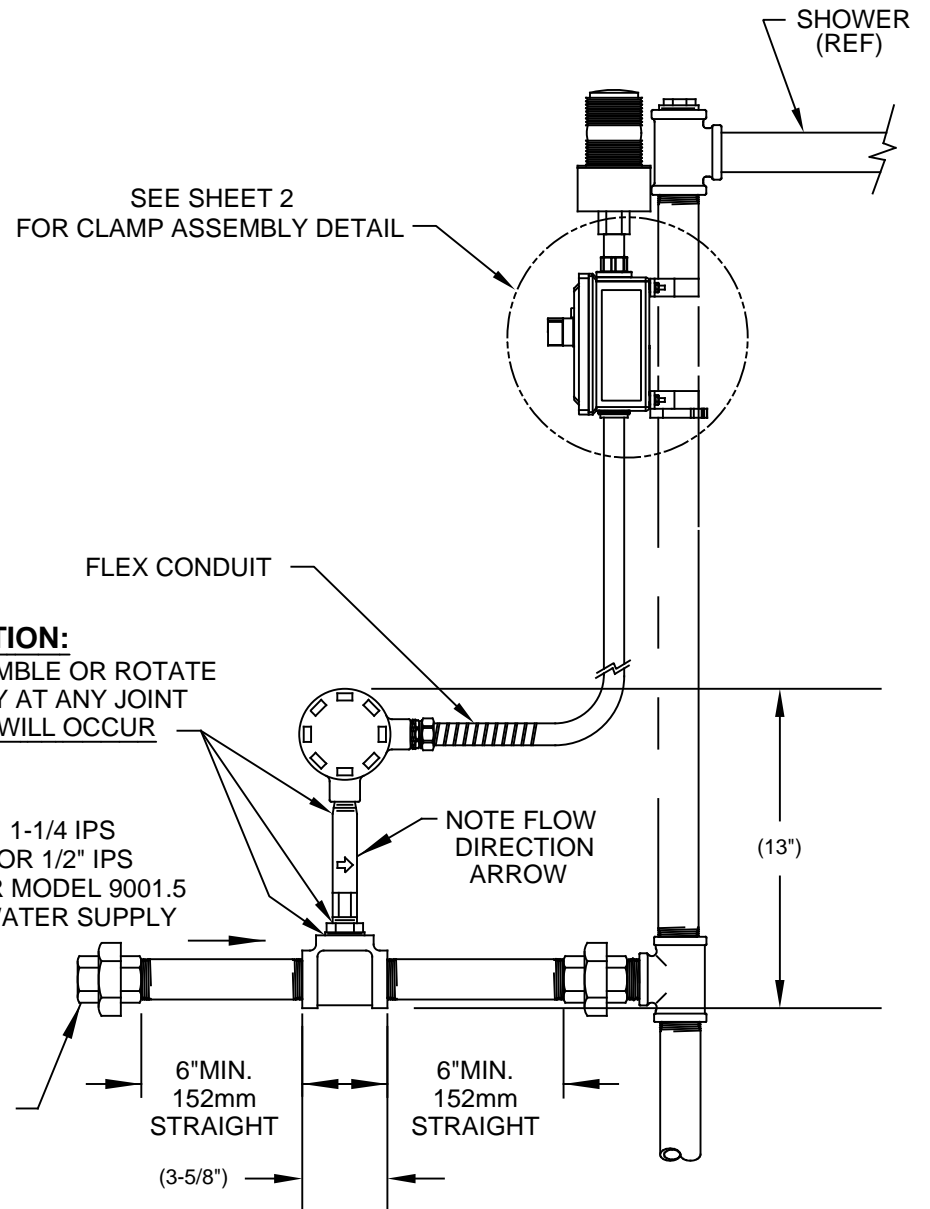
Specifically, this alarm can be used with almost any Haws combination shower/eyewash model. Model 9001 is CSA electrical certified, TYPE 4. (Nema 4 equivalent)

**NOTES:**

1. THE SIGNAL FROM THE PURPLE WIRE WILL BE SUPPLY VOLTAGE WHEN NO WATER IS FLOWING AND ZERO VOLTAGE WHEN THE FLOW SWITCH AND LOCAL ALARM ARE ACTIVATED. IF A REMOTE ALARM IS NOT USED, THE PURPLE WIRE MUST BE INSULATED AT ITS FREE END. LEAVING THE TWO CRIMP TERMINALS (SUPPLIED) CONNECTED WILL DO THIS.
2. INSTALLER MUST USE A THREAD SEALANT, SUCH AS APPLETON TLC3, RECOMMENDED FOR USE ON ELECTRICAL COMPONENTS ON ALL ELECTRICAL NPT CONNECTIONS.



**WIRING DIAGRAM**



**FLOW SWITCH MUST BE MOUNTED IN HORIZONTAL POSITION**

1455 KLEPPE LANE  
SPARKS, NEVADA 89431  
(775) 359-4712 FAX (775) 359-7424  
E-MAIL: HAWS@HAWS.CO.COM  
WEBSITE: WWW.HAWS.CO.COM

ECN NO. REVISED PER BY: ECN: 5232 JP		MODEL(S)		PART NUMBER	
DRAWN: CH		DATE: 01/09/01		CHKD.: GC	
APPROVED: FV		DATE: 11/22/17		REVISION	
		SCALE: 1:1		DRAWING TYPE: INSTALLATION	
				SIZE: A SHEET 1 OF 2	
				9001/9001.5 ALARM	
				0002080202.D	
				31	