

# SBHG-4272 drop-in bathtub

**Model number:**

141108

**Dimensions:** 72" x 42" x 22"

**Installation:** Drop-in

**Material:** AcryIX™



## Standard Features:

- Armrests at each tub end
- Raised headrests
- Symmetrical backrests with lumbar supports
- Deep bathing well
- 20 1/4 inch deep sump
- Bottom bathing well: 49 1/4 inch L x 30 inch W
- Textured floor

## Product characteristics:

- Integrated Armrest
- Two-person bath
- Raised headrest

## Systems:

Bodywrap

## Warranty:

Lifetime limited

## Standard colors:



White (002)



Bone (004)



Biscuit (007)

## Certifications

MAAX products adhere to one or more of the following certifications:



## Recommended products (Visit our website for a complete list of our recommended doors)

Description	No
137502	Edge Duo Tub Shield 42 x 58 in. 8 mm

## Options (Visit our website for a complete list of our options)

No	Description
<input type="checkbox"/> OPT 10172	In-line heater (factory-installed)
<input type="checkbox"/> OPT 10174	Pump position opposite standard position
<input type="checkbox"/> OPT 10175	Designer grab bars in Chrome
<input type="checkbox"/> OPT 20209	Trim Kit for Bodywrap whirlpool system
<input type="checkbox"/> OPT 20139	Ozonator for whirlpool system

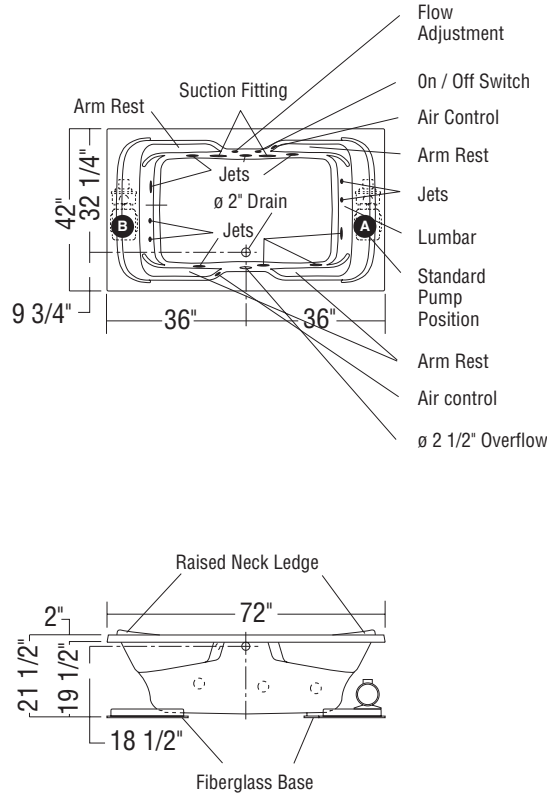
# SBHG-4272 drop-in bathtub

**Model number:** 141108

**Dimensions:** 72" x 42" x 22"

**Installation:** Drop-in

**Material:** AcrylX™



12-jet Bodywrap System SBHG-4272 / BWS (illustrated)

<b>Dimensions:</b>
72 x 42 x 21 1/2 in. (1829 x 1067 x 546 mm)
<b>Water capacity:</b>
125 gallons - 472 liters
<b>Weight:</b>
99 lbs - 44.9 kg
<b>Bathing well:</b>
55 X 30 in. (1397 X 762 mm)
<b>Deep sump height:</b>
19 1/2 in. - 495 mm
<b>Deck width:</b>
2 1/2 in. - 64 mm
<b>Drain location:</b>
Center

All dimensions are approximate. Structure measurements must be verified against the unit to ensure proper fit.

Project: \_\_\_\_\_

Contractor: \_\_\_\_\_

Representative: \_\_\_\_\_

Date: \_\_\_\_\_

Tel: \_\_\_\_\_

Notes: \_\_\_\_\_

\_\_\_\_\_

\_\_\_\_\_