

Trim Kits

NuFit® Trim Kits

Model 48100 **PRESFLO®**

Model 48400 **Lift and Turn**

Model 48500 **PUSH PULL®**



▲ Model 48300: NuFit® LIFT AND TURN Tub Closure



▲ Model 48100: NuFit® PRESFLO® Trim Kit



▲ Model 48600: NuFit® PUSH PULL® Tub Closure

See price list for complete item numbers and available options.

When ordering, please specify complete item number and any applicable option codes.



For More Information Contact:
WATCO Manufacturing Company
 1220 South Powell Road
 Independence, MO 64057-2724
 Ph. 816-796-3900 • FAX 816-796-0875
www.watcomfg.com

SPECIFICATIONS

FEATURES:

- Brass strainer bodies have a maximum coverage of 2.875" O.D.
- PRESFLO® and Lift & Turn kits do not require crossbars in previous strainer body. PUSH PULL® kits do require previous strainer body to have crossbars.
- NuFit® easily and quickly installs over previous strainer bodies, requiring only the provided silicone adhesive. *Best if not used for 24 hours after installation.*
- Replacement stoppers available.

PATENTS:

- U.S. Pat. 5,745,931
- Canadian Pat. 2,288,035
- Mexican Pat. PA/a/1999009723

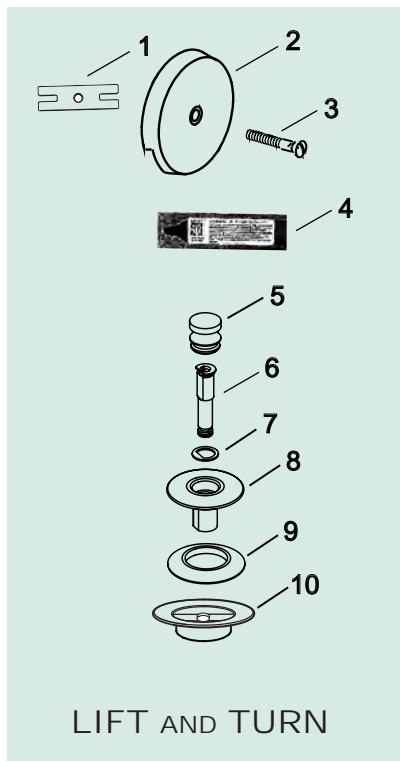
OPTIONS:

- Available in 2-hole kits. Add "2H" at end of part number (example: 48100-BN-2H).
- Metal stoppers available for PRESFLO®. Add "MS" at end of part number (example: 48100-CP-MS). PUSH PULL® and Lift and Turn come with metal stoppers.

Finishes Available in the NuFit® Series:

Trim Kits:	48100 (PF)	48400 (LT)	48500 (PP)
CP - Chrome Plated	•	•	•
AB - Antique Brass			
AP - Aged Pewter	•		
BB - Brushed Bronze			
BN - Brushed Nickel	•	•	•
BO - Bone			
BS - Biscuit			•
BZ - Oil-Rubbed Bronze	•	•	•
CB - Chrome Brushed	•	•	
NP - Nickel Polished			
PB - Polished Brass	•	•	•
PN - Pearl Nickel	•		•
WH - White			•
WI - Wrought Iron	•		

NuFIT® Series Parts Lists



LIFT AND TURN

#48400 NuFIT® – LT TRIM KIT

1. 11641 Adapter Bar
2. 01002___ 1-Hole Overflow Plate
3. 01024___ Overflow Plate Screw, 2.25"
4. 96057 Silicone Pouch, new style
5. 01010___ Knob, Brass
6. 11078 L&T "D" Pin for NuFit®
7. 11088 L&T "D" Ring
8. 01046___ PP Stopper, Brass (short)
9. 11507 PP Seal, 1-1/6" dia.
10. 01044___ NuFit LT Strainer Body

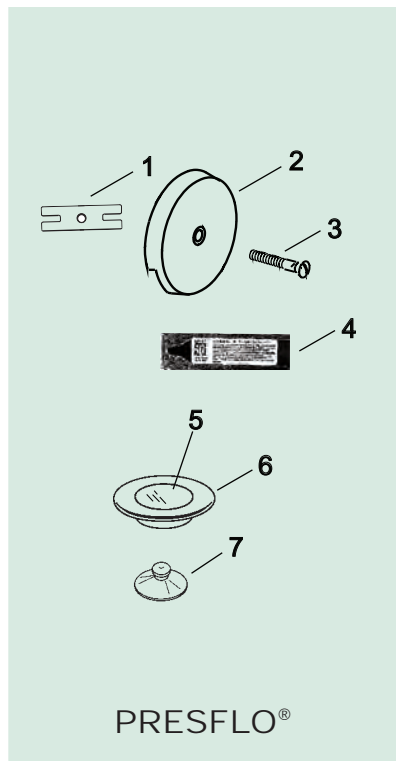
Requires minimum 1.390" I.D. opening
Flange covers maximum of 2.875" O.D.
Depth clearance needed = .390"

#48300 NuFIT® – LT TUB CLOSURE

4. 96057 Silicone Pouch, new style
5. 01010___ Knob, Brass
6. 11078 L&T "D" Pin for NuFit®
7. 11088 L&T "D" Ring
8. 01046___ PP Stopper, Brass (short)
9. 11507 PP Seal, 1-1/6" dia.
10. 01044___ NuFit LT Strainer Body

LIFT AND TURN FINISHES

CP - Chrome Plated
 BN - Brushed Nickel
 BZ - Oil-Rubbed Bronze
 CB - Chrome Brushed
 PB - Polished Brass



PRESFLO®

#48100 NuFIT® – PF TRIM KIT

1. 11641 Adapter Bar
2. 01002___ 1-Hole Overflow Plate
3. 01024___ Overflow Plate Screw, 2.25"
4. 96057 Silicone Pouch, new style
5. 11155___ PF Stopper, FT, Plastic
6. 01042___ PF NuFit Strainer Body
7. 96039 PF Suction Cup, 1.5"

Requires minimum 1.490" I.D. opening
Flange covers maximum of 2.875" O.D.
Depth clearance needed = .850"

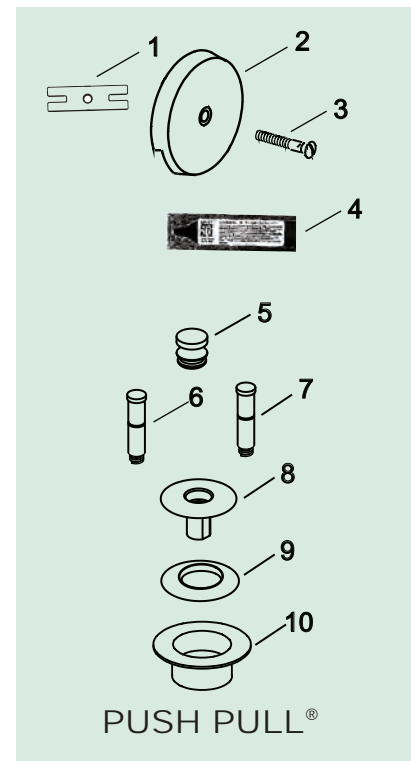
ADA

#48200 NuFIT® – PF TUB CLOSURE

4. 96057 Silicone Pouch, new style
5. 11155___ PF Stopper, FT, Plastic
6. 01042___ PF NuFit Strainer Body
7. 96039 PF Suction Cup, 1.5"

PRESFLO® FINISHES

CP - Chrome Plated PB - Polished Brass
 AP - Aged Pewter PN - Pearl Nickel
 BN - Brushed Nickel WI - Wrought Iron
 BZ - Oil-Rubbed Bronze
 CB - Chrome Brushed



PUSH PULL®

#48500 NuFIT® – PP TRIM KIT

1. 11641 Adapter Bar
2. 01002___ 1-Hole Overflow Plate
3. 01024___ Overflow Plate Screw, 2.25"
4. 96057 Silicone Pouch, new style
5. 01010___ Knob, Brass
6. 11532 3/8 Pin with 11505 Friction Ring
7. 11536 5/16 Pin with 11505 Friction Ring
8. 01013___ PP Stopper, Brass
9. 11507 PP Seal, 1-1/6" dia.
10. 01043___ NuFit® Strainer Body

Requires minimum 1.410" I.D. opening
Flange covers maximum of 2.875" O.D.
Depth clearance needed = .860"

#48600 NuFIT® – PP TUB CLOSURE

4. 96057 Silicone Pouch, new style
5. 01010___ Knob, Brass
6. 11532 3/8 Pin with 11505 Friction Ring
7. 11536 5/16 Pin with 11505 Friction Ring
8. 01013___ PP Stopper, Brass
9. 11507 PP Seal, 1-1/6" dia.
10. 01043___ NuFit® Strainer Body

PUSH PULL® FINISHES

CP - Chrome Plated PB - Polished Brass
 BN - Brushed Nickel PN - Pearl Nickel
 BS - Biscuit WH - White
 BZ - Oil-Rubbed Bronze