

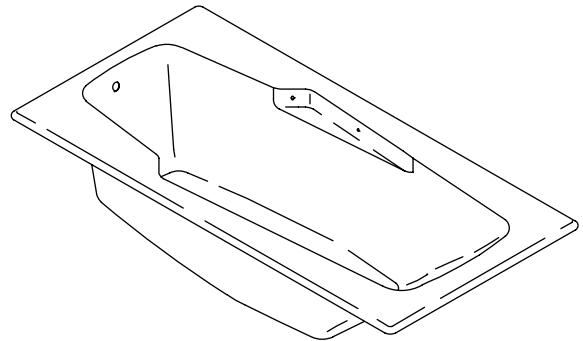
Features

- Cast iron with Safeguard® finish
- ADA compliant when installed per Section 607 of the Act
- Drilled for required grip rails
- Less all trim
- 72" (182.9 cm) x 36" (91.4 cm) x 18-1/4" (46.4 cm)

Codes/Standards Applicable

Specified model meets or exceeds the following:

- ADA
- ASME A112.19.1
- CSA B45
- UPC
- CABO/ANSI A117.1



Colors/Finishes

- 0: White
- Other: Refer to Price Book for additional colors/finishes

Accessories

- 0: White
- CP: Polished Chrome
- PB: Vibrant® Polished Brass
- NA: None applicable
- Other: Refer to Price Book for additional colors/finishes

Specified Model

| Model | Description | Colors/Finishes | |
|--------------------------------|--|-----------------------------|-------------------------------------|
| K-810 | Bath | <input type="checkbox"/> 0 | <input type="checkbox"/> Other_____ |
| Required Accessories | | | |
| K-9616 | Caribbean hand grip rails | <input type="checkbox"/> CP | <input type="checkbox"/> Other_____ |
| Recommended Accessories | | | |
| K-7213 | Clearflo bath cable drain with PVC tubing | <input type="checkbox"/> CP | <input type="checkbox"/> Other_____ |
| K-7214 | Clearflo bath cable drain without PVC tubing | <input type="checkbox"/> CP | <input type="checkbox"/> Other_____ |
| K-7161-AF | Clearflo pop-up bath drain | <input type="checkbox"/> CP | <input type="checkbox"/> Other_____ |

Product Specification

The bath shall be made of cast iron with Safeguard finish. Product shall be 72" (182.9 cm) in length, 36" (91.4 cm) in width, and 18-1/4" (46.4 cm) in height. Product shall be drilled for K-9616 grip rails (required), and less all trim. Product shall be ADA compliant when installed per Section 607 of the Act. Bath shall be Kohler Model K-810-_____.

CARIBBEAN®

| Optional Accessories | | | | |
|----------------------|--|----------------------------|-------------------------------------|-----------------------------|
| K-581 | Undermount installation kit | | | <input type="checkbox"/> NA |
| K-1179 | Vinyl tiling-in bead (use when wall material contacts any top surface of bath) | | | <input type="checkbox"/> NA |
| K-1491 | Pillow | <input type="checkbox"/> 0 | <input type="checkbox"/> Other_____ | |
| K-1601 | Footstop | <input type="checkbox"/> 0 | <input type="checkbox"/> Other_____ | |

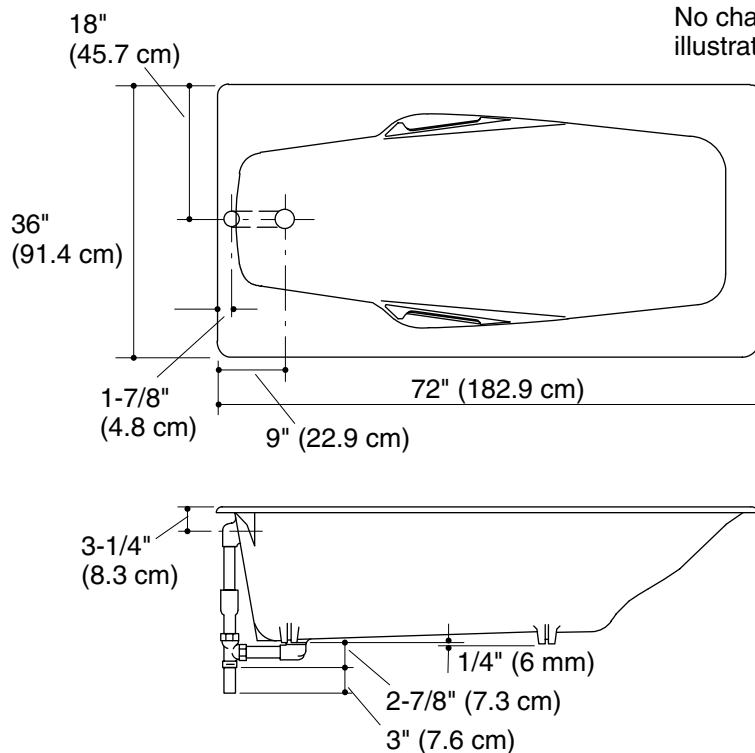
Technical Information

| | |
|---|--|
| Fixture*: | |
| Bathing well: | |
| Basin area, bottom | 47" (119.4 cm) x 24" (61 cm) |
| Basin area, top | 67" (170.2 cm) x 29" (73.7 cm) |
| Weight | 380 lbs (172.4 kg) |
| To overflow: | |
| Water depth | 12-7/8" (32.7 cm) |
| Capacity | 52 gal (196.8 L) |
| * Approximate measurements for comparison only. | |
| Drop-in cut-out | 70-1/2" (179.1 cm) x 34-1/2" (87.6 cm) |

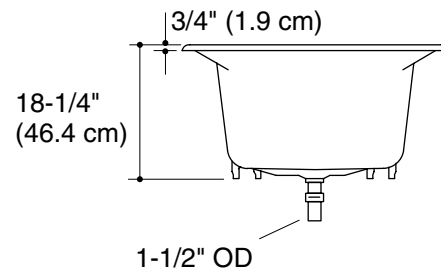
Installation Notes

Install this product according to the installation guide.

Floor support under the bath must provide for a minimum of 47 lbs/square foot (227.6 kg/square meter) loading.



No change in measurements if connected with drain illustrated.



Product Diagram