

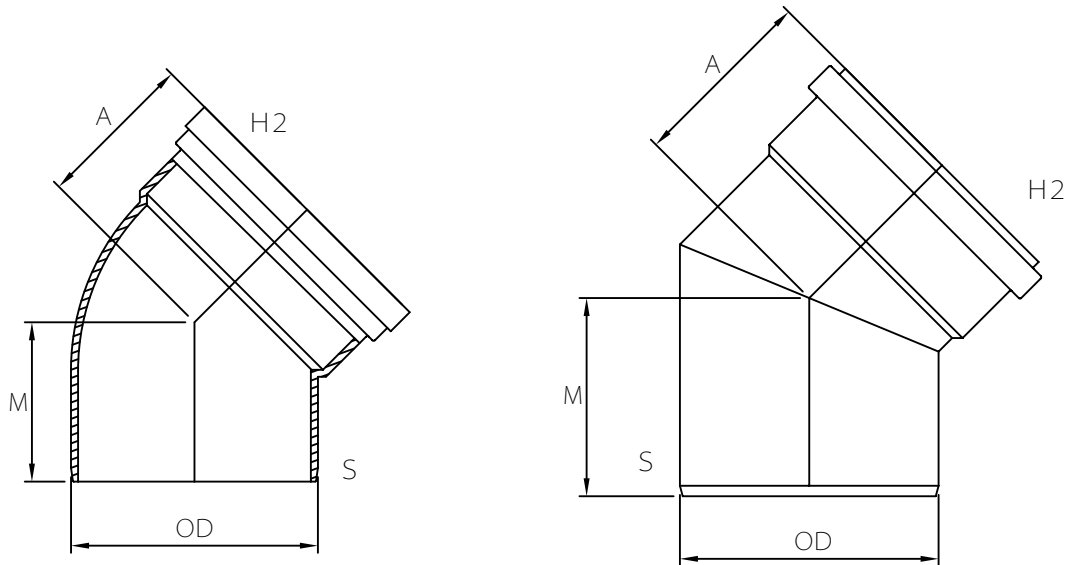


MULTI FITTINGS

LAYING LENGTH

ISSUE DATE: OCT 30/17
SUPERCEDES: SEPT 14/07

45 ° ELBOW (SxG) (1/8 BEND)



INJECTION MOLDED FITTING (M)

FABRICATED FITTING (F)

	SIZE SxH2	PART NUMBER	A REF	M REF	OD
M =	4x4	067374	3.500	4.000	4.215
M =	6x6	067376	4.625	5.125	6.275
M =	6x6 LONG	067016	5.500	6.375	6.275
M =	8x8	067378	5.500	6.125	8.400
F	10x10	067379	-	-	10.500
F @	12x12	067332	11.000	11.000	12.500
F @	15x15	067333	18.000	18.000	15.300
F @	18x18	067334	21.500	21.500	18.701

NOTE: = Refer to Page HW4 for Hub Detail, Type A
@ Refer to Page HW5 for Hub Detail, Fabricated