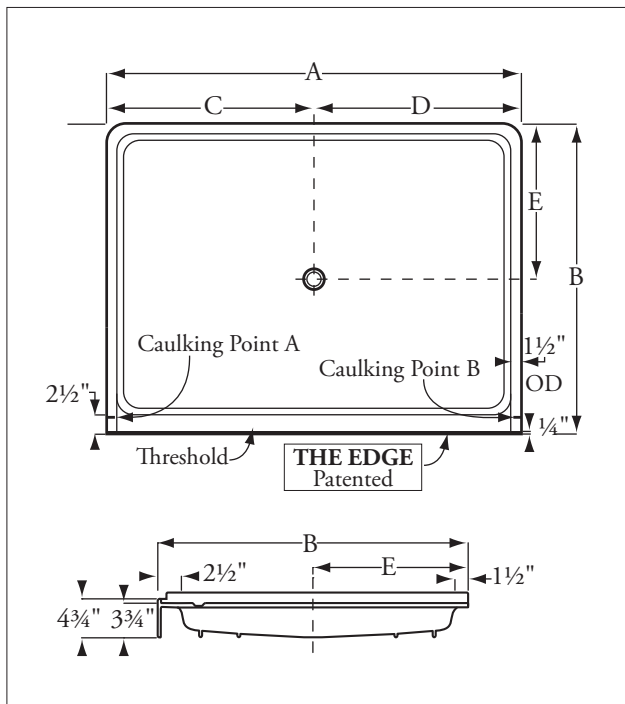




One piece, single threshold model for recessed installation. Features 1" flange on three remaining sides. Center drain.



Model	A	B	C	D	E	WT.
3636F	36"	36"	18"	18"	18"	38
4242F	42"	42"	21"	21"	21"	50
3448F	48"	34"	24"	24"	17"	44
3648F	48"	36"	24"	24"	18"	36
4248F	48"	42"	24"	24"	21"	47
4848F	48"	48"	24"	24"	24"	50
3460F	60"	34"	30"	30"	17"	50
3660F	60"	36"	30"	30"	18"	50
4260F	60"	42"	30"	30"	21"	60

Standards:

I.A.P.M.O. International Association of Plumbing and Mechanical Officials
File No. 0687.
ANSI American National Standards Institute - Specifications Z-124.2.
HUD/FHA National Specifications UN-73.



Floestone Molded Fiberglass Shower Receptors with THE EDGE

Architect's Specifications

Furnish and install molded fiberglass one piece shower unit manufactured by Floestone Products Company. Unit to be manufactured of gel-coated fiberglass meeting Class C Flame Retardance and to be supplied with slip-resistant floor laminated for extra rigidity. Color will be white (unless otherwise specified). Unit to be supplied with a 2" PNC non-caulk drain.

Standard Color: White

Optional Colors

Color matching most major manufacturers' colors are available.

Colors

Standard: White, Bone

Special: Granite (see pg. 12)

**Dimensions may vary ± 1/4" inch.
Please check unit before installation.**

**Place receptor on a minimum 1/4" bed
of mortar or plaster for warranty
compliance.**

**Dimensions subject to
change without notice.
Contact Floestone Products to
verify product specifications.**



FLORESTONE PRODUCTS CO., INC.

2851 Falcon Drive • Madera, CA 93637

T. 559.661.4171 • T. 800.446.8827

F. 559.661.2070 • floestone.com