

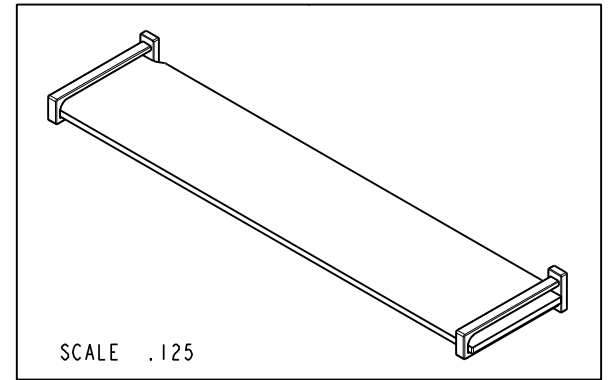
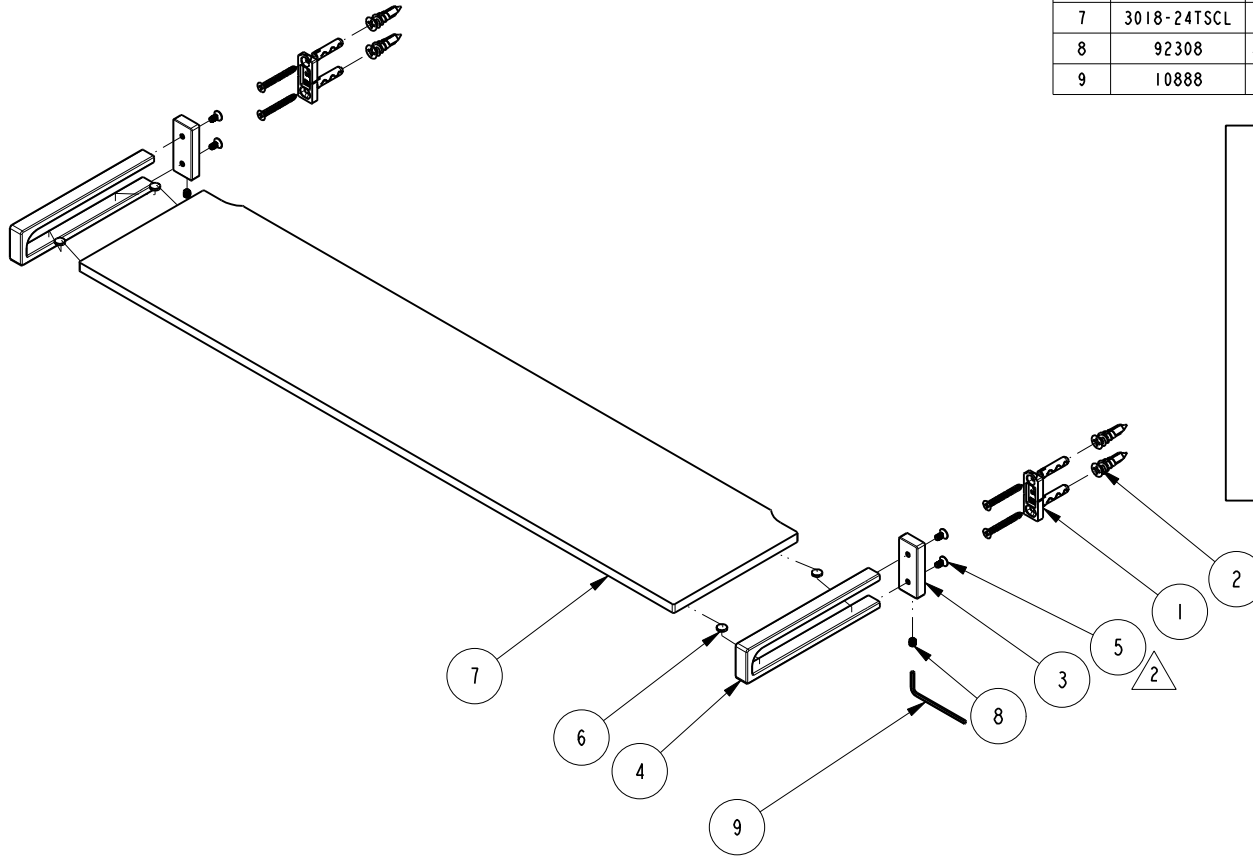
NOTES:

1. TO INSPECT ASSEMBLY, FOLLOW FIRST ARTICLE AND IN PROCESS INSPECTION SHEET.

2. APPLY LOCTITE 680 TO THREADS

BILL OF MATERIAL (CURRENT LEVEL)

ITEM	PT/ASSY	DESCRIPTION	TYPE	QTY.
1	30XX	MOUNTING BRACKET - SHORT	PART	2
2	1-206	HARDWARE PACK	ASSEMBLY	2
3	80775	BACKPLATE	PART	2
4	80443	GLASS SHELF POST	PART	2
5	92938	SCRW, M4 X .7 X 8 SKT FLT HD SS	PART	4
6	91781	SELF ADHESIVE BUMPER	PART	4
7	3018-24TSC	24" SHELF GLASS	PART	1
8	92308	SCRW, M5 X 5 SKT HD CUP PT W/ SELF LOC SS	PART	2
9	10888	HEX KEY, 2.5MM ALLOY STEEL	PART	1



COPYRIGHT 2005 BRASSTECH, INC. THESE DRAWINGS AND THE DESIGNS DEPICTED HEREIN ARE THE PROPRIETARY PROPERTY OF BRASSTECH. ANY USE OR REPRODUCTION IS SUBJECT TO THE EXPRESS APPROVAL OF BRASSTECH. UNAUTHORIZED USE IS STRICTLY PROHIBITED. ALL RIGHTS RESERVED.

TESTING	-	-	-
ASSEMBLY	-	-	-
PLATING	-	-	-
POLISHING	-	NEXT ASSY	USED ON
MACHINING	-	APPLICATION	
TOOLING FIXTURE #	REMOVE ALL BURRS AND SHARP EDGES		

UNITS ARE: INCHES [MM]  
TOLERANCES ARE:  
FRACTIONS DECIMALS ANGLES  
±1/16" .X ±.1 [2.5] ±°  
.XX ±.06 [1.5]

(X.XXX) DENOTES CRITICAL DIMS.  
ALL THREADS ARE CRITICAL

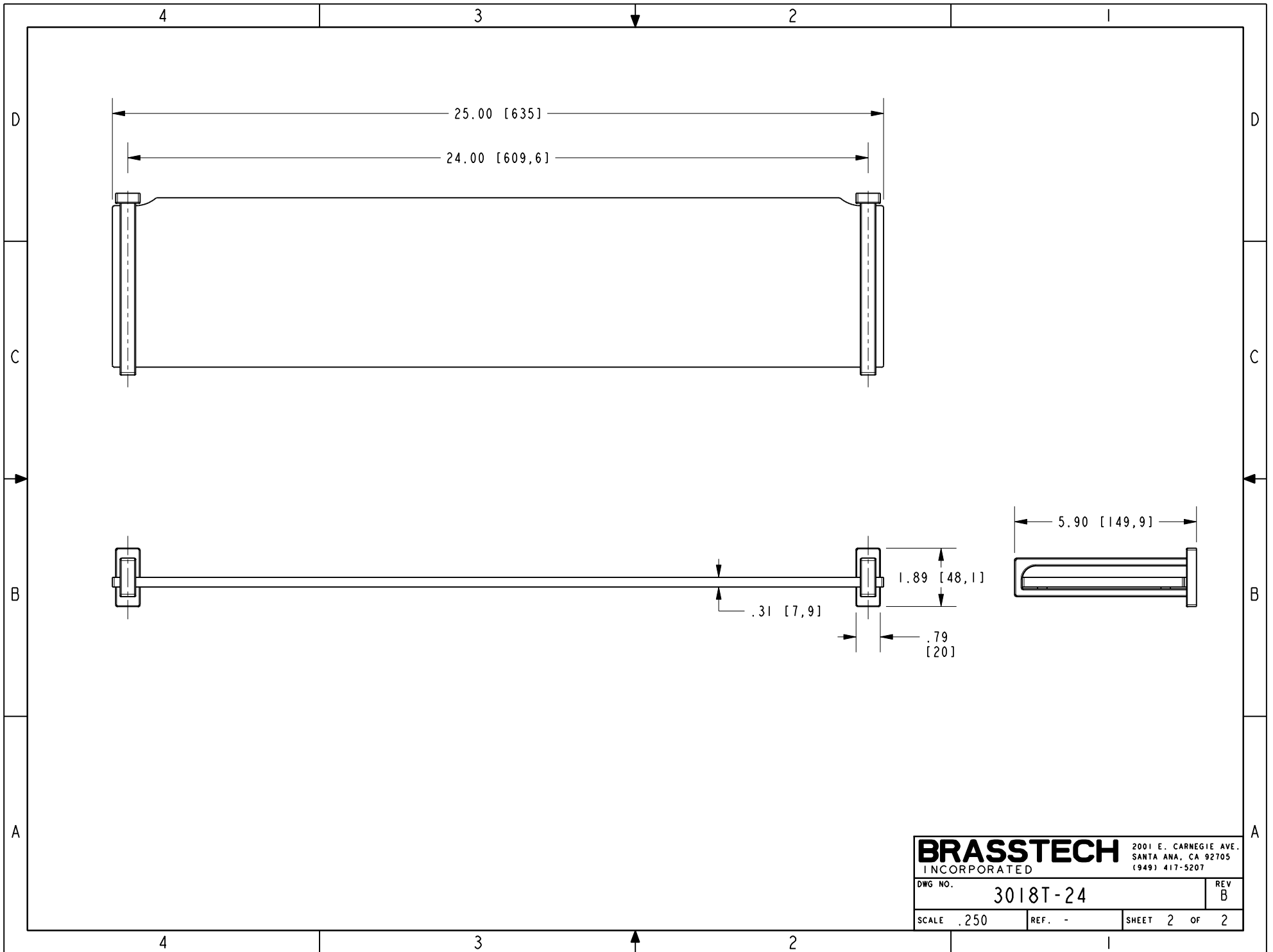
DRAWN JINSON 11/16/21  
CHECKED R.S. 11/16/21  
APPROVED R.S. 11/16/21

**BRASSTECH** 2001 CARNEGIE AVE.  
INCORPORATED SANTA ANA, CA 92705  
(949) 417-5207

24" GLASS SHELF

-	B	EN-4417	11/16/21	R.S.
ZONE	REV	DESCRIPTION	DATE	APPROVED

DWG NO.	3018T-24	REV	B
SCALE	.175	REF.	-
SHEET	1	OF	2



<b>BRASSTECH</b>		2001 E. CARNEGIE AVE.
INCORPORATED		SANTA ANA, CA 92705
		(949) 417-5207
DWG NO.	3018T-24	REV B
SCALE .250	REF. -	SHEET 2 OF 2