



# Z1305

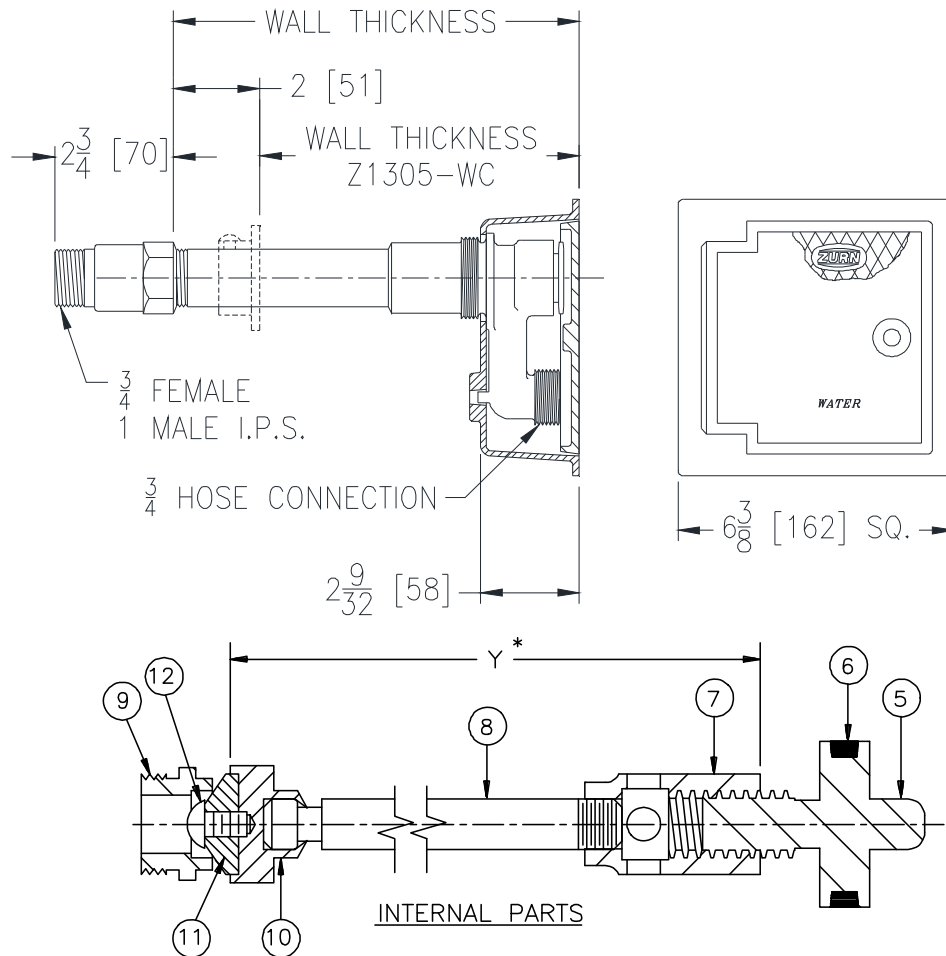
## WALL HYDRANT

### Encased, Non-Freeze

SPECIFICATION SHEET

TAG \_\_\_\_\_

Dimensional Data (inches and [ mm ]) are Subject to Manufacturing Tolerances and Change Without Notice



Wall Thickness Inches [mm]	Approx. Wt. Lbs. [kg]
6, 8 [152, 203]	11 [5]
10, 12, 14 [254, 305, 356]	13 [6]
16 [406]	15 [7]
24 [508]	17 [8]

#### ENGINEERING SPECIFICATION: ZURN Z1305

Encased, non-freeze, flush wall hydrant with bronze casing, all bronze interior parts, non-turning operating rod with free floating compression closure valve, replaceable bronze seat and seat washer, and combination 3/4" female or 1" male straight IP inlet. Nickel bronze box and hinged cover with operating key lock and "WATER" cast on cover.

**OPTIONS** (Check/specify appropriate options)

#### SUFFIXES

- \_\_\_\_ -PB Polished Bronze Face
- \_\_\_\_ -RA4 24 [610] Replacement Rod Assembly
- \_\_\_\_ -RK Hydrant Parts Repair Kit
- \_\_\_\_ -WC Wall Clamp
- \_\_\_\_ -34UN 3/4 [19] IP 90° Inlet Elbow w/Union Nut

#### PARTS LIST

Item	Name	Quan.
5	Operating Screw	1
6	O-Ring	1
7	Operating Coupling	1
8	Operating Rod	1
9	Removable Seat	1
10	Washer Guide	1
11	Washer (neoprene)	1
12	Screw	1

\* Regularly furnished unless otherwise specified.

Zurn Industries, LLC | Specification Drainage Operation  
 1801 Pittsburgh Avenue, Erie, PA U.S.A. 16502 · Ph. 855-663-9876, Fax 814-454-7929  
 In Canada | Zurn Industries Limited  
 3544 Nashua Drive, Mississauga, Ontario L4V 1L2 · Ph. 905-405-8272, Fax 905-405-1292  
[www.zurn.com](http://www.zurn.com)

Rev. H  
 Date: 09/27/2017  
 C.N. No. 137995  
 Prod. | Dwg. No. Z1305