

## BADGER® SERIES

# Badger® 1



### Submittal Sheet

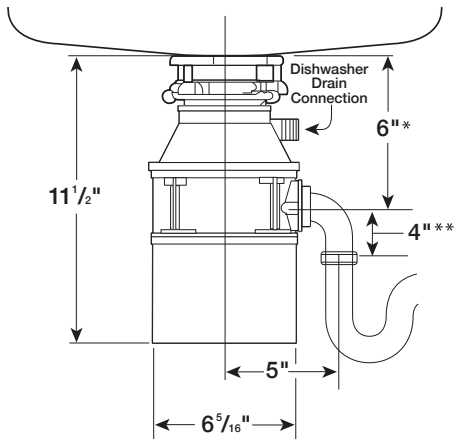
This model offers the following features and benefits:

- 1/3 HP heavy duty Dura-Drive® induction motor
- 1-Stage grind for a dependable grind for most food scraps
- Lift & Latch® Technology simplifies installation so the disposal can be attached with two hands
- Galvanized steel grind components and stainless steel lugs
- 3D Grind Zone is a specially engineered grind chamber that keeps food in the grind zone and directs water to rinse chamber walls

### Specifications

Type of Feed	Continuous
On/Off Control	Wall Switch
Motor	Single Phase
HP	1/3
Volts	120
HZ	60
Amp. (Avg. Load)	5.6
Time Rating	Intermittent
Lubrication	Permanently Lubricated Upper & Lower Bearings
Shipping Weight (Approx.)	12 lbs. 10 oz. (without cord) 12 lbs. 14 oz. (with cord)
Overall Height	11-1/2"
Grind Chamber Capacity	26 oz.
Motor Protection	Manual Reset Overload
Drain Connection	1-1/2" Cushioned Slip Joint
Dishwasher Drain Connection	Yes
Factory Installed Power Cord	Available with or without

### Dimensions



\* Distance from bottom of sink to center line of disposer outlet. Add 1/2" when stainless steel sinks are used.

\*\* Length of tailpipe from center line of disposer outlet to end of tailpipe. NOTE: Plumb waste line to prevent standing water in disposer motor housing.

### Sample Specification

Food Waste Disposer(s) shall be InSinkErator Badger® 1, continuous feed, with 1/3 HP motor, stainless steel grinding elements with two stainless steel 360° swivel lugs. Self-service wrench.

### Warranty

2-Year We Come to You® In-Home Limited Warranty<sup>1</sup>

<sup>1</sup> Visit [www.insinkerator.com](http://www.insinkerator.com) for warranty details.



Food waste is roughly 60-95% water. By using your disposal regularly, you can help divert food waste from landfills and reduce greenhouse gas emissions. Many wastewater treatment plants are capable of converting food waste processed by your garbage disposal into renewable energy and beneficial fertilizer. Make sustainability a family affair by using your disposal. After all, the smallest changes can make the biggest impact.

### Job Specifications



1-800-558-5700  
[www.insinkerator.com](http://www.insinkerator.com)