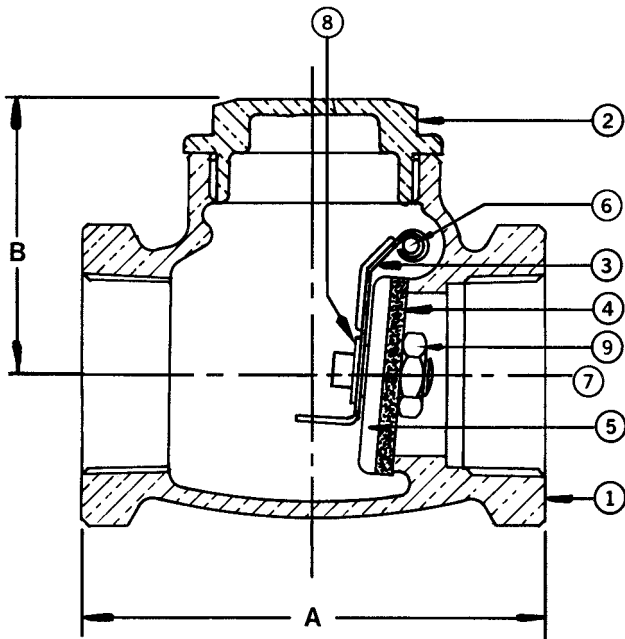


509/509T 1/4"-3"

Bronze Check Valve
125 SWP - 200 WOG †
Horizontal Swing • Threaded Ends
Conforms to: MSS SP-80



DIMENSIONS - INCHES/MILLIMETERS				
Units	Size	A	B	C _v
Inches mm	1/4	2.13 54	1.44 37	3.3
Inches mm	3/8	2.13 54	1.44 37	6.0
Inches mm	1/2	2.31 59	1.44 37	10.0
Inches mm	3/4	2.63 67	1.69 43	18.0
Inches mm	1	3.25 83	2.00 51	31.0
Inches mm	1 1/4	3.56 91	2.13 54	54.0
Inches mm	1 1/2	4.00 102	2.38 60	76.0
Inches mm	2	4.75 130	2.81 208	131.0
Inches mm	*2 1/2	6.00 152	3.63 92	192.0
Inches mm	*3	6.88 175	4.19 106	297.0

† Non-Shock

MATERIAL LIST			
No.	PART	MATERIAL	SPECIFICATION
1	Body	Bronze	ASTM B62
2	Cap	Bronze	ASTM B62
3	Lever	St. Steel-509	Commercial 1/2" to 2" Incl.
		Bronze-509	ASTM B584 2 1/2" and 3"
		Brass-509T	ASTM B16 1/4" to 2" Incl.
4	Disc	Brass-509	ASTM B16 1/4" to 3/4"
			ASTM B453 1" to 1 1/2"
		Bronze-509	ASTM B62 2" to 3"
		PTFE-509T	Commercial
5	Disc Holder (509T Only)	Brass	ASTM B16 1/2" to 3/4"
		Bronze	ASTM B62 1" to 3"
6	Pin	St. Steel	Commercial
7	Disc Nut	Brass	ASTM B16
8	Retaining Ring	St. Steel	Commercial
9	Plug (not shown)	Brass	ASTM B16
10	Washer (not shown)	Brass	ASTM B16

Note: Not intended for use in potable water.

INNOVATION IN EVERY VALVE

The information presented on this sheet is correct at time of publication. Milwaukee Valve reserves the right to change design and/or materials without notice. For our Installation, Operation and Maintenance Manual and the most current product information go to www.milwaukeevalve.com.  State of California Prop 65
WARNING: Cancer and Reproductive Harm. For more information visit www.p65warnings.ca.gov.


MILWAUKEE VALVE