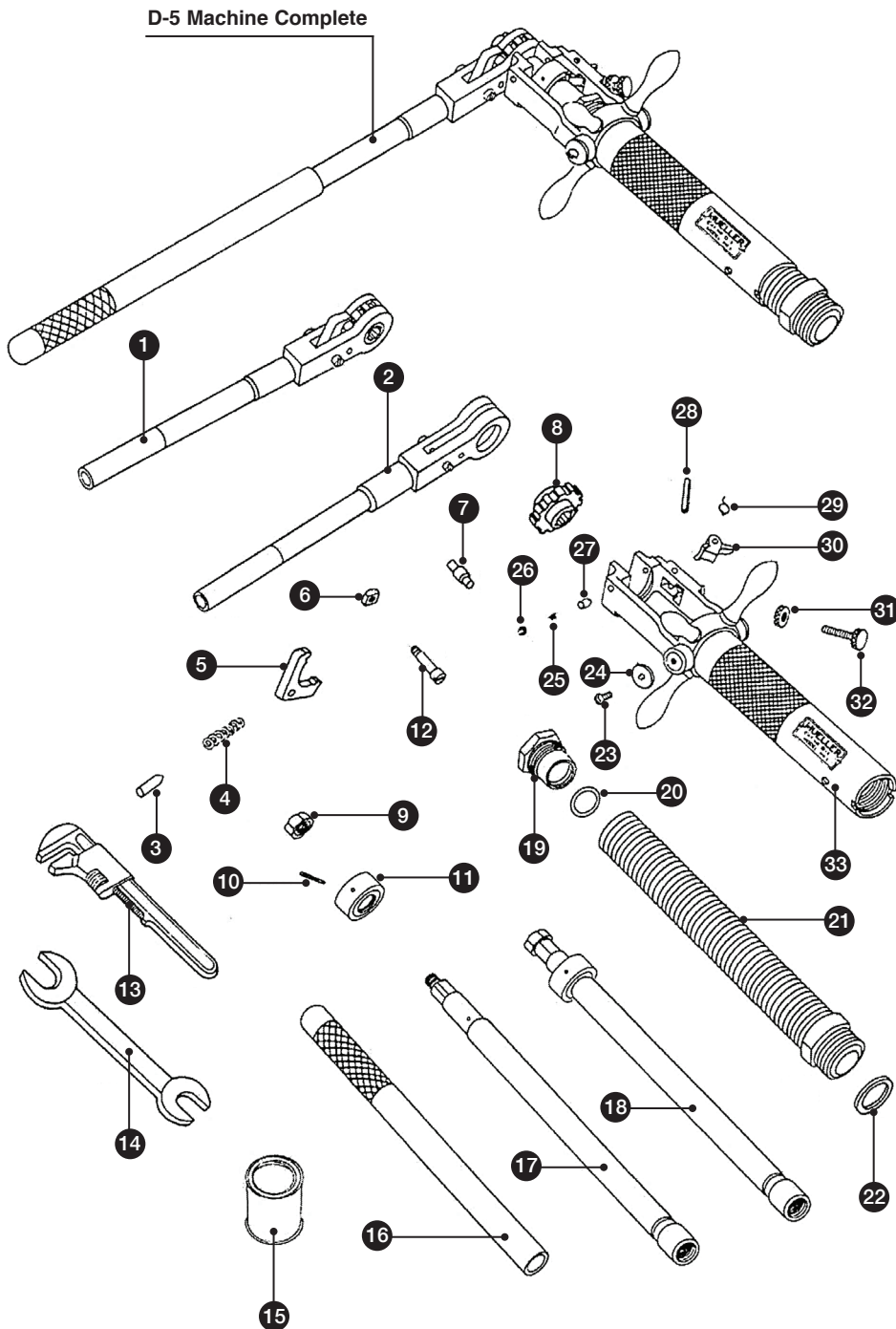


# MUELLER® D-5™ and E-5™ Drilling Machines

## D-5 Parts

### PARTS LIST



ID	PART NAME	PART No.
1	Ratchet Handle	85308
2	Handle Bar	50111
3	Spring Pin	40006
4	Spring	40007
5	Ratchet Dog	40004
6	Nut	45255
7	Stud	40139
8	Ratchet Wheel	40737
9	Retaining Nut	46029
10	Friction Collar Roll Pin	48130
11	Friction Collar	580610
12	Bolt	40138
13	Adjustable Wrench	91664
14	End Wrench	58196
15	Cutting Grease	88366
16	Handle Extension	86391
17	Boring Bar	503141
18	Boring Bar	580945
19	Packing Gland	51377
20	O-Ring	51458
21	Body	36758
22	Body Gasket	33278
23	Retaining Screw (2)	79745
24	Washer (2)	50133
25	Detent Spring (2)	59810
26	Detent Screw (2)	305006
27	Detent (2)	500651
28	Roll Pin	502027
29	Pivot Arm Spring	502026
30	Pivot Arm	502025
31	Lock Nut	502029
32	Operating Screw	502028
33	Feed Tube & Yoke Complete	580946
34	Metal Case (not shown)	580969