

# SPECIFICATIONS

## FIGURE IS4CTC - IS6CTC STAINLESS STEEL FITTINGS



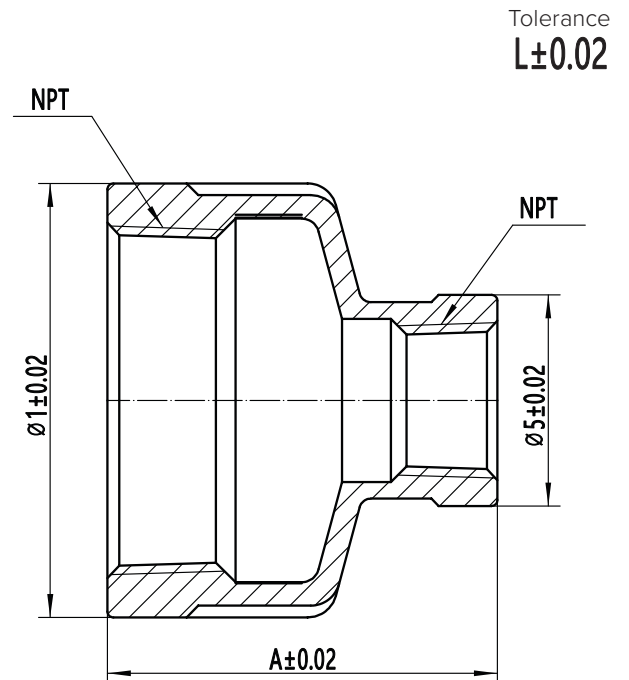
### 304 & 316 STAINLESS STEEL THREADED REDUCING COUPLING

#### PRODUCT SPECIFICATIONS

- The material composition and quality requirements shall comply with ASTM A351/A351M
- Threads should be in accordance with ASME B1.20.1-1983

#### REFERENCE CHART (INCHES)

Item #	Size	A	Ø1	Ø5	Grade
IS4CTCBA	1/4x1/8	1.122	0.787	0.610	304
IS4CTCCA	3/8x1/8	1.614	0.984	0.610	304
IS4CTCCB	3/8x1/4	1.614	0.984	0.787	304
IS4CTCDA	1/2x1/8	1.772	1.181	0.610	304
IS4CTCDB	1/2x1/4	1.772	1.181	0.787	304
IS4CTCDC	1/2x3/8	1.772	1.181	1.004	304
IS4CTCFA	3/4x1/8	1.772	1.378	0.610	304
IS4CTCFB	3/4x1/4	1.772	1.378	0.787	304
IS4CTCFC	3/4x3/8	1.772	1.378	1.004	304
IS4CTCFD	3/4x1/2	1.772	1.378	1.181	304
IS4CTCGA	1x1/8	1.969	1.772	0.610	304
IS4CTCGB	1x1/4	1.969	1.772	0.787	304
IS4CTCGC	1x3/8	1.969	1.772	1.004	304
IS4CTCGD	1x1/2	1.969	1.772	1.181	304
IS4CTCGF	1x3/4	1.969	1.772	1.378	304
IS4CTCHA	1-1/4x1/8	1.929	2.087	-	304
IS4CTCHB	1-1/4x1/4	1.929	2.087	0.787	304
IS4CTCHC	1-1/4x3/8	1.929	2.087	0.984	304
IS4CTCHD	1-1/4x1/2	1.929	2.087	1.181	304
IS4CTCHF	1-1/4x3/4	1.929	2.087	1.417	304
IS4CTCHG	1-1/4x1	1.929	2.087	1.772	304
IS4CTCJB	1-1/2x1/4	2.283	2.362	0.787	304
IS4CTCJC	1-1/2x3/8	2.283	2.362	0.984	304
IS4CTCJD	1-1/2x1/2	2.283	2.362	1.181	304
IS4CTCJF	1-1/2x3/4	2.283	2.362	1.417	304
IS4CTCJG	1-1/2x1	2.283	2.362	1.772	304
IS4CTCJH	1-1/2x1-1/4	2.283	2.362	2.087	304
IS4CTCKB	2x1/4	2.638	2.894	0.787	304
IS4CTCKC	2x3/8	2.638	2.894	0.984	304
IS4CTCKD	2x1/2	2.638	2.894	1.181	304
IS4CTCKF	2x3/4	2.638	2.894	1.417	304
IS4CTCKG	2x1	2.638	2.894	1.752	304
IS4CTCKH	2x1-1/4	2.638	2.894	2.087	304
IS4CTCKJ	2x1-1/2	2.638	2.894	2.362	304
IS4CTCLG	2-1/2x1	2.953	3.524	1.772	304
IS4CTCLH	2-1/2x1-1/4	2.953	3.524	2.087	304
IS4CTCLJ	2-1/2x1-1/2	2.953	3.524	2.362	304
IS4CTCLK	2-1/2x2	2.953	3.524	2.894	304
IS4CTCMJ	3x1-1/2	3.307	4.272	2.362	304
IS4CTCMK	3x2	3.11	4.272	2.894	304
IS4CTCML	3x2-1/2	3.307	4.272	3.563	304
IS4CTCPK	4x2	3.858	5.413	2.894	304
IS4CTCPL	4x2-1/2	3.858	5.413	3.563	304
IS4CTCPM	4x3	3.858	5.413	4.311	304



SPECIFICATIONS

**FIGURE IS4CTC - IS6CTC**  
STAINLESS STEEL FITTINGS



304 & 316 STAINLESS STEEL THREADED REDUCING COUPLING

REFERENCE CHART (INCHES)

Item #	Size	A	Ø1	Ø5	Grade
IS6CTCBA	1/4x1/8	1.122	0.787	0.610	316
IS6CTCCA	3/8x1/8	1.614	0.984	0.610	316
IS6CTCCB	3/8x1/4	1.614	0.984	0.787	316
IS6CTCDA	1/2x1/8	1.772	1.181	0.610	316
IS6CTCDB	1/2x1/4	1.772	1.181	0.787	316
IS6CTCDC	1/2x3/8	1.772	1.181	1.004	316
IS6CTCFA	3/4x1/8	1.772	1.378	0.610	316
IS6CTCFB	3/4x1/4	1.772	1.378	0.787	316
IS6CTCFC	3/4x3/8	1.772	1.378	1.004	316
IS6CTCFD	3/4x1/2	1.772	1.378	1.181	316
IS6CTCGA	1x1/8	1.969	1.772	0.610	316
IS6CTCGB	1x1/4	1.969	1.772	0.787	316
IS6CTCGC	1x3/8	1.969	1.772	1.004	316
IS6CTCGD	1x1/2	1.969	1.772	1.181	316
IS6CTCGF	1x3/4	1.969	1.772	1.378	316
IS6CTCHD	1-1/4x1/2	1.929	2.087	1.181	316
IS6CTCHF	1-1/4x3/4	1.929	2.087	1.417	316
IS6CTCHG	1-1/4x1	1.929	2.087	1.772	316
IS6CTCJB	1-1/2x1/4	2.283	2.362	0.787	316
IS6CTCJC	1-1/2x3/8	2.283	2.362	0.984	316
IS6CTCJD	1-1/2x1/2	2.283	2.362	1.181	316
IS6CTCJF	1-1/2x3/4	2.283	2.362	1.417	316
IS6CTCJG	1-1/2x1	2.283	2.362	1.772	316
IS6CTCJH	1-1/2x1-1/4	2.283	2.362	2.087	316
IS6CTCKD	2x1/2	2.638	2.894	1.181	316
IS6CTCKF	2x3/4	2.638	2.894	1.417	316
IS6CTCKG	2x1	2.638	2.894	1.752	316
IS6CTCKH	2x1-1/4	2.638	2.894	2.087	316
IS6CTCKJ	2x1-1/2	2.638	2.894	2.362	316
IS6CTCLG	2-1/2x1	2.953	3.524	1.772	316
IS6CTCLJ	2-1/2x1-1/2	2.953	3.524	2.362	316
IS6CTCLK	2-1/2x2	2.953	3.524	2.894	316
IS6CTCMK	3x2	3.11	4.272	2.894	316
IS6CTCML	3x2-1/2	3.307	4.272	3.563	316

