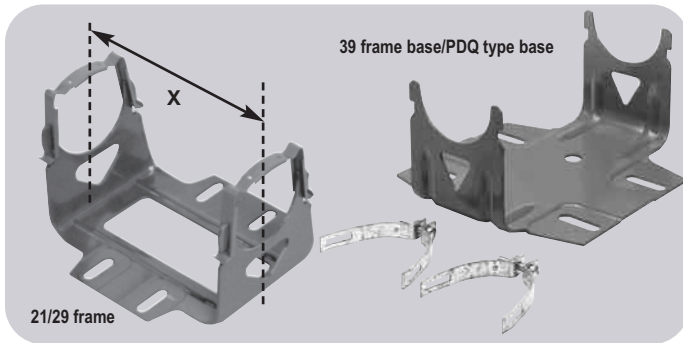


### Motor Mounting Bases

Designed for use with GE motors.  
Bases include clips.



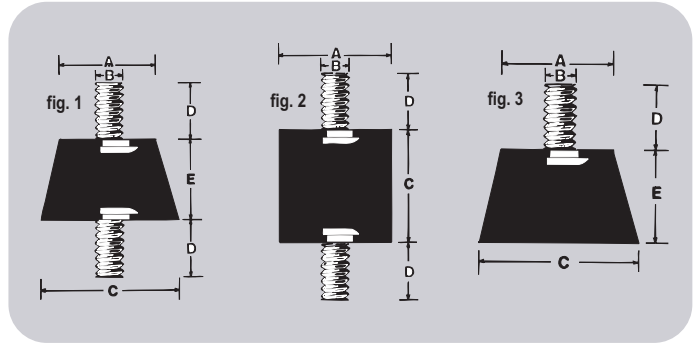
### Mounting Bases

MARS NO.	FOR USE ON	GE NO.	SHAFT HEIGHT	X DIMENSION
08052	39 frame motors	-	3-1/2	4.13
08053	39 frame motors	920AB3	3-1/2	4.23/4.39
08054	39 frame motors	920AB4	3-1/2	4.48/4.64
08055	39 frame motors	920AB5	3-1/2	4.73/4.89
08056	39 frame motors	920AB6	3-1/2	4.98/5.14
08057	39 frame motors	920AB7	3-1/2	5.23/5.39
08058	39 frame motors	920AB8	3-1/2	5.48/5.64
08059	39 frame motors	920AB9	3-1/2	6.48/6.64
08060	39 frame motors	920AB10	3-1/2	5.98/6.14

### Mounting Accessories

MARS NO.	USED ON	DESCRIPTION	PAK QUAN
08096	39 frame	clips for 39 frame motor bases	2 pieces
08103	21/29 and 39 frame motors	2-1/2 in. unbonded resilient ring	2 pieces
08031	21/29 and 39 frame motors	split rings to convert 2-1/4 in. to 2-1/2 in. rings	4 pieces
08105	21/29 and 39 frame motors	2-1/4 in. bonded resilient ring	2 pieces

### Vibration Insulators



MARS NO.	MFR. NO.	DIMENSIONS					THD.	MAX. LOAD IN POUNDS		FIG. NO.
		A	B	C	D	E		COMPRESSION	SHEAR	
07801	K30	1-3/16	5/16	1-5/8	5/8	1-1/2	18	60	-	1
07802	K33	1-3/8	5/16	1-5/8	5/8	1.0	18	100	-	1
07804	K44	1.0	5/16	1.0	5/8	-	18	40	10	2
07805	K47	1.0	1/4	3/4	1/2	-	20	50	10	2
07807	K133	1-3/8	5/16	1-5/8	5/8	1.0	18	100	-	3

### Plastic Rain Shields



MARS NO.	DESCRIPTION	MARS PACK
93581	6-3/4 in. diameter for motors with 1/2 in. diameter shaft	1 piece
93582	6-3/4 in. diameter for motors with 5/8 in. diameter shaft	1 piece