

PF435

Steam Radiator Valve - Straight



Product Features

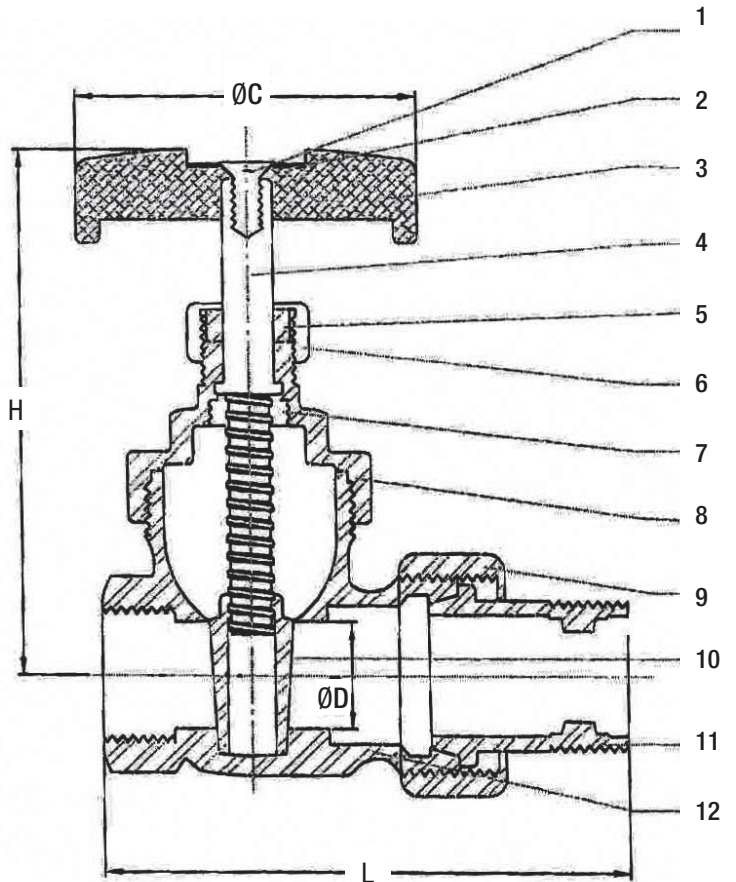
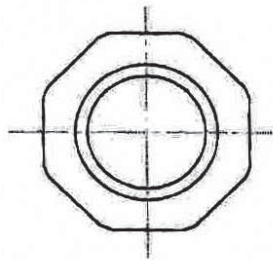
- For use on heating applications
- Working pressure: 15 PSI WSP
- 60 PSI Hotwater, non-shock
- Threads comply with ANSI B1.20.1
- Includes nut and tailpiece
- FIP x MIP connection



PF435F

	Size	L		H		ØC		ØD	
		in	mm	in	mm	in	mm	in	mm
PF435F	3/4"	3.54	90	3.62	92	2.28	58	0.75	19

No.	Part Name	Material	Spec. ASTM
1	Screw	Brass	B16
2	Name Plate	Aluminum	
3	Hand Wheel	Plastic	
4	Stem	Brass	B16
5	Gland	Teflon	
6	Packing Nut	Brass	B16
7	Lock Nut	Brass	B16
8	Bonnet	Bronze	B584-C84400
9	Nut	Bronze	B584-C84400
10	Disc	Bronze	B584-C84400
11	Tailpiece	Forged Brass	B124-C37700
12	Body	Bronze	B584-C84400



Warranty and Codes

This PROFLO product carries a 1-year limited warranty. This product meets ANSI: B 1.20.1