

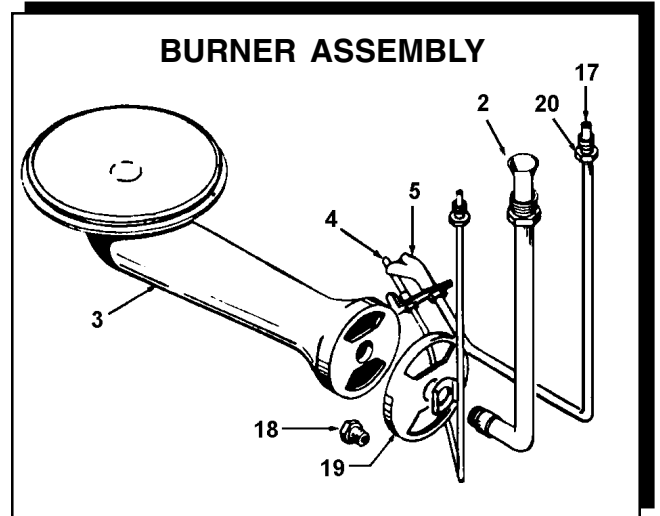
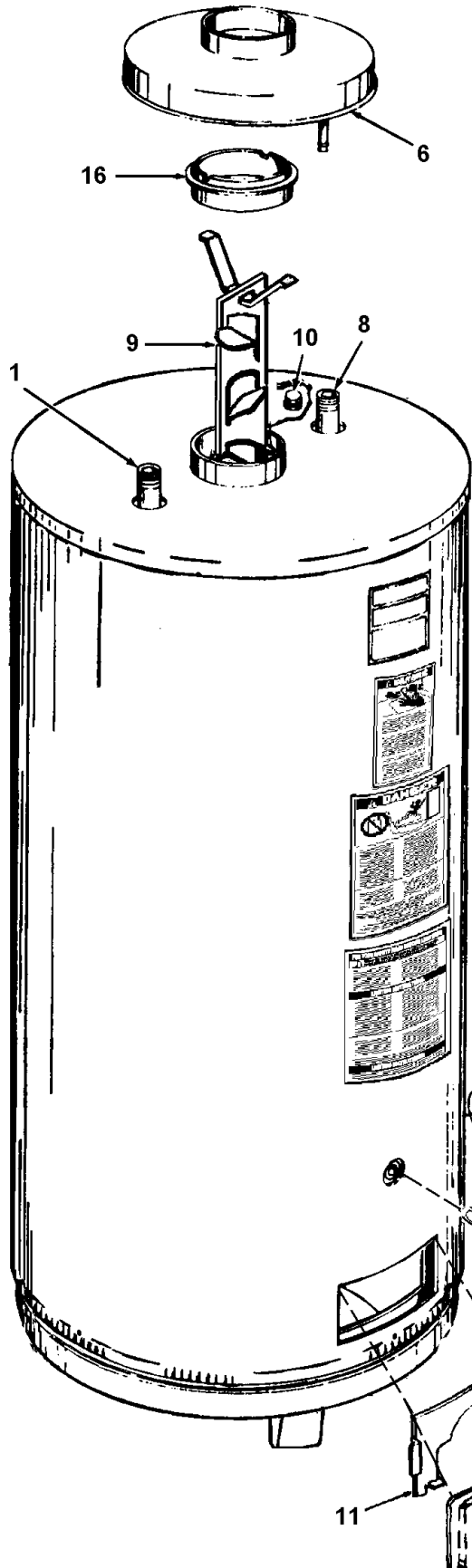
A. O. SMITH

WATER PRODUCTS COMPANY

PSD-1-290

GAS

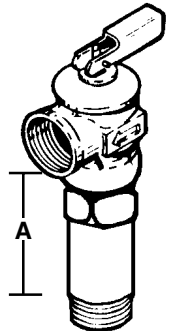
**RESIDENTIAL WATER HEATERS
REPLACEMENT PARTS LIST**
MODELS: PGC/FCG/FGR/FSG 75/100
SERIES: 242 - 243



3/4" T&P RELIEF VALVE

AUTOMATIC, SELF-CLOSING TYPES

PART NUMBER	PRESS	A =	TEMP RELIEF
43151-2	150 LBS.	1 7/8"	210°



14

Item	Qty.	Description	PGC/FCG/FSG	PGC/FCG/FSG	PGC/FCG/FSG	PGC/FCG/FSG	FGR	FGR
			75	75	100	100	75	75
			Natural	Propane	Natural	Propane	Natural	Propane
1	1	Pipe Nipple	43879-1	43879-1	41319	41319	43879-1	43879-1
2	1	Burner Tube	<u>39114-1</u>	<u>39114-1</u>	<u>39114-1</u>	<u>39114-1</u>	<u>39114-1</u>	<u>39114-1</u>
3	1	Cast Iron Burner	41157-7	41157-7	41157-8	41157-8	41157-8	41157-8
4	1	Thermocouple	<u>23675</u>	<u>23675</u>	<u>23675</u>	<u>23675</u>	<u>23675</u>	<u>23675</u>
5	1	Pilot	<u>160228</u>	<u>160228-1</u>	<u>160228</u>	<u>160228-1</u>	<u>160228</u>	<u>160228-1</u>
6	1	Draft Hood	39072-200	39072-200	39072-200	39072-200	39072-200	39072-200
*7	3	Draft Hood Brace	194309	194309	194309	194309	194309	194309
8	1	Inlet Tube	183512	183512	183513	183513	183512	183512
9	4	Flue Baffle Ass'y	194332-1	194332-1	194332-1	194332-1	194332-1	194332-1
10	1	Anode Rod	43817-42	43817-42	43817-50	43817-50	43817-38	43817-38
11	1	Inner Door	39923	39923	39923	39923	39923	39923
12	1	Outer Door	39112-701	39112-701	39112-701	39112-701	39112-701	39112-701
13	1	Thermostat	<u>180193-5</u>	<u>182792-2</u>	<u>180193-5</u>	<u>182792-2</u>	<u>182791-3</u>	<u>182792-3</u>
14	1	T & P Relief Valve	<u>43151-2</u>	<u>43151-2</u>	<u>43151-2</u>	<u>43151-2</u>	<u>43151-2</u>	<u>43151-2</u>
15	1	Drain Valve	<u>26273-7</u>	<u>26273-7</u>	<u>26273-7</u>	<u>26273-7</u>	<u>26273-6</u>	<u>26273-6</u>
16	1	Flue Reducer	35405	35405	35405	35405	35405	35405
17	1	Pilot Tube	<u>1417-60</u>	<u>1417-60</u>	<u>1417-60</u>	<u>1417-60</u>	<u>1417-60</u>	<u>1417-60</u>
18	1	Orifice	29366-23	181778-38	29366-23	181778-38	29366-23	181778-38
19	1	Air Shutter	35376-1	Not used	35376-1	Not used	35376-1	Not used
*20	1	Fitting Breakaway	32365	32365	32365	32365	32365	32365
*21	1	Manual	183519	183519	183519	183519	183519	183519

* Not Illustrated

Part numbers underlined are recommended stock items.



A.O. SMITH
WATER PRODUCTS
COMPANY

A.O. SMITH WATER PRODUCTS CO., INC.
5621 W. 115TH STREET • ALSIP, ILLINOIS 60803
PHONE: 1-800-433-2545 • FAX: 1-800-433-2515
Website: www.hotwater.com • EMAIL: parts@hotwater.com