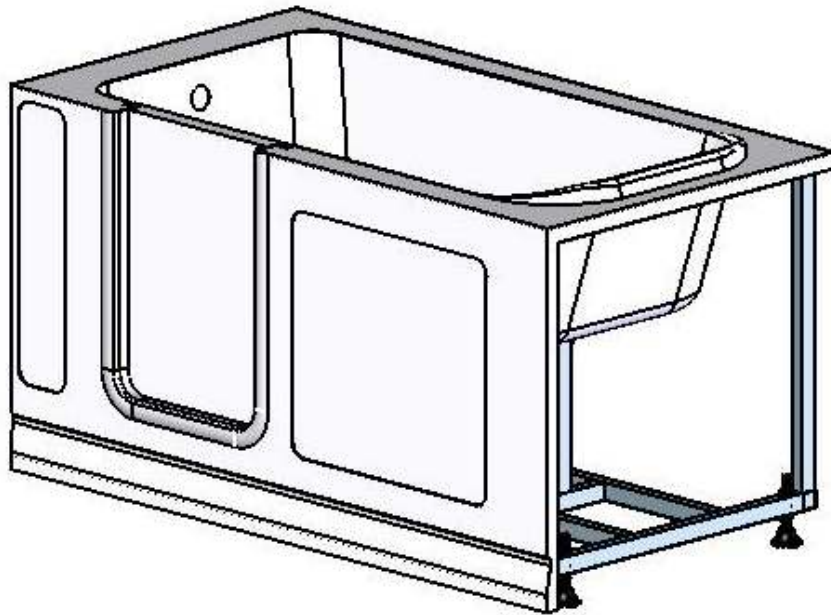




SAFETY TUBS[®]

INDEPENDENCE. SAFETY. COMFORT. CONVENIENCE.

OWNER'S MANUAL





INDEPENDENCE. SAFETY. COMFORT. CONVENIENCE.

CONGRATULATIONS!

You are now the owner of the world's best walk-in bathtub from the inventor and manufacturer of acrylic walk-in bathtubs.

We thank you for your purchase. Your Safety Tub® is a true investment in your health and peace of mind.

10700 Sikes Place, Suite 385, Charlotte, NC 28277

Customer Support: (877) 304-2800 Fax: (267) 295-1028

info@safetytubs.com • www.safetytubs.com

TABLE OF CONTENTS

UNPACKING THE UNIT.....Page 3

RESPONSIBILITIES OF THE INSTALLER.....Page 4

SAFETY INSTRUCTIONSPage 5 - 6

TESTING YOUR TUB.....Page 7

INSTALLATION.....Page 8 – 10

INSTALLATION DETAILS.....Page 11-13

OPERATING INSTRUCTIONS.....Page 14-15

CLEANING AND USER MAINTENANCE.....Page 16

WARRANTY.....Page 17

UNPACKING THE UNIT

1. **FIRST**, inspect the carton for damage: Take a picture if possible. **CAREFULLY RECORD ALL PERCEIVED DAMAGE** or incorrect quantity for claim against carrier and call us at 877-304-2800.
2. **NEVER LIFT THE TUB BY THE PLUMBING**. Doing so can result in leaks, for which the installer is responsible. All Safety Tubs are water tested and left our dock in perfect condition.
3. Immediately inspect the unit for damage even if there is no carton damage. Once the unit is installed, surface damages will be assumed to be installation-related if not reported at this point. Installers are also responsible for damage that occurs once the unit is placed in its niche.
4. Inspect the plumbing for any fittings that may have loosened in transit.

NOTE: Remove all packaging material except for the protective plastic. This has been placed on the tub at the factory to eliminate abrasions from handling. This should only be removed at final clean up.

READ THE FOLLOWING INSTRUCTIONS COMPLETELY BEFORE INSTALLING THIS PRODUCT. IF THE HOMEOWNER OR INSTALLER HAS ANY QUESTIONS, PLEASE CALL US. 877-304-2800.

YOU MUST FOLLOW ALL INSTRUCTIONS IN THIS MANUAL.

FAILURE TO READ AND COMPLY WITH ALL INSTRUCTIONS CAN RESULT IN PRODUCT DAMAGE OR INJURY TO BOTH INSTALLER AND HOMEOWNER. IT WILL ALSO RESULT IN ASSUMPTION OF ALL LIABILITY BY SAID INSTALLER.

GENERAL INFORMATION

RESPONSIBILITIES OF THE INSTALLER

THE INSTALLER MUST INSPECT AND WATER-TEST THE PRODUCT PRIOR TO INSTALLATION TO ENSURE THE UNIT IS FREE OF DEFECT OR DAMAGE. IN THE EVENT OF A PROBLEM, THE UNIT MUST NOT BE INSTALLED. IF THE PACKAGING OR PRODUCT HAS BEEN DAMAGED, PLEASE CALL IMMEDIATELY. 877-304-2800

THIS PRODUCT HAS BEEN APPROVED BY INTERTEK AND UL AND COMPLIES WITH MANY NATIONALLY RECOGNIZED STANDARDS SUCH AS: ANSI Z124.1-9, UL 1795 AND CSA C22.2. THE INSTALLER IS RESPONSIBLE FOR ANY LOCAL CODES THAT MAY APPLY.

THIS PRODUCT IS DESIGNED TO BE INSTALLED BY A LICENSED TRADESPERSON. LICENSED PLUMBERS AND ELECTRICIANS SHOULD BE EMPLOYED TO INSURE PROPER INSTALLATION. INSTALLERS ASSUME ALL LIABILITY FOR THE CORRECT INSTALLATION PROCEDURES.

ALTHOUGH SAFETY TUBS HAS TAKEN REASONABLE PRECAUTIONS TO ENSURE THAT MINUTE DRAIN™ IS SUITABLE FOR RESIDENTIAL PLUMBING, IT IS THE RESPONSIBILITY OF THE INSTALLER TO INSURE THAT THE PLUMBING IS ACCEPTABLE FOR USE OF THE MINUTE DRAIN™. SAFETY TUBS DOES NOT ACCEPT RESPONSIBILITY FOR DAMAGE ARISING FROM USE OF THE MINUTE DRAIN™.

ONLY ACCESSORIES AUTHORIZED BY THE MANUFACTURER SHOULD BE USED WITH THIS PRODUCT.

IMPORTANT SAFETY INSTRUCTIONS:

WARNING! ALL INSTRUCTIONS LISTED IN THIS MANUAL SHOULD BE READ AND FOLLOWED CAREFULLY. ALL PRECAUTIONS PERTAINING TO RISK OF FIRE, ELECTRIC SHOCK, OR INJURY TO PERSONS MUST BE UNDERSTOOD AND EXPLAINED TO OWNER.

TO REDUCE THE RISK OF INJURY, CHILDREN OR PERSONS WITH INFIRMITIES MUST NOT BE PERMITTED TO USE THIS PRODUCT WITHOUT CLOSE AND CONTINUOUS SUPERVISION.

SAFETY INSTRUCTIONS

INSTRUCTIONS PERTAINING TO A RISK OF FIRE, ELECTRIC SHOCK OR INJURY TO PERSONS.

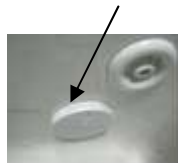
SAVE THESE INSTRUCTIONS

WARNING – WHEN USING THIS UNIT, BASIC PRECAUTIONS SHOULD BE FOLLOWED, INCLUDING THE FOLLOWING:

-
- USE ONLY ATTACHMENTS RECOMMENDED BY THE MANUFACTURER. THIS UNIT IS TO BE USED ONLY FOR ITS INTENDED PURPOSE AS DESCRIBED IN THIS MANUAL.
-
- RISK OF HYPERTHERMIA AND POSSIBLE DROWNING: WATER TEMPERATURES IN EXCESS OF 100° F (38° C) MAY BE HAZARDOUS TO YOUR HEALTH. CHECK AND ADJUST TEMPERATURE BEFORE USE.
-
- RISK OF HYPOTHERMIA AND POSSIBLE DROWNING: EVEN WITH A MAINTENANCE HEATER IN USE, WATER TEMPERATURE DECLINES STEADILY OVER TIME. REMAINING IN TEPID WATER FOR EXTENDED AMOUNTS OF TIME IS HAZARDOUS TO YOUR HEALTH. LIMIT YOUR BATH TIME TO ENSURE YOUR SAFETY.
-

READ AND FOLLOW ALL INSTRUCTIONS

- DANGER: To reduce the risk of injury, do not permit children or persons with infirmities to use this product unless they are closely supervised at all times.
- To avoid injury, exercise caution when entering or exiting the Safety Tub®
- Never drop or insert any objects into any openings.
- Risk of electrical shock; connect only to a separate circuit protected by a ground fault circuit interrupter (GFCI).
- Do not operate this unit without the guard over the suction fittings.



SAFETY INSTRUCTIONS

- **WARNING:** Risk of electric shock; do not permit electric appliances (such as a hair dryer, lamp, telephone, radio or television) within four feet of this bathtub.
- The unit must be connected only to a supply circuit that is protected by a ground-fault circuit-interrupter (GFCI). Such a GFCI should be provided by the installer and should be tested on a routine basis. To test the GFCI, push the test button. The GFCI should interrupt power. Push the reset button. Power should be restored. If the GFCI fails to operate in this manner, the GFCI should interrupt power without the test button being pushed there is a ground current flowing, indicating the possibility of an electric shock, do not use this hydromassage bathtub. Disconnect the hydromassage bathtub and have the problem corrected by a qualified service representative before using.
- The textured floor of the tub must remain clean at all times to minimize slippage. Additional slip-resistant surface materials can be found at local department stores.
- Avoid the use of alcohol, prescription and over-the-counter medications, herbal remedies, and sleep aids prior to and during the use your Safety Tub®
- Consult your physician before using the whirlpool and/or air massage system. New and preexisting conditions, known and unknown, may render its use inappropriate for some, such as pregnant women or those with certain heart conditions.
- All units must be fully water-tested by the installer before installation.

INSTRUCTIONS PERTAINING TO A RISK OF FIRE, ELECTRIC SHOCK OR INJURY TO PERSONS.

SAVE THESE INSTRUCTIONS

TESTING YOUR SAFETY TUB BEFORE INSTALLATION

1. All Safety Tubs are 100% water tested at the factory and certified to be free of leaks. Transportation and mishandling may cause leaks. It is therefore necessary to test the bathtub while there is access to all sides of the bath.
2. This unit should be both static and operationally tested with water. It is best to test the unit outside by filling with a garden hose.
 - a. Place the tub on a completely flat surface in an area where it may be drained after testing.
 - b. Using a clean rag and warm water wipe down seal to insure its free of debris
 - c. Seal the drain hole (this can be done with tape) and fill the tub to at least three inches above the highest jet, or to the bottom of the safety bar if no jets are present.
 - d. Allow the water to stand in tub for 10 minutes and then inspect all plumbing and seals for leaks.
 - e. Using appropriately rated three-prong extension cords, all plugged in to separate outlets, operate all electrical components (air blower, water pump, and heater if applicable) for another 10 minutes and inspect for leaks again. Inspect the unions around the pump and heater.
 - f. If a leak persists at a union after tightening, it may have been over-tightened or might have a displaced O-ring. Disassemble it and make sure the O-ring was seated properly. Do the same if a leak persists at the heater. Verify that the heater threads match the pipe threads.
 - g. Ensure that all jets are open and working (every hydro jet is adjustable for both flow rate and direction of flow. For some jets, the water flow is adjusted by turning either the outside ring or the inside nozzle clockwise or counterclockwise). The small jets are not adjustable at the jet but can be adjusted by the pump speed or legs only massage.

NOTE: If the pump/blower/heater does not operate:

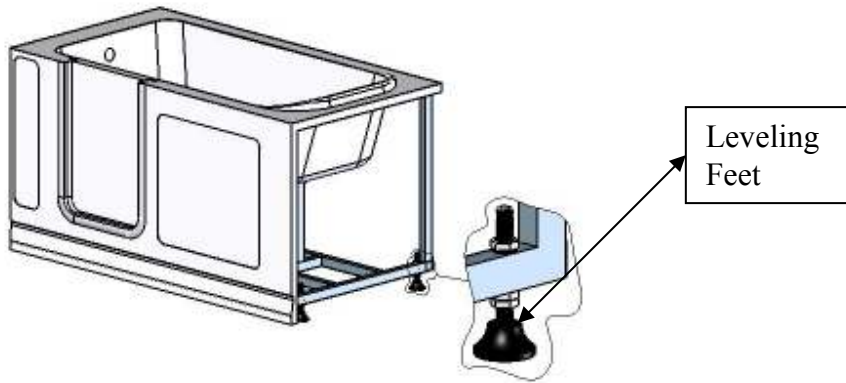
- a. Check the breaker to ensure that power is on and make sure that any cables connecting the control box to the switches and pumps are firmly attached. Check outlet for current by plugging in a light or hair dryer.
- b. Insure the pump/blower is plugged into the control box and the control box is plugged into wall.
- c. If an optional heater is present, check the indicator light on the top of its housing. This light will only come on **while the pump is running**. The heater is dormant when no water flows.

Do not run any pumps unless the tub is filled with water to the proper level. Damage due to dry operation of pumps is not covered under the 5-year warranty.

Failure to perform these tests before installation will make the installer liable for future repair costs.

INSTALLATION PREPARATION

1. Check the floor area where the tub is to be installed.
 - a. Clean area of any debris or trash.
 - b. Use a 5 or 6-foot level and determine if the floor is level. If the floor is not level, adjust all 5 leveling feet to perfectly level the tub. **Note: it is important that all 5 leveling feet are completely touching the floor and level for the door system to work properly.**



2. Check to ensure that the drain piping has been “roughed-in” at the proper location. See specification sheets (installation detail), included in this manual.
3. Ensure that the proper electrical service has been installed at the pump location. See electrical requirements in the manual.

ELECTRICAL REQUIREMENTS

All equipment utilized on these baths require individual dedicated electrical service for each component. Each of the following services require a dedicated 20 amp, 115 volt circuit that is GFCI protected.

1. Hydro Jet Massage™ Systems require one 20 amp, 115 volt circuit that is GFCI protected.
2. Hydro Air Massage™ Systems require one 20 amp, 115 volt circuit that is GFCI protected.
3. Dual Massage™ Systems requires two dedicated electrical 20 amp, 115 volt, GFCI circuits for the pump and blower.

THE IN-LINE HEATER REQUIRES ITS OWN DEDICATED 20 AMP, 115 VOLT GFCI PROTECTED CIRCUIT.

ELECTRICAL INSTALLATION

All electrical connections must be carried out by a certified electrician in accordance with local electrical requirements and codes.

INSTALLATION PROCEDURES

WARNING: When installing jet massage baths, air massage baths, or dual massage baths, the following precautions **MUST** be followed:

- **Danger:** Risk of electrical shock; connect components to separate circuits, EACH protected by a ground fault circuit interrupter (GFCI)
 - Installation must provide access for servicing the pump and motor (all Safety Tubs® come with access panels for the pump, motor and faucet).
-

1. Install tub waste/overflow according to instructions included with the provided kits. Some installations will require the purchase of additional fittings.
2. Install faucet. If spout and supply lines are to be installed on deck of tub, carefully mark their locations and drill ¼" pilot holes from acrylic side of product. Using properly sized hole saws, drill spout, hand shower, diverter and supply lines from acrylic side of the product.

NOTE: do not drill a hole in the deck directly above the overflow. Position the diverter slightly to one side to clear the waste/overflow fitting. "Dry-fitting" the top portion of the overflow will make this crystal clear. The handle sequence is generally: "Hot, Cold, Diverter, Spout and Handheld". It is recommended that the handheld be installed on the corner closest to the wall to prevent water from leaking off the deck and onto the floor.

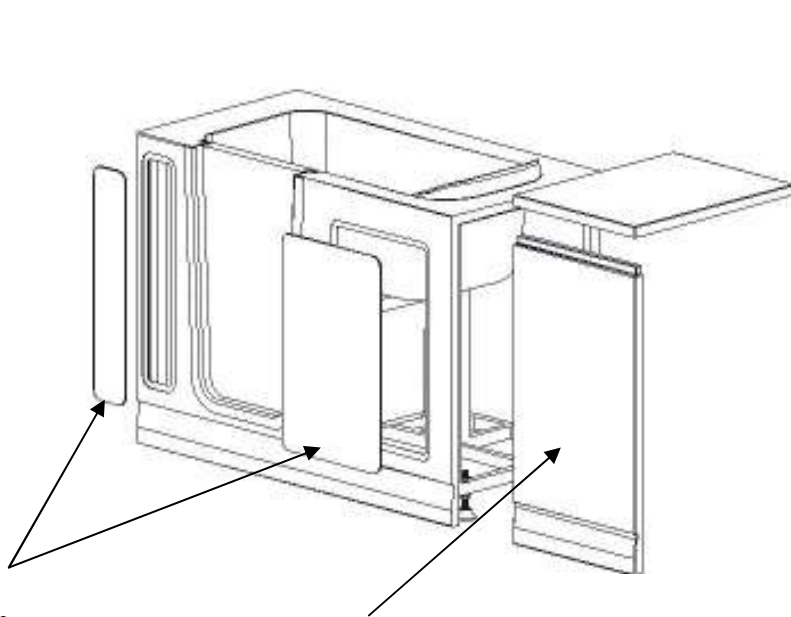
3. Install the optional in-line water heater per manufacturer's instructions.
4. Standard installation - After framing is complete (see attached diagrams), set product in place to check fit and make certain that the tub can be properly leveled. (Caution: if the bathtub is not resting on all five leveling feet, water will not drain properly and this may cause the door to leak). Secure tub frame to the studs using metal straps.

WARNING: Never allow the weight of the tub to be supported by wood support stringers and **do not use tile flange on the 60x32 to screw or nail in place**, as this will result in product failure and will void the warranty.

5. Verify the product is completely level by checking tub deck surface and ensure all 5 leveling feet are touching the ground.
6. Electrical connection is made by simply plugging each cord into its own dedicated 115V, 20A, GFCI outlet.
7. After plumbing and electrical connections have been made, the tub should be cleaned of dirt and debris.

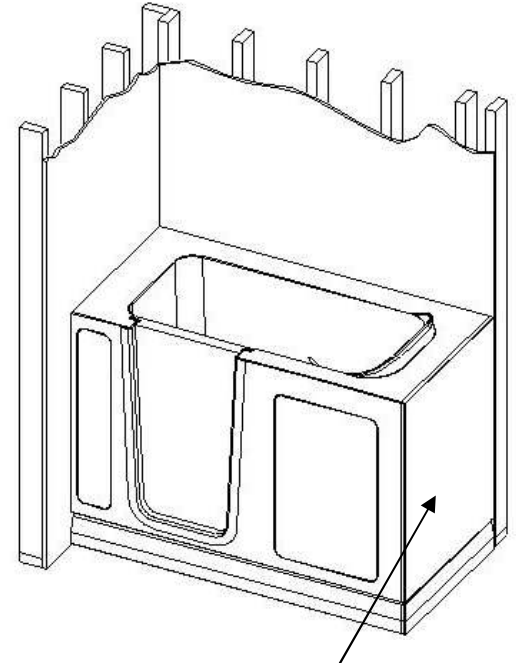
8. Installation is not complete until the bathtub has been water-tested in place and does not leak.

INSTALLATION DETAILS FOR ST5126

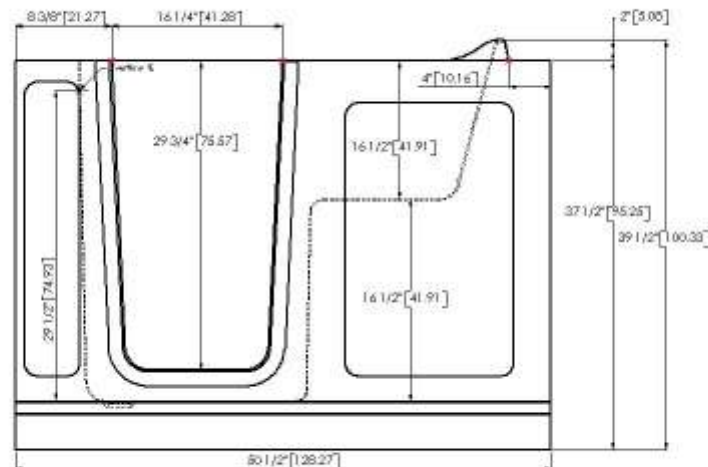
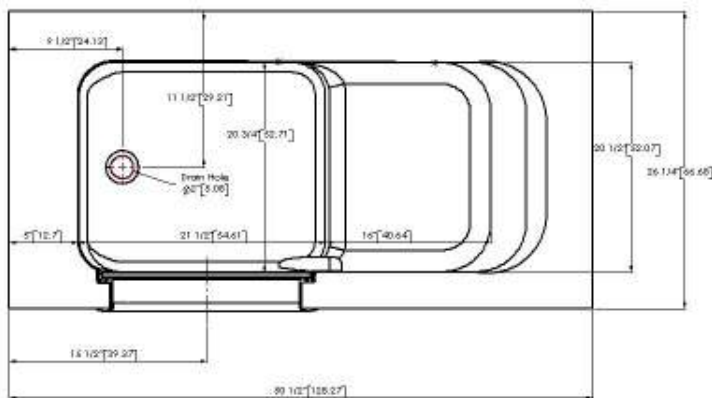
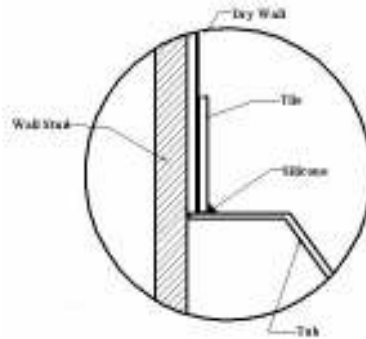


Faucet/Pump
Access Panels

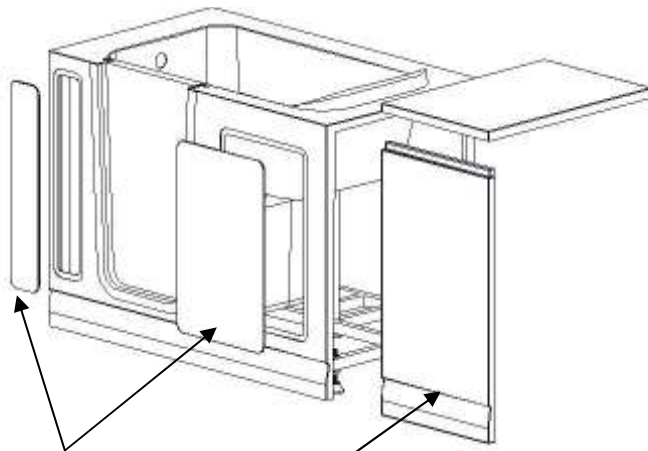
Optional Extension
Kit



Optional End Panel

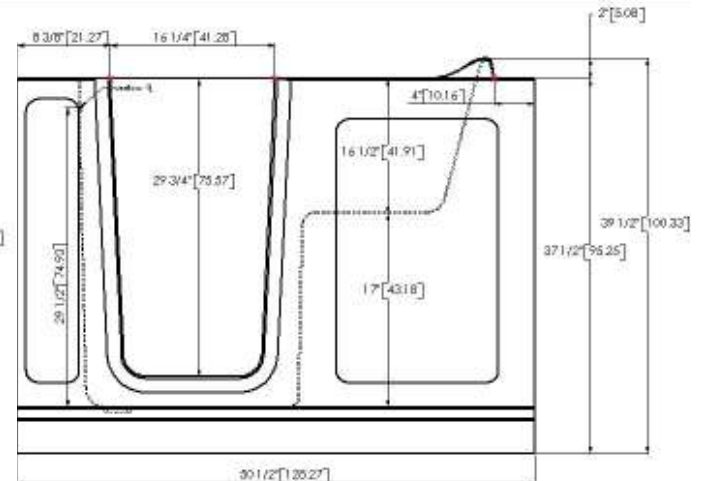
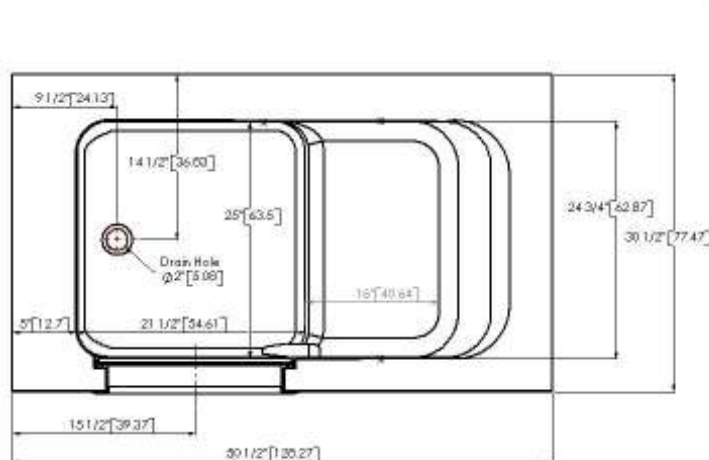
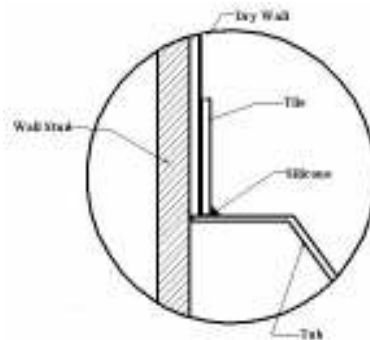
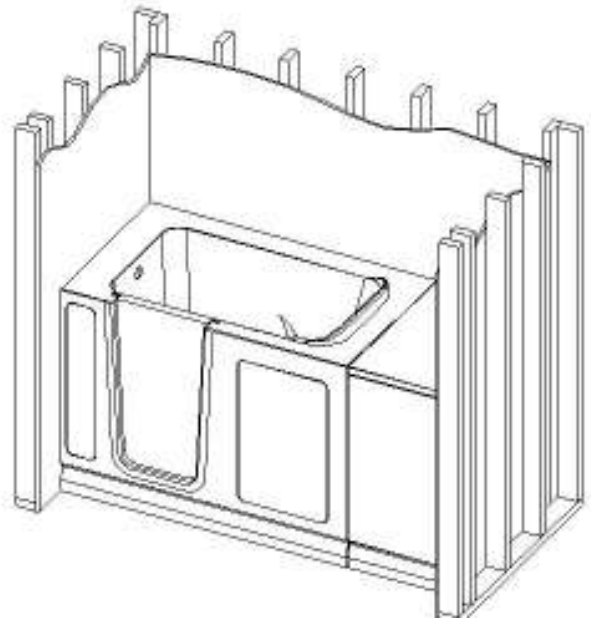


INSTALLATION DETAILS FOR ST5130

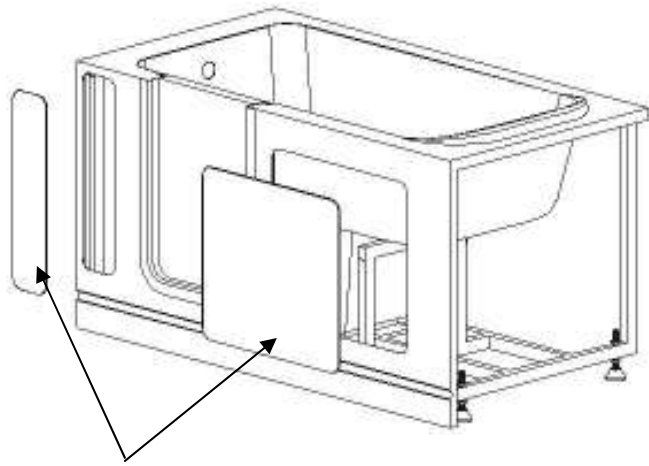


Faucet/Pump
Access Panels

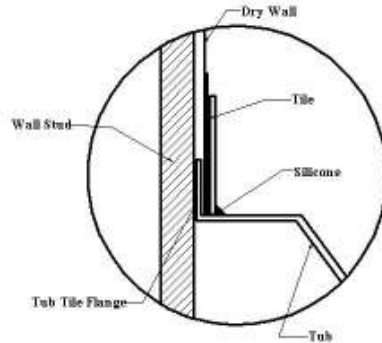
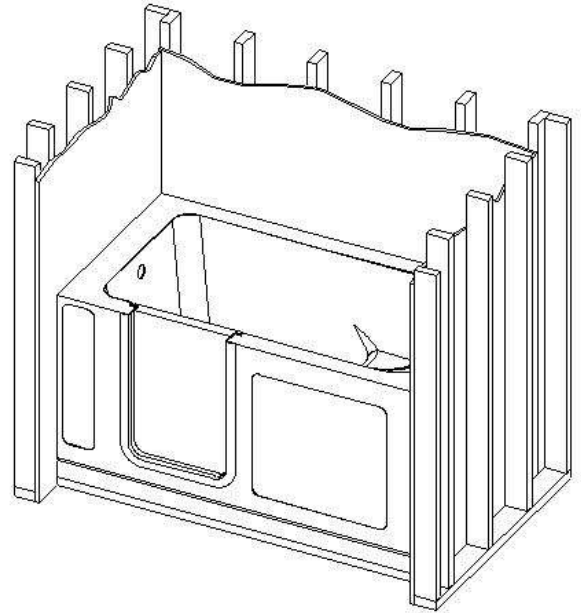
Optional Extension
Kit



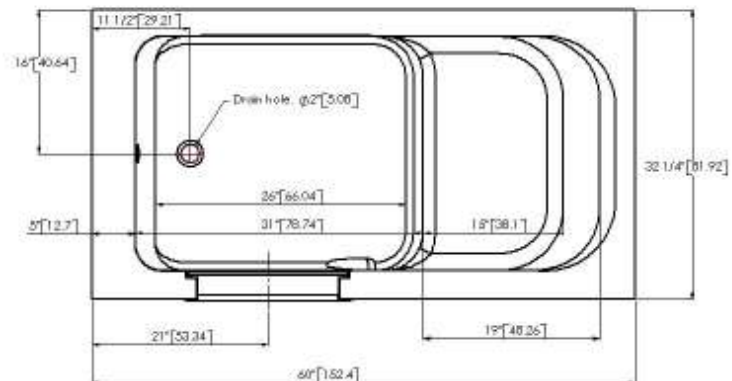
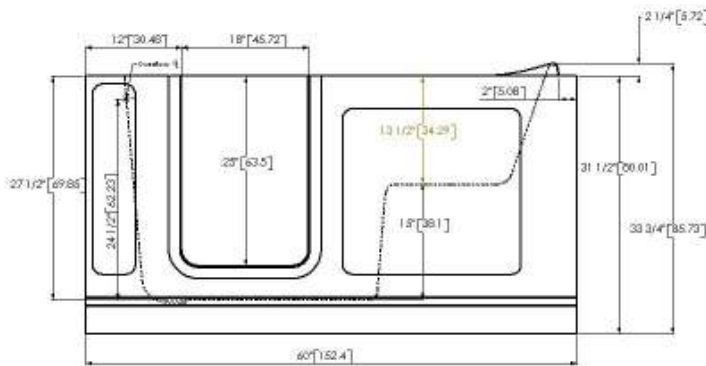
INSTALLATION DETAILS FOR ST6032



Faucet/Pump
Access Panels



IMPORTANT
Do not use tile flange to
screw or nail tub in place.



OPERATING INSTRUCTIONS

OPERATING INSTRUCTIONS

1. Enter the Safety Tub®, close the door, place handle in down position, and fill the bath to at least to 3 inches above the highest jet before activating the pump. Do not put weight on the door when entering and exiting the tub. It is recommended to leave the door in the open position when the tub is not in use.
2. The pump will be operated by the on/off switch. Both the number of buttons and their assorted functions vary. Do not depress the button(s) repeatedly and/or rapidly as all function(s) are controlled electronically. It may take a few seconds before any change becomes perceptible. Refer to massage instructions sheet for more information on the controls.
3. Adjust the direction and rate of flow of the calf and foot jets to your liking by moving the nozzle for direction and turning either the outside ring or the nozzle clockwise or counterclockwise for flow (some jets adjust the flow with the outside ring and some with the nozzle). Adjust the flow off all jets by using the Hi-Med-Low switch which varies the speed of the pump or adjust the flow of the jets above the seat with the legs only massage handle mounted on the sidewall of the tub.
4. The Legs Only Massage (jet systems only) opens and closes all jets above the seat which allows you to fill the Safety Tub up to the seat for a quick legs only massage. The Legs Only Massage valve must be closed when filling the tub half way for a quick legs only massage. Failure to close the valve, when filling the tub half-way will result in water shooting out of the back and thigh jets when the pump is activated.
5. If your Safety Tub® is equipped with an in-line heater, the heating element will come on automatically, but only when the whirlpool system is turned on. This heater is designed to extend the comfortable bathing time, but does not reheat the bath water.
6. If your Safety Tub® is equipped the Ozone self cleaning system, the system will come on automatically, but only when the whirlpool system is turned on. This system includes one micro jet located in the well of the tub marked Ozone. The Ozone jet also functions as a normal massage jet.
7. If your Safety Tub® is equipped the Minute Drain™, this system has its own dedicated, pump, suction and switch to activate the drain. Simply open the traditional drain system (turn the overflow) and then press the Minute Drain on/off switch to activate the drain. When the water falls below the suction guard (shown on page 5), press the on/off switch to turn the drain system off.
8. If your Safety Tub® is equipped with Aromatherapy, the system is tied into the air or whirlpool plumbing. The Aromatherapy system will come on automatically when the whirlpool system (air system if air only) is activated. The fragrance is distributed through the jets in your Safety Tub. Fragrances can be replenished at local department stores.
9. If your Safety Tub® is equipped with Chromatherapy lights, the lights have its own dedicated switch to turn the lights on and off. Pressing the switch off and back on will change the color of light.

OPERATING INSTRUCTIONS

- 10.If any factory-installed fittings have been removed, do not operate the unit. A safety hazard may have been created by this modification. Seek the help of a qualified professional.
- 11.Do not use bubble bath or Epsom salts when any pumps are operating. Bath oils may be used; however, their frequent use will require more frequent purging and cleaning of the jet and/or air massage systems.
- 12.Both jet and air systems are plumbed so that water will drain from the plumbing after each use.
- 13.There are no user-serviceable parts located under the tub.

PURGE CYCLE

All air blowers are equipped with a purge cycle to remove residual water from the lines. The cycle will begin approximately 20 minutes after the unit is turned off and will continue for several minutes. Do not be alarmed when the cycle begins.

IN-LINE HEATERS

If your bathtub is equipped with an optional in-line heater it will operate only when the pump is on. It is always on when the whirlpool pump is on. Note: the in-line heater is designed to keep your water warmer longer but is not designed to increase the water temperature. Heat settings are not adjustable.

CLEANING AND MAINTENANCE

Pump and pipe circulation systems should be flushed before first use and on a monthly basis when product is under normal use. Below are the recommended procedures for cleaning:

- **Do not run whirlpool dry.** Fill the tub with hot water 2-3 inches above the jets and add 2-3 teaspoons of low foaming detergent such as dishwashing machine detergent.
- Turn on whirlpool system and run for 10 minutes.
- Drain tub completely.
- Fill tub with cold water above jets.
- Turn on whirlpool system and run for 15 minutes.
- Drain tub completely.
- Cleaning the “suction cover”: Clean and remove any hair or lint from the suction cover. On a monthly basis, unscrew the suction cover and clean away any hair, lint or debris from the cover and housing, then remount the cover in place. Some suction covers are not designed to be removed; only suction covers that have screws on the cover, visible from the inside of the tub, can be removed. **Never operate the unit with the safety suction cover off.**

Do not use abrasive cleaners as they will scratch and dull the surface of the acrylic. Use a non-abrasive cleaner of your choice to clean surface of tub.

Plaster can be removed using a wooden STICK. **DO NOT USE METAL SCRAPERS, WIRE BRUSHES, WATER BARRIER WALLBOARD OR OTHER HARSH ABRASIVE TOOLS.**

Usually a mild detergent will remove construction debris. More stubborn debris may be removed with denatured alcohol, or Clorox Soft Scrub® cleaner.

Light scratches and dulled areas may be restored to original luster by rubbing with an automotive type cleaning compound such as DuPont White Polishing Compound®.

LIMITED WARRANTY COVERAGE

All items manufactured by Safety Tubs® are warranted in accordance with the following warranty:

This warranty is extended to the first purchaser and does not extend to products previously used as display models or products that have been modified or repaired by anyone else but Safety Tubs® unless approved by Safety Tubs®. Safety Tubs® walk-in bathtubs come with a five year warranty on the walk-in bathtub and components, a one year warranty on fixtures and a lifetime warranty on the door seal.

WARRANTY LIMITATIONS

In the event of a defect in the material or workmanship of a product, defective products will be repaired or replaced by Safety Tubs®. Safety Tubs® shall not be liable for the expense of removing defective products or installing replacement products or the expense of adjoining components such as tile, marble, wall panels, ceilings etc. No liability shall exist for incidental or consequential damages caused in whole or part by any defect in Safety Tubs® products. No warranty, expressed or implied, including any warranty of merchantability or fitness for a particular purpose, shall apply after the warranty period described above. This warranty does not cover defects or damage caused by the common carrier or installer from, without limitation, any of the following: careless handling, lifting bathtubs by the piping, modification of the product for any reason, improper installation (including installation not in accordance with instructions provided with the unit), and acts of God.

RETURN POLICY

Safety Tubs is committed to providing premium customer service. In the event that a product must be returned due to reasons other than defects, as mentioned in the warranty, the following procedures apply:

Requests for returns and/or exchanges must be made within 30 days of receipt of product. The product must be in its original packaging and received at Safety Tubs in saleable condition. All returns will receive a 15% restocking fee plus all freight costs of the original shipment and return shipment to Safety Tubs.

All requests for return must first be approved by Safety Tubs and have an assigned RMA#.