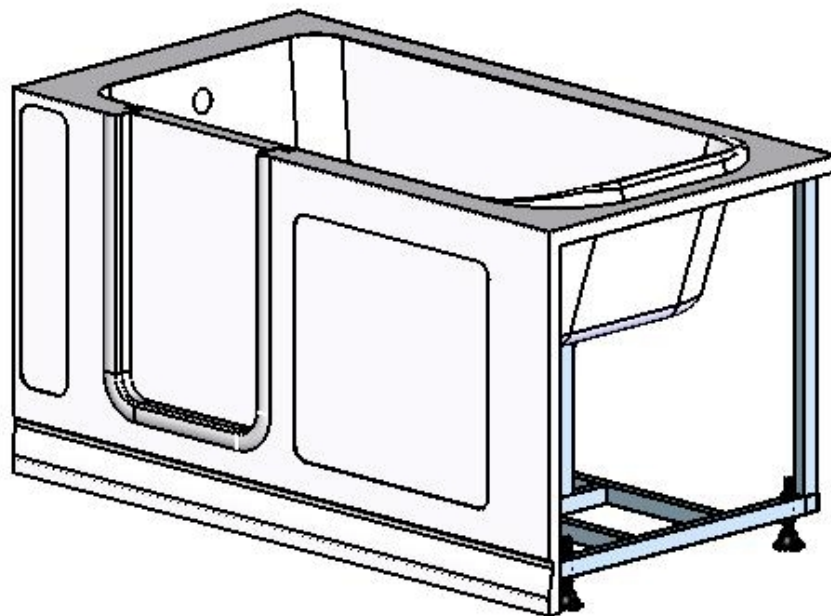




SAFETY TUBS®

INDEPENDENCE. SAFETY. COMFORT. CONVENIENCE.

OWNER'S MANUAL





INDEPENDENCE. SAFETY. COMFORT. CONVENIENCE.

CONGRATULATIONS!

You are now the owner of the world's best walk-in bathtub.

We thank you for your purchase. Your Safety Tubs® is a true investment in your health and peace of mind.

5970 Southwest 18TH Street, Suite 124, Boca Raton, FL 33433

Customer Support: (877) 304-2800 Fax: (267) 295-8633

info@safetytubs.com • www.safetytubs.com

TABLE OF CONTENTS

GENERAL INFORMATION.....Page 4

SAFETY INSTRUCTIONS.....Page 5

GETTING STARTED.....Page 6-7

ELECTRICAL INSTALLATION.....Page 8

INSTALLATION.....Page 9-12

OPERATING INSTRUCTIONS.....Page 13

CARE AND MAINTENANCE.....Page 14

WARRANTY.....Page 15

SAVE THIS MANUAL: RETAIN FOR CONSUMER USE

READ THESE INSTRUCTIONS COMPLETELY BEFORE INSTALLING THE PRODUCT: IF YOU HAVE ANY QUESTIONS CALL 1-877-304-2800.

YOU MUST FOLLOW ALL INSTRUCTION IN THIS MANUAL: FAILURE TO DO SO WILL RESULT IN YOUR ASSUMPTION OF LIABILITY THAT MAY OCCUR. FAILURE TO COMPLY WITH ALL INSTRUCTIONS CAN RESULT IN PRODUCT AND PERSONAL INJURY.

RESPONSIBILITY OF THE INSTALLER

THE INSTALLER MUST INSPECT AND WATER TEST THE PRODUCT PRIOR TO INSTALLATION TO ENSURE THE UNIT IS FREE OF DEFECT OR DAMAGE. IN THE EVENT OF A PROBLEM, THE UNIT MUST NOT BE INSTALLED. IF THE CRATE OR PRODUCT HAS BEEN DAMAGED PLEASE CALL IMMEDIATELY. 877-304-2800

THIS PRODUCT COMPLIES WITH MANY NATIONALLY RECOGNIZED STANDARDS SUCH AS: ANSI Z124.1-9, ASMEA112, IAPMO AND UL 1795. YOU ARE RESPONSIBLE FOR ANY LOCAL CODES THAT MAY APPLY.

THIS PRODUCT IS DESIGNED TO BE INSTALLED BY A LICENSED TRADESPERSON. LICENSED PLUMBERS AND ELECTRICIANS SHOULD BE EMPLOYED TO INSURE PROPER INSTALLTION. INSTALLERS ASSUME ALL LIABILITY FOR THE CORRECT INSTALLATION PROCEDURES.

ONLY ACCESSORIES AUTHORIZED BY THE MANUFACTURER SHOULD BE USED WITH THIS PRODUCT.

IMPORTANT SAFETY INSTRUCTIONS:

WARNING! WHEN USING THIS PRODUCT, BASIC PRECAUTIONS SHOULD ALWAYS BE FOLLOWED. READ AND FOLLOW ALL INSTRUCTIONS PERTAINING TO RISK OF FIRE, ELECTRIC SHOCK, OR INJURY TO PERSONS

DANGER: TO REDUCE THE RISK OF INJURY, DO NOT PERMIT CHILDREN TO USE THIS PRODUCT UNLESS THEY ARE CLOSELY SUPERVISED AT ALL TIMES.

IMPORTANT SAFETY INSTRUCTIONS:

WARNING!

-
- USE THIS UNIT ONLY FOR ITS INTENDED PURPOSES OR AS DESCRIBED IN THIS MANUAL. USE ONLY ATTACHMENTS RECOMMENDED BY THE MANUFACTURER.
 - RISK OF HYPERTHERMIA AND POSSIBLE DROWNING. WATER TEMPERATURE IN EXCESS OF 100° F (38°) MAY BE INJURIOUS TO YOUR HEALTH. CHECK AND ADJUST TEMPERATURE BEFORE USE.
-

Read And Follow All Instructions

- **DANGER:** To reduce the risk of injury, do not permit children or persons with infirmities to use this product unless they are closely supervised at all times.
- To avoid injury, exercise care when entering or exiting the Safety Tub®
- Never drop or insert any objects into any openings.
- Risk of electrical shock; connect only to a separate circuit protected by a ground fault circuit interrupter (GFCI).
- The unit must be connected to a circuit interrupter (GFCI). Such a circuit is provided by the installer and should be tested on a routine basis. To test the GFCI push the test button; the GFCI should interrupt power. Push the RESET button; power should be restored. If the GFCI fails to operate in this manner, there is a ground current flowing, indicating the possibility of an electrical shock. Do not use this unit. Disconnect the unit and have the problem corrected by a qualified service representative before using.
- Traction enhanced-textured tub bottom must remain clean to minimize slippage.
- Risk of electrical shock; all pumps and heaters must be connected to a ground fault circuit interrupter (GFCI) protected outlets.
- Avoid use of alcohol, drugs, or medication while using your Safety Tubs®
- Consult your physician before using the whirlpool/air system if you are pregnant and/or have heart conditions.
- All units must be water tested before installation.

UNPACKING THE UNIT

1. Inspect the carton, if carton damage is noted: take a picture if possible, notify the deliverer and call 877-304-2800.
2. NEVER LIFT THE TUB BY THE PLUMBING. Doing so can result in leaks, for which the installer is responsible.
3. Immediately inspect the unit for damage even if there is no carton damage. Once the unit is installed surface damages will be assumed to be installation related if not reported at this point. Installers are responsible for damage that occurs once the unit is placed in its niche.
4. Inspect the plumbing for any loose fittings.
5. Remove all packaging material except for the protective plastic. This has been placed on the tub at the factory to eliminate abrasions from handling. This should only be removed at final clean up.

TESTING YOUR SAFETY TUB BEFORE INSTALLATION

1. All Safety Tubs are 100% water tested at the factory and certified to be free of leaks. Transportation and mis-handling may cause leaks. It is necessary to test the bath while there is access to all sides of the bath.
2. This unit should be both static and operationally tested with water. It is best to test the unit outside by filling with a garden hose.
 - a. Place the tub on a completely flat surface in an area where it may be drained after testing.
 - b. Seal the drain (can be sealed with tape for test) and fill the tub three inches above the jets or to a normal level if it's a soaking tub.
 - c. Allow the water to stand in tub for 10 minutes and then inspect all plumbing and seals for leaks.
 - d. Using an extension cord, operate each pump (air and hydro system if applicable) for 10 minutes and inspect for leaks. Inspect the unions around the pump; if leaks persist from the unions after tightening; loosen the unions and insure that the O-ring is seated properly.
 - e. Insure all jets are open and working (every hydro jet is adjustable for both flow rate and direction of flow, depending on the jet, the water flow is adjusted by either turning the outside ring or the nozzle clockwise and counter clockwise).

NOTE: If the pumps do not operate:

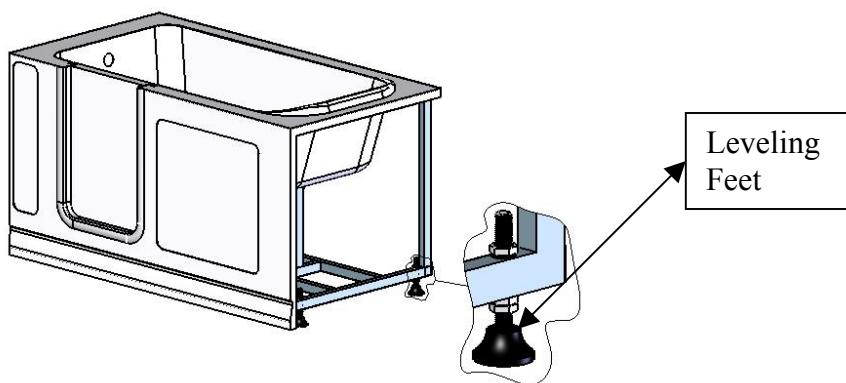
- a. Check the breaker to insure power is on and the cable connecting the controls to the pump is attached.
- b. If an optional heater is present, check the indicator light on the heater to insure that power is present.

Do not run any pumps or heaters unless the tub is filled with water to proper level. Damage due to dry running pumps is not covered under 5 year warranty.

Failure to perform these tests before installation will make the installer liable for future repair costs.

INSTALLATION PREPERATION

1. Check the floor area where the tub is to be installed.
 - a. Clean area of any debris or trash.
 - b. Use a 5 or 6-foot level and determine if the floor is level. If the floor is not level, adjust all 5 leveling feet to perfectly level the tub. **Note: it is important that all 5 leveling feet are completely touching the floor and level for the door system to work properly.**



2. Check to insure that the drain rough has been placed at the proper location. See spec sheets attached for your unit.
3. Insure that the proper electrical service has been installed at the pump location. See electrical requirements below.

ELECTRICAL REQUIREMENTS

Equipment utilized on these baths requires individual dedicated electrical service for each product. Each service must be a dedicated 20 amp, 115 volt service that is GFCI protected.

1. Hydro Jet Massage™ Systems require one 20 amp, 115 volt service that is GFCI protected.
2. Hydro Air Massage™ Systems require one 20 amp, 115 volt service that is GFCI protected.
3. Dual Massage™ Systems require two dedicated electrical 20 amp, 120 volt, GFCI circuits for the pump and blower.

IN LINE HEATERS ALWAYS REQUIRE ITS OWN DEDICATED 20 AMP, 115 VOLT GFCI PROTECTED CIRCUIT.

ELECTRICAL INSTALLATION

All electrical connections must be carried out by a certified electrician in accordance with local electrical requirements and codes.

INSTALLATION PROCEDURES:

WARNING: When installing jet massage baths, air massage baths, or dual massage baths, basic precautions should be followed, including the following:

-
- **Danger:** Risk of electrical shock. Connect only to a separate circuit protected by a ground fault circuit interrupter (GFCI)
 - Installation must provide access for servicing pump/motor (all Safety Tubs come with an access panel for the pump/motor and faucet).
-

1. Install tub waste/overflow according to instructions provided with fitting.
2. Install faucet. If spout and supply lines are to be installed on deck of tub, mark the locations and drill pilot holes from acrylic side of product. Using proper size hole saw, drill spout, hand shower and supply lines from acrylic side of the product.

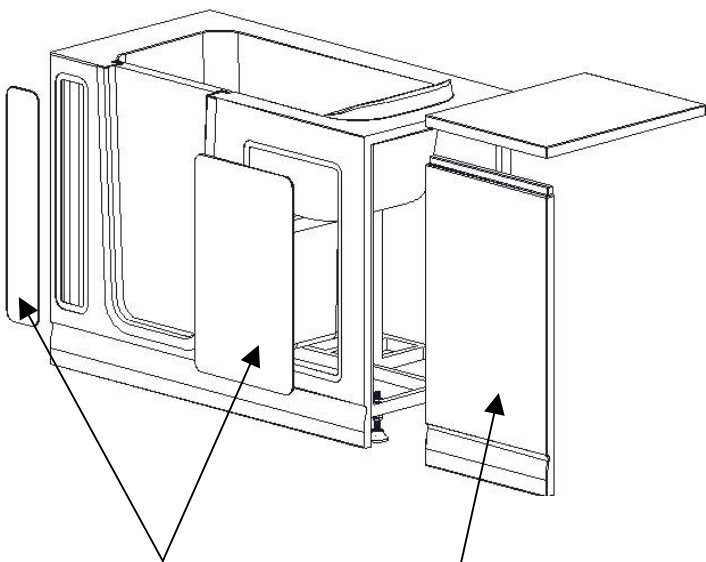
NOTE: It is best to position the diverter directly over the overflow for easy installation. The sequence would be: handle, handle, diverter, spout and then handheld.

3. Standard installation - After framing is complete (see attached diagrams), set product in place to check fit and make certain that the tub can be properly leveled. (Caution: if walk-in bathtub is not resting on all five leveling feet, water will not drain properly and may cause the door to leak).

WARNING: Never allow the weight of the tub to be supported by wood support stringers and **do not use tile flange on the 60x32 to screw or nail in place**, as this will result in product failure and void the warranty.

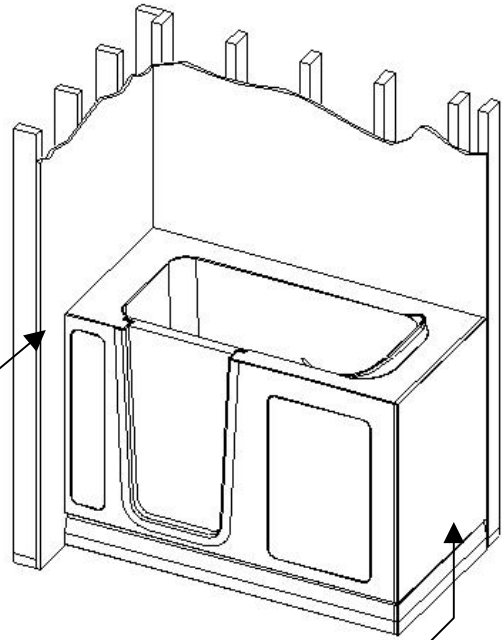
4. Verify the product is completely level by checking tub deck surface and ensure all 5 leveling feet are touching the ground.
5. Electrical connection is made by simply plugging pump cord (shipped with cord and plug) into specified dedicated 120V, 20A, GFCI outlet.
6. After plumbing and electrical connections have been made the tub should be cleaned of dirt and debris.
7. Installation is not complete until the bath has been water tested in place.

INSTALLATION DETAILS ST 5126

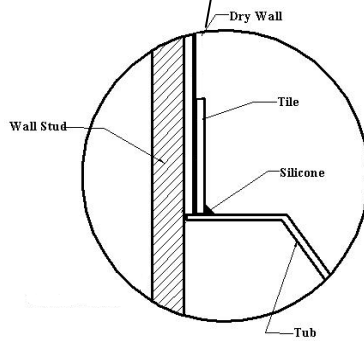


Motor/Pump
Access Panels

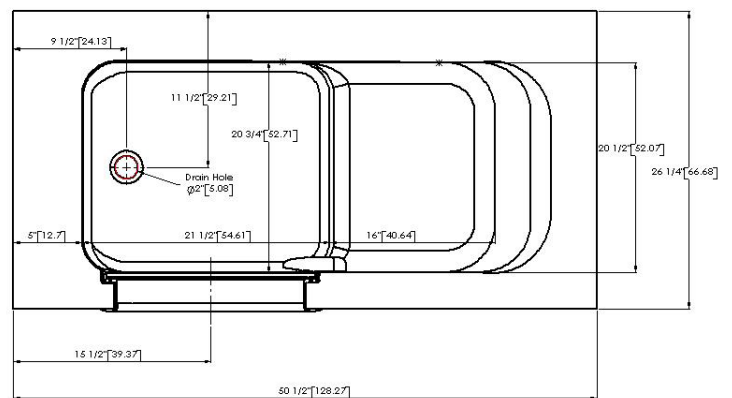
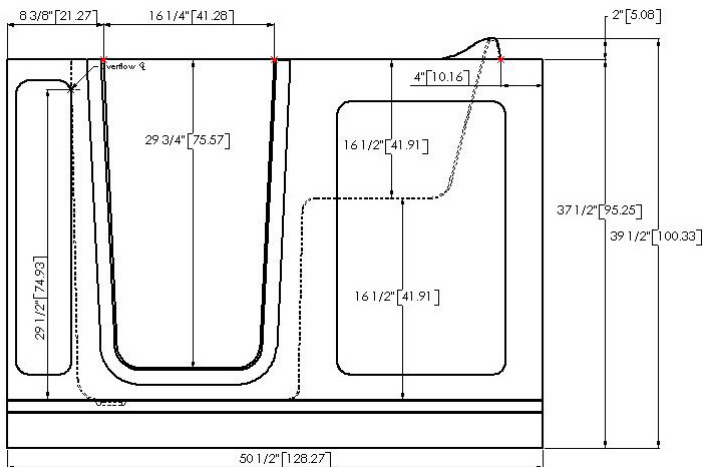
Optional Extension
Kit



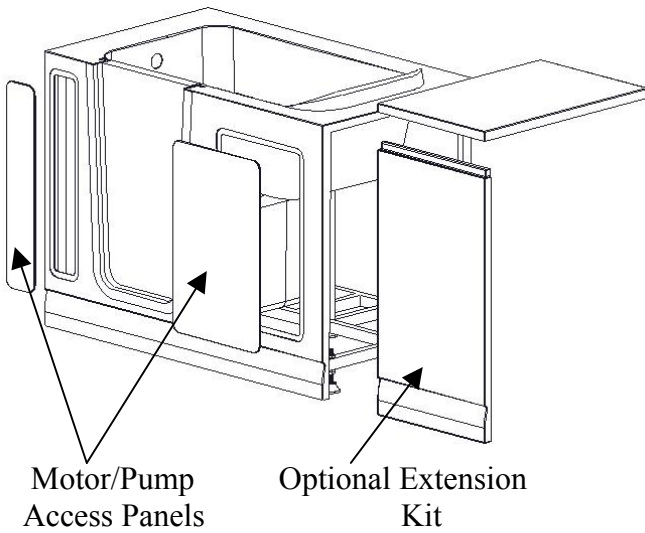
Optional End Panel



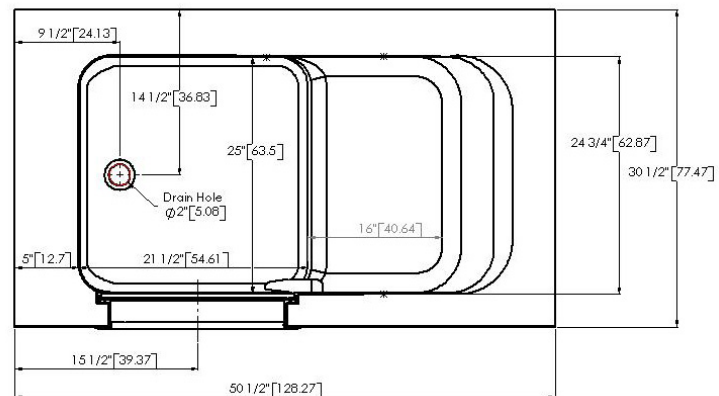
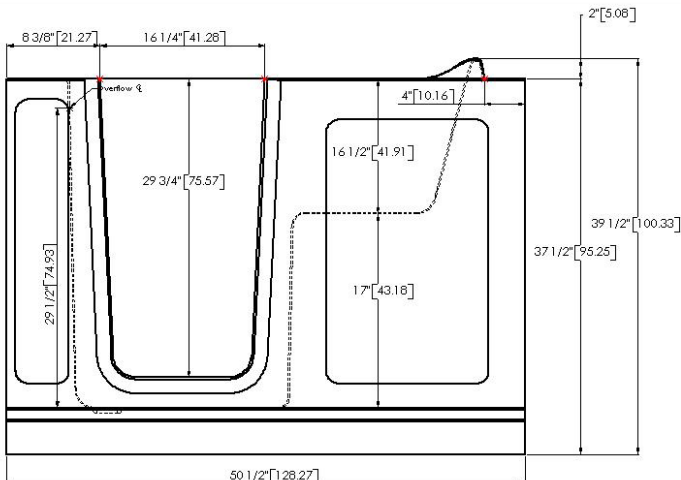
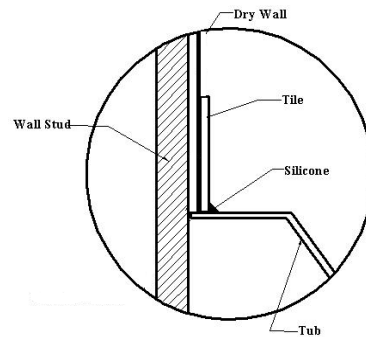
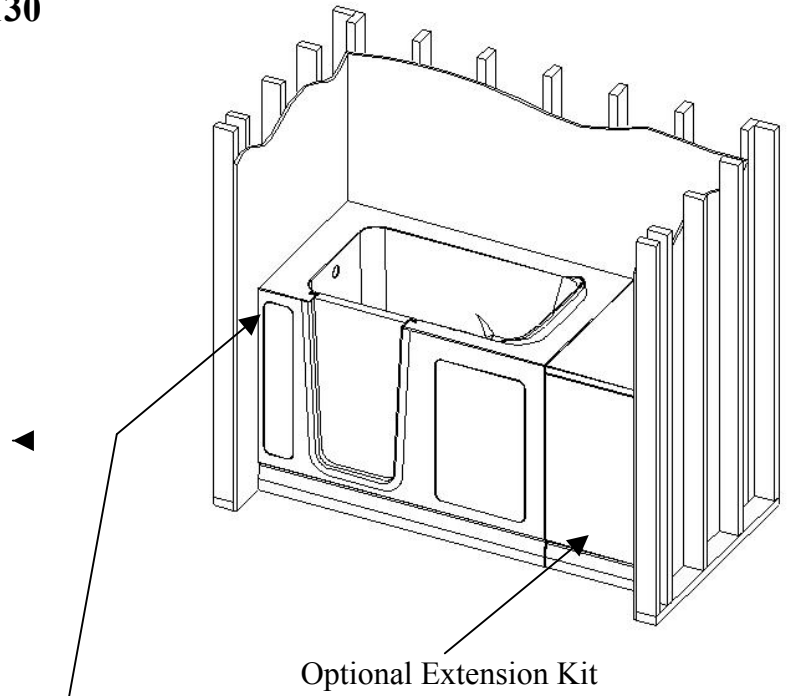
Standard Installation



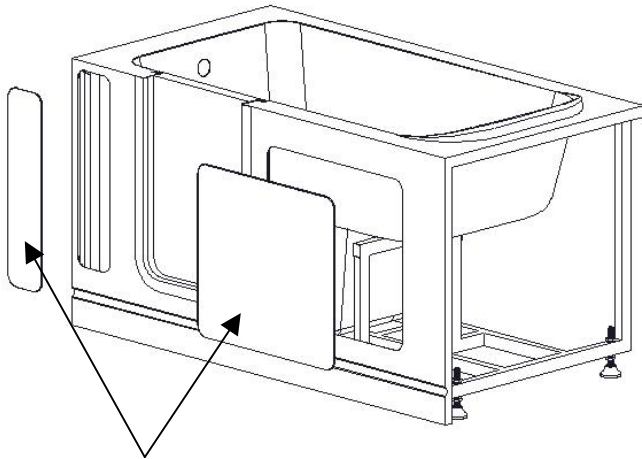
INSTALLATION DETAILS ST 5130



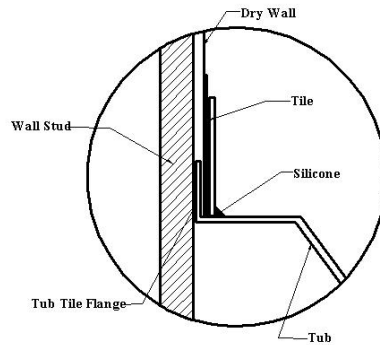
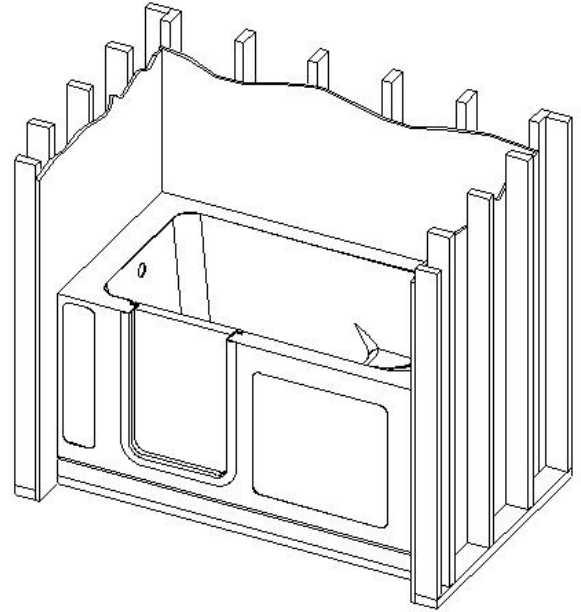
Standard Installation



INSTALLATION DETAILS ST 6032

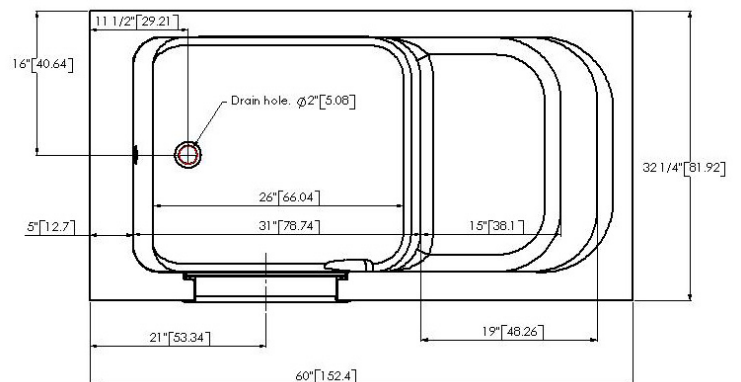
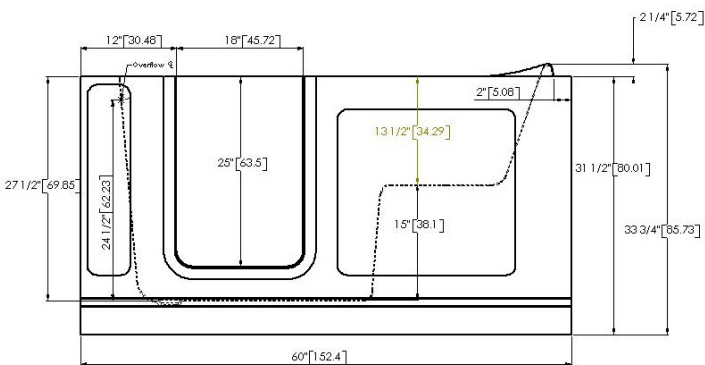


Motor/Pump
Access Panels



IMPORTANT

Do not use tile flange to
screw or nail tub in place.



OPERATING INSTRUCTIONS

OPERATING INSTRUCTIONS:

1. Enter the Safety Tub®, close the door and fill the bath at least to 3 inches below the overflow before activating the pump.
2. The pump will be activated by the on/off control. Each depression of the button changes cycles. Do not repeatedly/rapidly depress the switch. It may take a few seconds before an energized system is visible.
3. Adjust the direction and rate of flow of each jet to your liking by moving the nozzle for direction and turning either the outside ring or the nozzle clockwise or counter-clockwise for flow (some jets adjust the flow with the outside ring and some with the nozzle).
4. If your Safety Tub is equipped with a heater, the heating element will automatically turn on when the whirlpool is turned on. The heater is designed to maintain the water temperature longer.
5. If any factory installed fittings are removed, do not operate the unit. A safety hazard may be present.
6. Do not use bubble bath when any pumps are operating.
7. Bath oils may be used; however their frequent use will require more frequent purging/cleaning of the systems.
8. Both air and whirlpool systems are plumbed so that water will drain from the plumbing after each use.
9. There are no user serviceable parts located under the tub.

PURGE CYCLE

All air blowers are equipped with a purge cycle to remove residual water from the lines. The cycle will begin approx. 20 minutes after the unit is turned off and will continue for 5-10 minutes. Do not be alarmed when the cycle begins.

IN LINE HEATERS

If your bath is equipped with an optional in line heater it will operate only when the pump is on. It is always on when the whirlpool pump is on. Note: the in line heater is designed to keep your water warmer longer but is not designed to increase the water temperature. Heat settings are not adjustable.

CLEANING AND MAINTENANCE:

Pump and pipe circulation system should be flushed before first use and on a monthly basis when product is under normal use. Below are the recommended procedures for cleaning:

- **Do not run whirlpool dry.** Fill the tub with hot water 2-3 inches above the jets and add 2-3 teaspoons of low foaming detergent such as dishwashing machine detergent.
- Switch on whirlpool and run for 10 minutes.
- Drain tub completely.
- Fill tub with cold water above jets.
- Switch on whirlpool and run for 15 minutes.
- Drain tub completely.
- **Cleaning The Suction Cover.** Clean and remove any hair or lint from the suction cover. Monthly, unscrew the suction cover and clean away any hair, lint or debris from the cover and housing, then remount the cover in place. **Never operate the unit with the safety suction cover off.**

Do not use abrasive cleaners as they will scratch and dull the surface of the acrylic.

Plaster can be removed using a wooden STICK. **DO NOT USE METAL SCRAPER, WIRE BRUSHES OR WATER BARRIER WALLBOARD OR OTHER HARSH ABRASIVE TOOLS.**

Usually a mild detergent will remove construction debris. More stubborn debris may be removed with denatured alcohol, or Clorox Soft Scrub® cleaner.

Light scratches and dulled areas may be restored to original luster by rubbing with an automotive type cleaning compound such as DuPont White Polishing Compound®.

LIMITED WARRANTY COVERAGE

All items manufactured by Safety Tubs® are warranted in accordance with the following warranty.

This warranty is extended to the first purchaser does not extend to products previously used as display models or products that have been modified or repaired by anyone else but Safety Tubs® unless approved by Safety Tubs®. Safety Tubs® walk-in bathtubs come with a five year warranty on walk-in bathtub and components, one year on fixtures and lifetime warranty on the door seal.

WARRANTY LIMITATIONS

In the event of a defect in the material or workmanship of a product, defective products will be repaired or replaced by Safety Tubs®. Safety Tubs® shall not be liable for the expense of removing defective products or installing replacement products or the expense of adjoining components such as tile, marble, wall panels, ceilings etc. No liability shall exist for incidental or consequential damages caused in whole or part by any defect in Safety Tubs® products. No warranty, expressed or implied, including any warranty of merchantability or fitness for a particular purpose, shall apply after the warranty period described above. This warranty does not cover defects or damage caused by the common carrier or installer from, without limitation, any of the following: careless handling, lifting whirlpools by the piping, modification of the product for any reason, improper installation (including installation not in accordance with instructions provided with the unit), and acts of God.